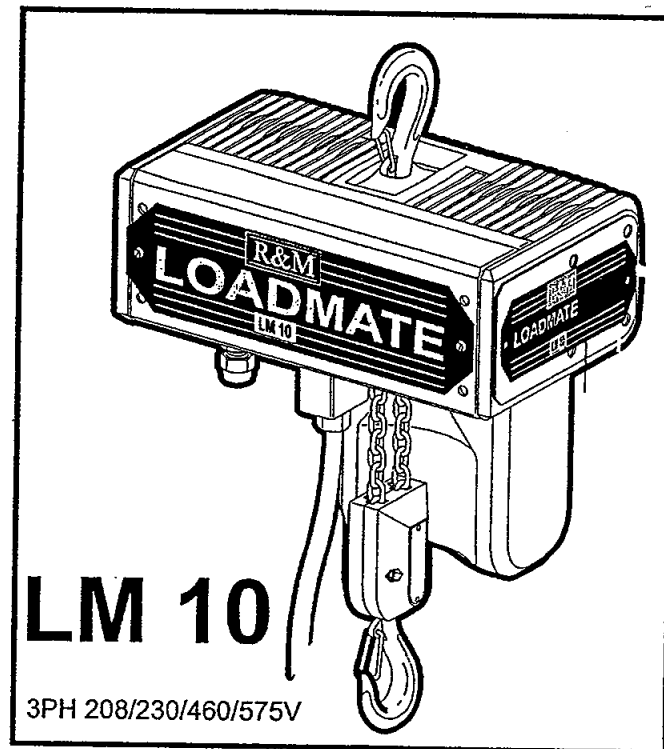




R&M Materials Handling, Inc
Springfield, Ohio USA
☎: 800 955-9967
web: www.rmhoist.com

LoadMate® Chain Hoist
LM10 Manual
Revision 4

R&M LOADMATE CHAIN HOIST



INSTALLATION, OPERATION AND MAINTENANCE INSTRUCTIONS

JOB No.: _____

SERIAL No.: _____

(RECORD HOIST SERIAL NUMBER FOR FUTURE REFERENCE)

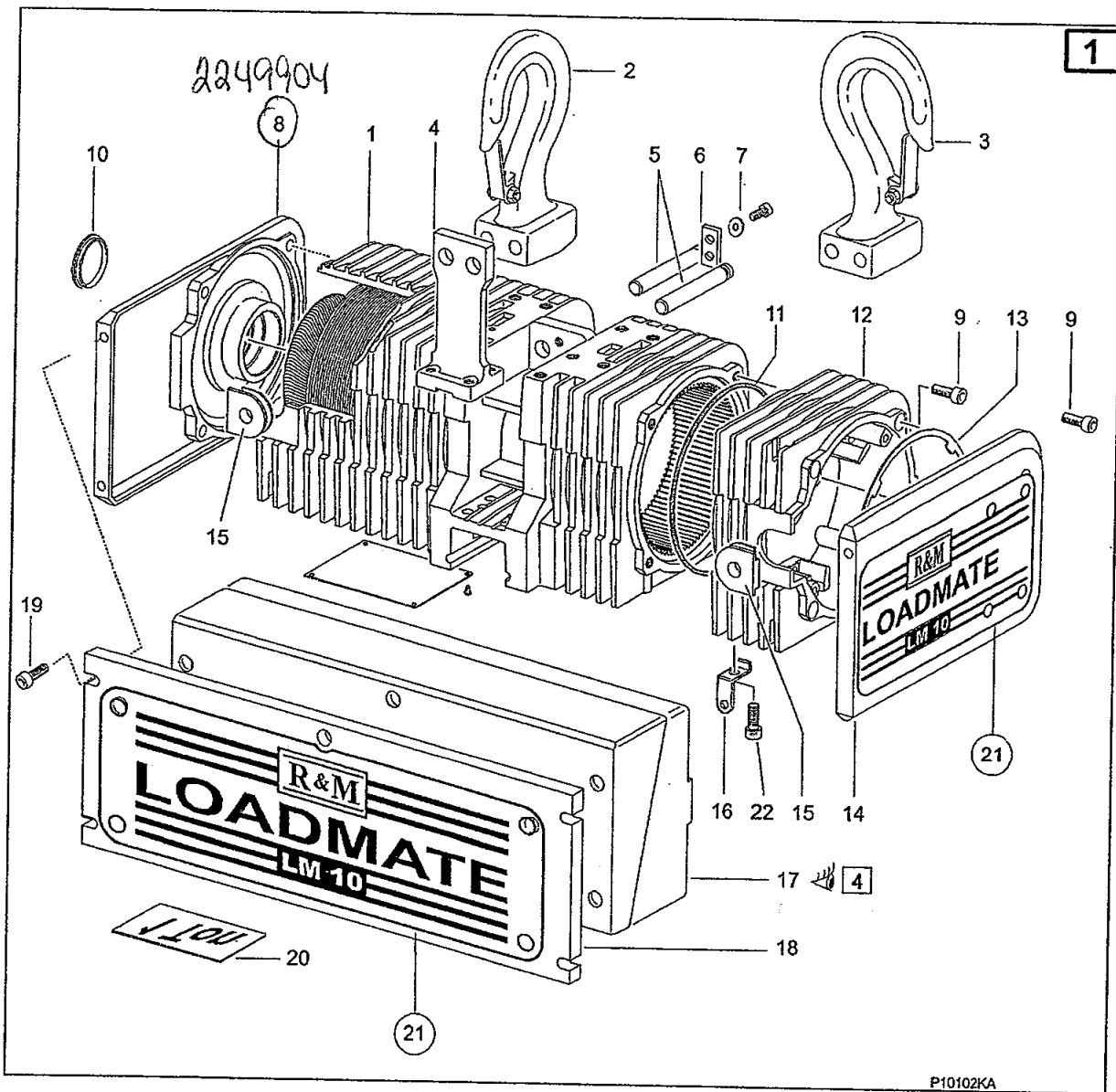


Index of Exploded Illustrations and Parts Lists

HOIST BODY.....	2
GEAR MECHANISM & VERSION A BRAKE.....	4
GEAR MECHANISM & VERSION B BRAKE.....	6
LIFTING ASSEMBLY.....	8
CONTROLS.....	10
PUSHBUTTON.....	12
UPPER & LOWER LIMIT SWITCH.....	14

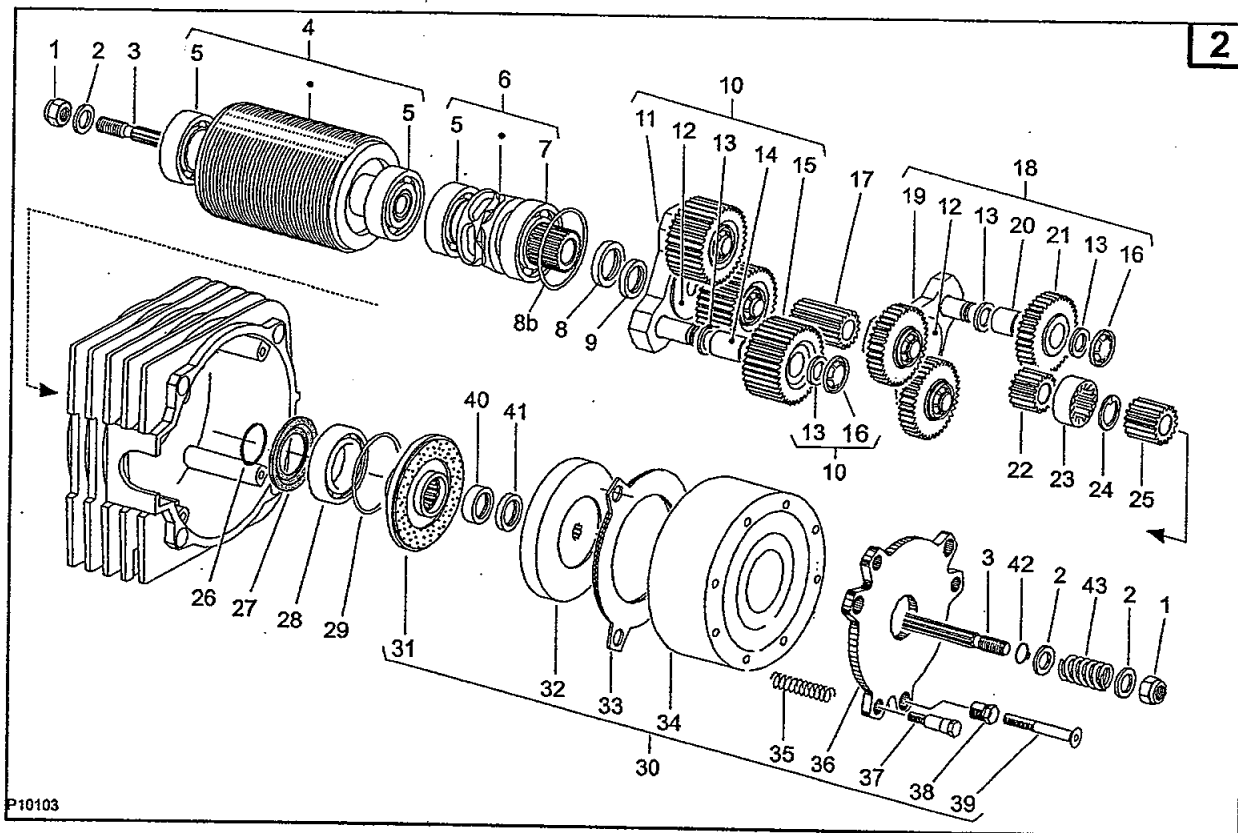


Hoist Body





Gear Mechanism & Version A Brake



Version A brake has been replaced by Version B brake, which are interchangeable.

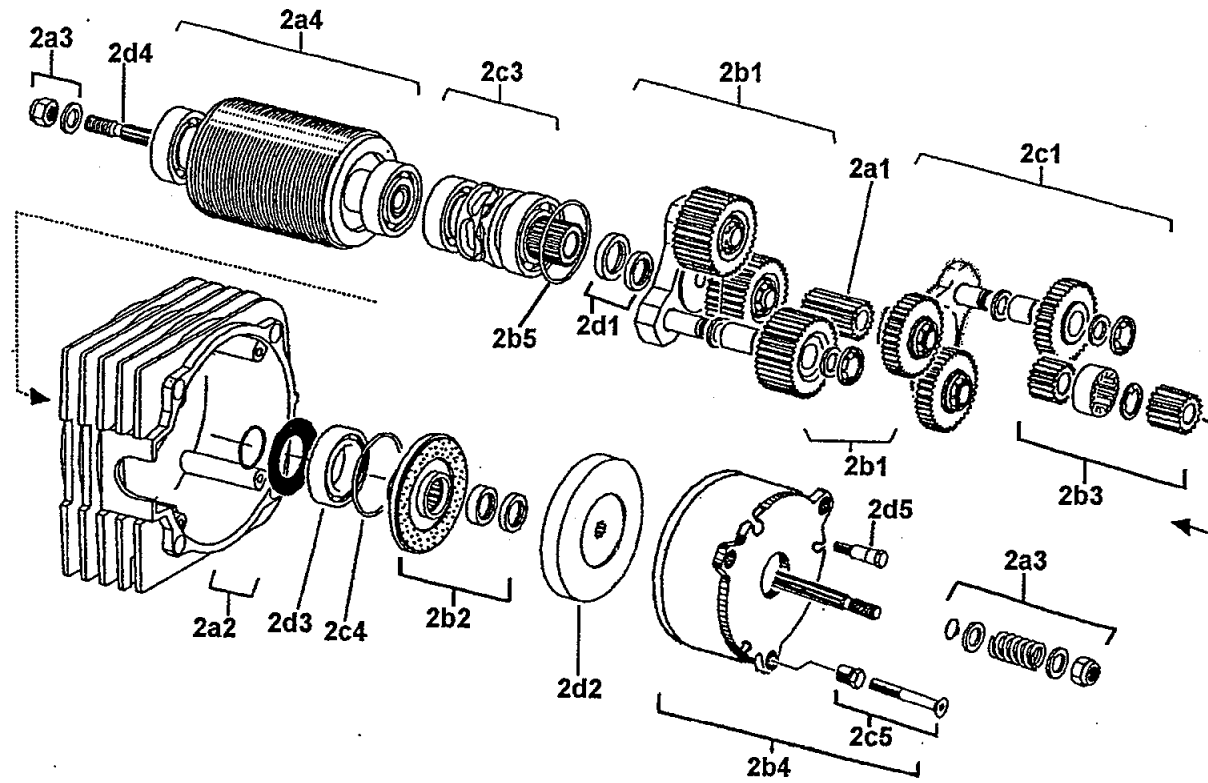


Gear Mechanism & Version A Brake

Item	Part Number	Description	Comments	Qty
1		Self locking nut		2
2		Washer		3
3	2241501	Gear input shaft assembly		1
4	2245001	Rotor assembly		1
5		Bearing		3
6	2249941	Chain sprocket assembly	=5+7	1
7		Bearing		1
	2249971	Seal, retaining ring, bushing set	=8+8b+9	1
8		Bush		1
8b		Retaining ring		1
9		Seal		1
10	2249938	Planetary gear assembly, 2nd step	16 FPM	1
10	2240552	Planetary gear assembly, 2nd step	32 FPM	1
16		Retaining ring		6
17	2240503	Pinion, 2nd step		1
18	2249937	Planet gear assembly, 1st step		1
19		Planet carrier		1
20		Needle bearing		3
21		Planet gear, 1st step		3
	2249981	Coupling pinion set	=22+23+24+25	1
22		Pinion, 1st step		1
23		Coupling		1
24		Snap ring		1
25		Coupling part		1
	2249972	Metal sealing ring set	=26+27+28+29	1
26		Toothed lock ring		1
28	8176214	Bearing 60072RS1		1
29		O-ring		1
30	2241075	Brake & torque limiter assy 190VDC	380V-480V	1
30	2241076	Brake & torque limiter assy 100VDC	200V-230V	1
30		Brake & torque limiter assy 240VDC	500-575V	1
31	2241018	Torque limiter friction disc assy	=31+40+41	1
32	2241015	Limiters & brake disc		1
33		Friction disc		1
34	2241010	190VDC Coil with friction disc	380V-480V	1
34	2241011	100VDC Coil with friction disc	200V-230V	1
34	2241012	240VDC Coil with friction disc	500V-575V	1
35	2241030	Brake spring		1
36	2241070	Anchor disc		1
37	2241027	Screw		3
38		Adjustment nut		3
39	2249951	Screw M6x40 & nut kit	=38+39	3
40		Locating bushing		1
41		Lipseal		1
42		O-ring		1
43	2249940	Torque limiter spring set	=1+1+2+2+2+43+42	1



Gear Mechanism & Version B Brake





R&M Materials Handling, Inc
Springfield, Ohio USA
☎: 800 955-9967
web: www.rmhoist.com

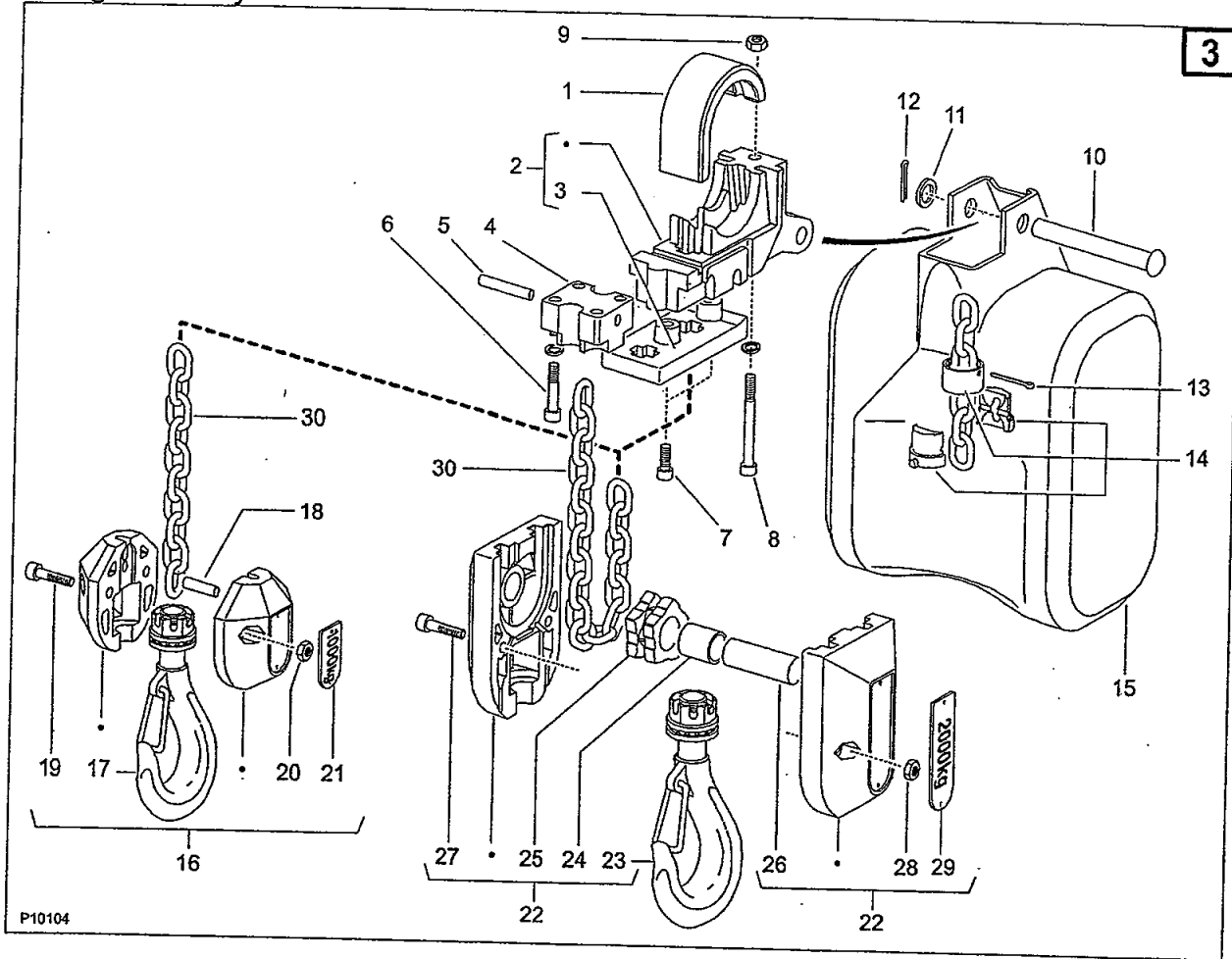
LoadMate® Chain Hoist
LM10 Spare Parts
Revision 5

Gear Mechanism & Version B Brake

Item	Part Number	Description	Comments	Qty
2a1	2240503	Pinion		1
2a2	2249970	Seal/ring set		1
2a3	2249940	Limiter spring set		1
2a4	2245001	Rotor assembly		1
2b1	2249938	Planetary gear assembly, 2nd step	16 fpm	1
2b1	2240552	Planetary gear assembly, 2nd step	32 fpm	1
2b2	2241018	Limiter friction disc set		1
2b3	2249981	Brake coupling set		1
2b4	2248001	Coil assembly 190 VDC	380 to 480 V	1
2b4	2248000	Coil assembly 100 VDC	200 to 230 V	1
2b4	2248003	Coil assembly 240 VDC	500 to 575 V	1
2b5	8287225	Retaining ring		1
2c1	22449937	Planetary gear assembly, 1st step		1
2c3	2249941	Chain sprocket assembly		1
2c4	8386202	O-ring		1
2c5	2249951	Brake limiter screw set		1
2d1	2249980	Sprocket parts		1
2d2	2241015	Clutch disc 1		1
2d3	8176214	Bearing		1
2d4	2241501	Shaft		1
2d5	2241027	Screw		3



Lifting Assembly



P10104



R&M Materials Handling, Inc
 Springfield, Ohio USA
 ☎: 800 955-9967
 web: www.rmhoist.com

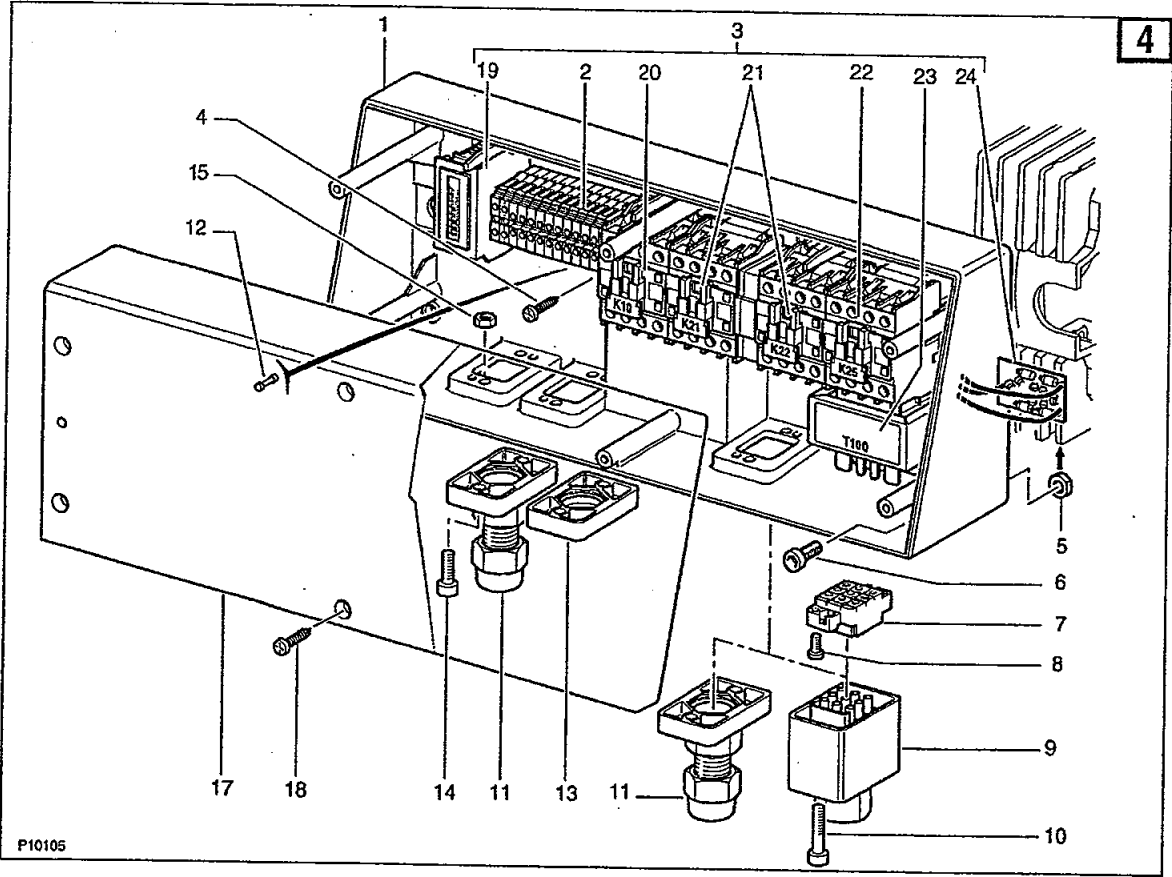
LoadMate® Chain Hoist
 LM10 Spare Parts
 Revision 5

Lifting Assembly

Item	Part Number	Description	Comments	Qty
1	2244011	Upper chain guide		1
2	2244014	Lower chain guide set	=2+8+9	1
		Lower chain guide		1
3	2249936	Rubber plate set		1
		Rubber plate		1
4	2243523	Chain anchor set		1
		Slack fall		1
5		Dowel		1
7		Screw		1
8		Screw		1
9		Screw		1
10		Suspension pin		1
11		Washer		1
12		Split pin		1
13		Split pin		1
14	2249942	Slack fall stop assembly		1
15	2249985	Chain bucket & hardware 25 ft	=10+11+12+15	1
15	2249986	Chain bucket & hardware 50 ft	=10+11+12+15	1
15	2249987	Chain bucket & hardware 100 ft	=10+11+12+15	1
15	2249988	Chain bucket & hardware 150 ft	=10+11+12+15	1
16	2249983	Load block complete assembly 1 fall		1
17	2217004	Hook assembly (1 fall)		1
17	2212024	Safety latch (1 fall)		1
18		Shaft		1
19		Screw		2
20		Self locking nut		2
21	2213333002	Self adhesive load plate - 1/2 ton	1 fall	1
21	2213333004	Self adhesive load plate - 1 ton	1 fall	1
21	2213333009	Self adhesive load plate - 500 kg	1 fall	1
21	2213333011	Self adhesive load plate - 1000 kg	1 fall	1
22	2249984	Load block complete assembly 2 fall	2 fall	1
23	2242021	Hook assembly (2 fall)	2 fall	1
23a	2242017	Safety latch (2 fall)	2 fall	1
24		Self lubricating bushing	2 fall	1
25	2249977	Idler sprocket assembly	=24+25+26	1
26		Shaft		1
27		Screw		2
28		Self locking nut		2
29	2213333004	Self adhesive load plate - 1 ton	2 fall	2
29	2213333005	Self adhesive load plate - 2 ton	2 fall	2
29	2213333011	Self adhesive load plate - 1000 kg	2 fall	2
29	2213333012	Self adhesive load plate - 2000 kg	2 fall	2
30	2243500	Load Chain 6.8 x 17.8 standard		ar
	2241045	Chain fitting tool		1



Controls



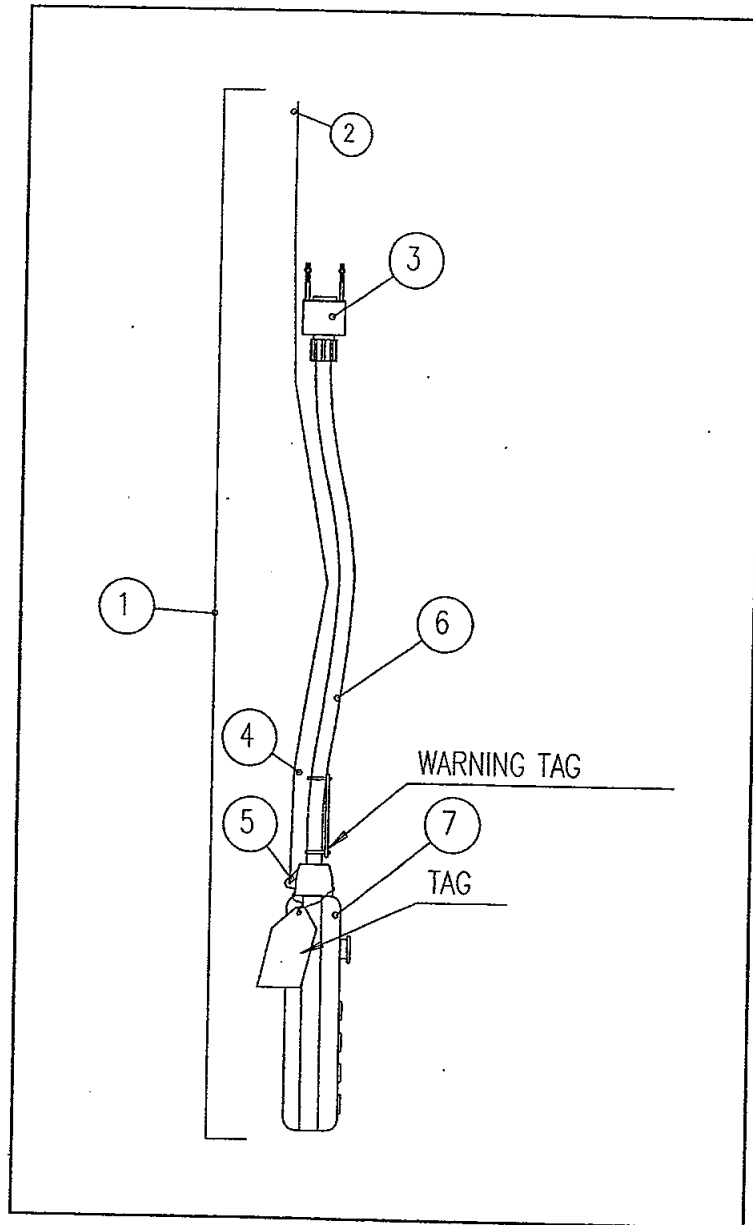


Controls

Item	Part Number	Description	Comments	Qty
1	2249935	Electrical box base unit		1
2		Terminal board		1
3	2245065	Control panel assy 460V/115V/60Hz	Two speed	1
3	2245064	Control panel assy 575V/115V/60Hz	Two speed	1
3	2245065	Control panel assy 230V/115V/60Hz	Two speed	1
3	2245062	Control panel assy 230/460V/115V	Single speed	1
4		Screw		9
5		Stop nut		4
6		Screw		4
7	7285039	Female connector + wire harness	Pushbutton pendant	1
8		Plastic screw		2
	2249945	Plug set for pushbutton		1
	2249946	Plug set for trolley		1
	2249982	Plug set for power supply		1
9		Plug		1
10		Screw		2
11	2219808	Cable gland set		1
12	2249979	Fuse		1
13	2219814	Closing plate set		1
13		Closing plate		1
14		Screw		4
15		Nut		4
17	2249934	Electrical box cover set		1
		Electrical box cover		1
18		Plastic Screw		6
19	2219092	Hour counter		1
20	8040111	Mainline contactor K10	208-575V/115V	1
21	8040112	Contactor lifting K21	208-575V/115V	2
22	8040300	Contactor lowering K22	208-575V/115V	1
22	8040113	Contactor K25	208-575V/115V	1
23	7983026	Transformer 208/230/460V/115V		1
23	7983027	Transformer 575V/115V		1
23	7983028	Transformer		1
23	7983029	Transformer		1
23	7983030	Transformer		1
24	2243060	Rectifier	575 V	1
24	2243061	Rectifier	230/460 V	1
	2218000	Pendant suspension set		1



Pushbutton





R&M Materials Handling, Inc
Springfield, Ohio USA
☎: 800 955-9967
web: www.rmhoist.com

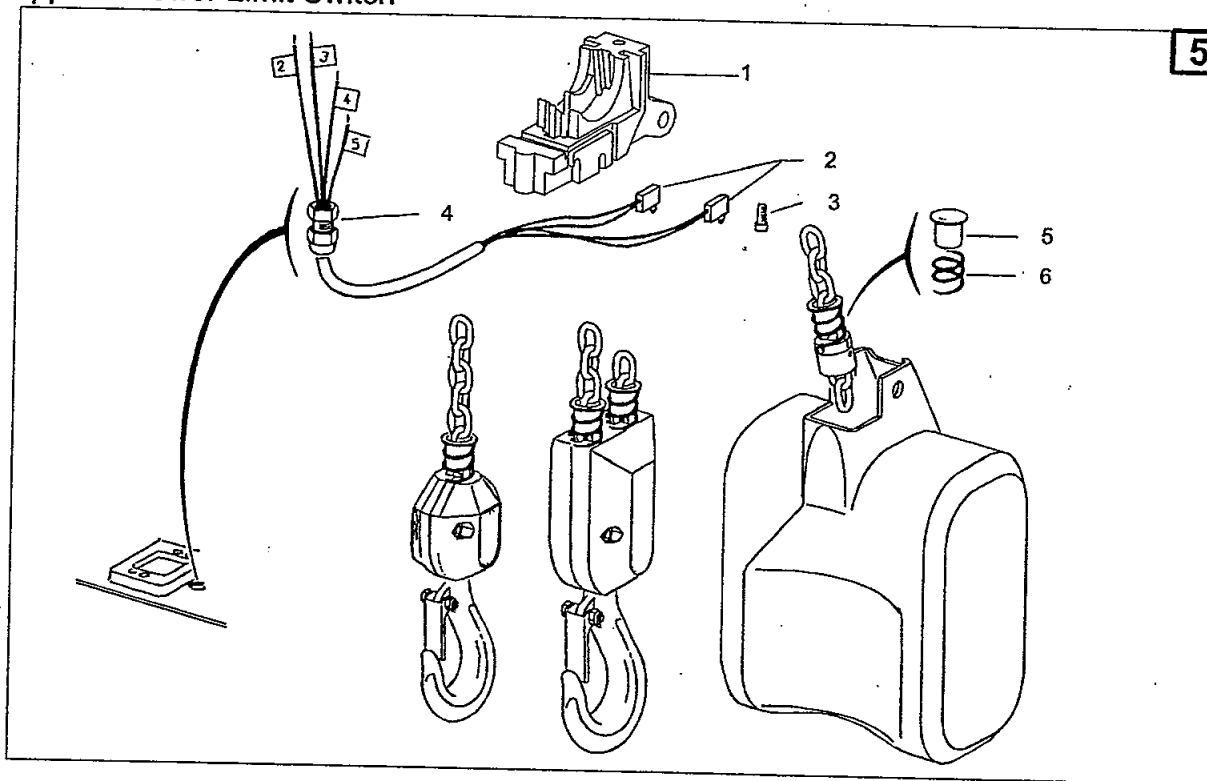
LoadMate® Chain Hoist
LM10 Spare Parts
Revision 5

Pushbutton

Item	Part Number	Description	Comments	Qty
1	2309673010	E-stop, SS Hoist pendant assy	10 ft hoist lift	1
1	2309673015	E-stop, SS Hoist pendant assy	15 ft hoist lift	1
1	2309673020	E-stop, SS Hoist pendant assy	20 ft hoist lift	1
1	2309674010	E-stop, TS Hoist pendant assy	10 ft hoist lift	1
1	2309674015	E-stop, TS Hoist pendant assy	15 ft hoist lift	1
1	2309674020	E-stop, TS Hoist pendant assy	20 ft hoist lift	1
1	2309675010	E-stop, SS Hoist, TS Trolley pendant	10 ft hoist lift	1
1	2309675015	E-stop, SS Hoist, TS Trolley pendant	15 ft hoist lift	1
1	2309675020	E-stop, SS Hoist, TS Trolley pendant	20 ft hoist lift	1
1	2309676010	E-stop, TS Hoist, TS Trolley pendant	10 ft hoist lift	1
1	2309676015	E-stop, TS Hoist, TS Trolley pendant	15 ft hoist lift	1
1	2309676020	E-stop, TS Hoist, TS Trolley pendant	20 ft hoist lift	1
2	2218000	Upper suspension kit		1
3	2219812	Plug kit		1
4	2212752001	Strain relief cable		1
5	2212753001	Suspension unit		1
6	RPC1612	Electrical cable		1
7	2212932011	E-stop, SS Hoist pushbutton assy		1
7	2212932012	E-stop, TS Hoist pushbutton assy		1
7	2212932032	E-stop, SS Hoist, TS Trolley pushbutton		1
7	2212932033	E-stop, TS Hoist, TS Trolley pushbutton		1



Upper & Lower Limit Switch



Item	Part Number	Description	Comments	Qty
	2243051	Complete limit switch	=1+2+3+4+5+6	1
1		Switch plate		1
2		Switch set		1
3		M8 x 25 screw		1
4		Cable gland		1
5	2249002	Spring plate	1 fall/2 fall	2/3
6	2249003	Spring	1 fall/2 fall	2/3
-	2249960	Set of springs & spring plates	Items 5 & 6	1