

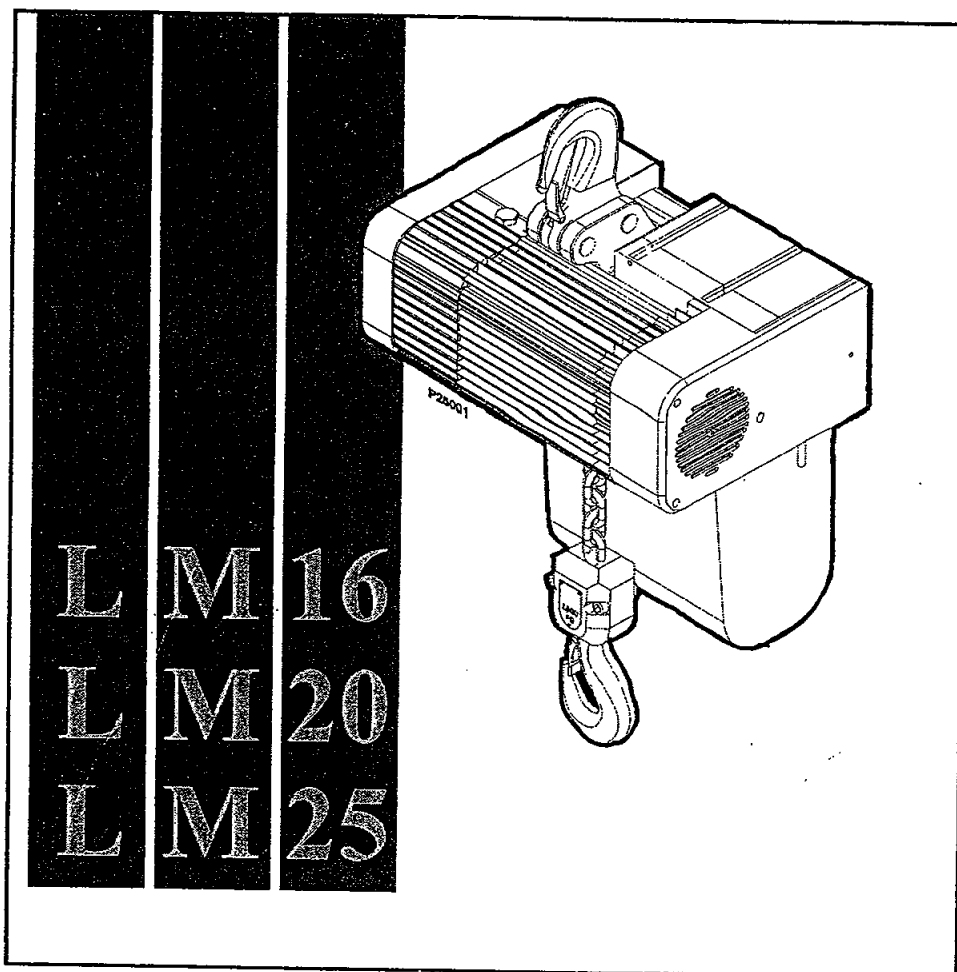


R&M Materials Handling, Inc
Springfield, Ohio USA

☎: 800 955-9967
web: www.rmhoist.com

LoadMate® Chain Hoist
LM16-20-25 Manual
Revision 2

R&M *LOADMATE* CHAIN HOIST



INSTALLATION, OPERATION AND MAINTENANCE INSTRUCTIONS

JOB NO.: _____

SERIAL NO.: _____

(RECORD HOIST SERIAL NUMBER FOR FUTURE REFERENCE)



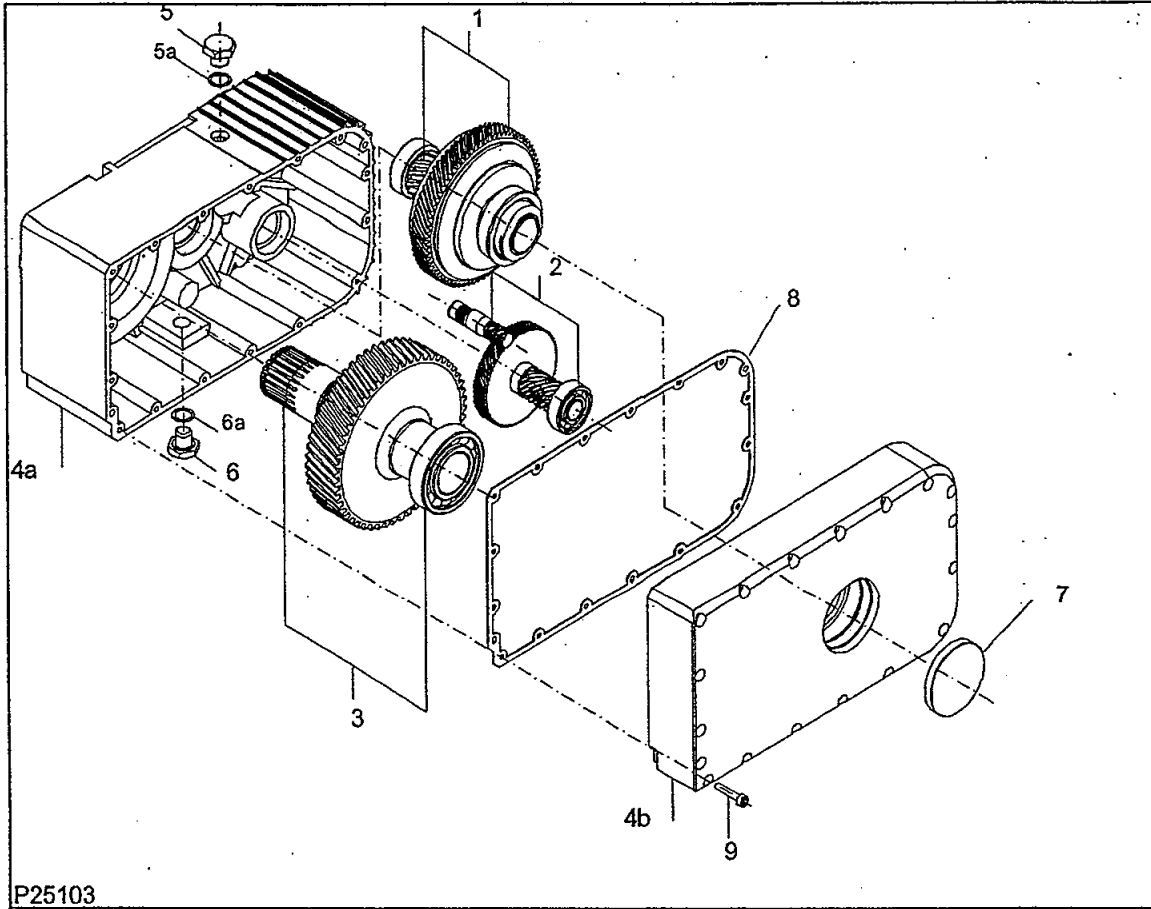
R&M Materials Handling, Inc
Springfield, Ohio USA
☎: 800 955-9967
web: www.rmhoist.com

LoadMate® Chain Hoist
LM16-20-25 Spare Parts
Revision 2

Index of Exploded Illustration and Parts Lists	
HOIST BODY	2
MOTOR & BRAKE.....	4
LIFTING ASSEMBLY	6
CONTROLS	8
PUSHBUTTON.....	10



Hoist Body





R&M Materials Handling, Inc
Springfield, Ohio USA
☎: 800 955-9967
web: www.rmhoist.com

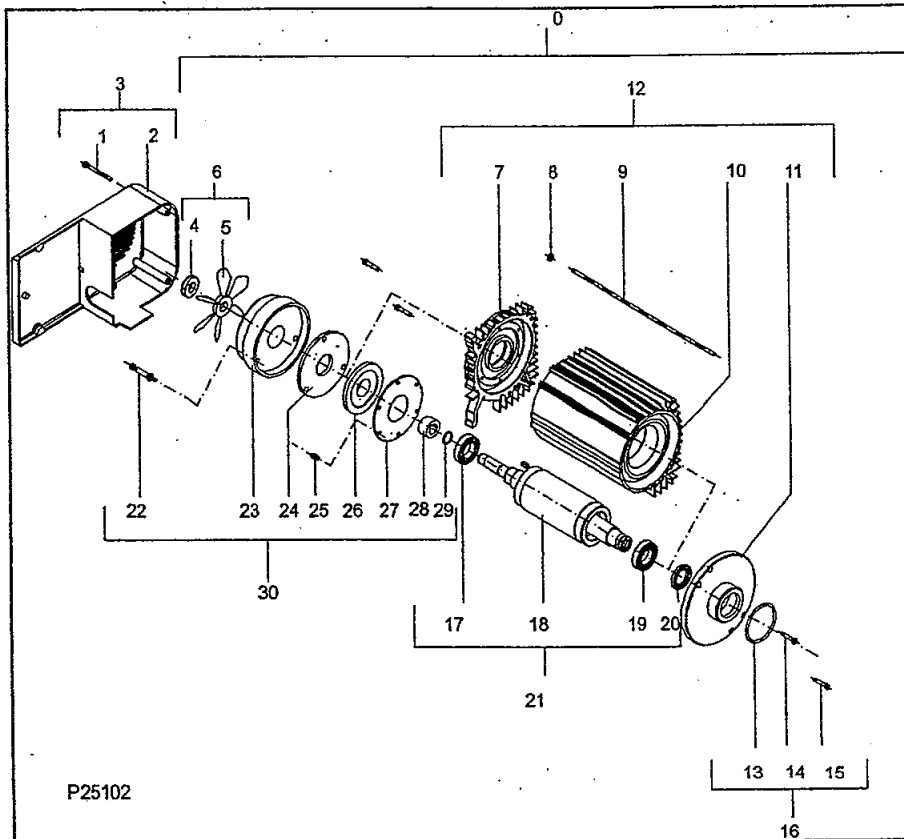
LoadMate® Chain Hoist
LM16-20-25 Spare Parts
Revision 2

Hoist Body

Item	Part Number	Description	Comments	Qty	Unit Price
	2260500	Gear case complete 113:1		1	
	2270500	Gear case complete 142.2:1		1	
1	2279904	Torque clutch assy 2nd reduction		1	
2	2279902	Gear assembly 1st reduction 113:1		1	
2	2279903	Gear assembly 1st reduction 144.2:1		1	
3	2279905	Gear assembly 3rd reduction		1	
4a	2270000	Gearcase housing		1	
4b	2270002	Gearcase cover		1	
5		Filler cap		1	
5a		Seal washer		1	
6		Breather		1	
6a		Seal washer		1	
7		Rubber seal		1	
8		Gasket		1	
9		Screw		1	
	2279923	Seal set	= 5+ 5a+ 6+ 6a+ 7+ 8	1	



Motor & Brake





R&M Materials Handling, Inc
Springfield, Ohio USA
☎: 800 955-9967
web: www.rmhoist.com

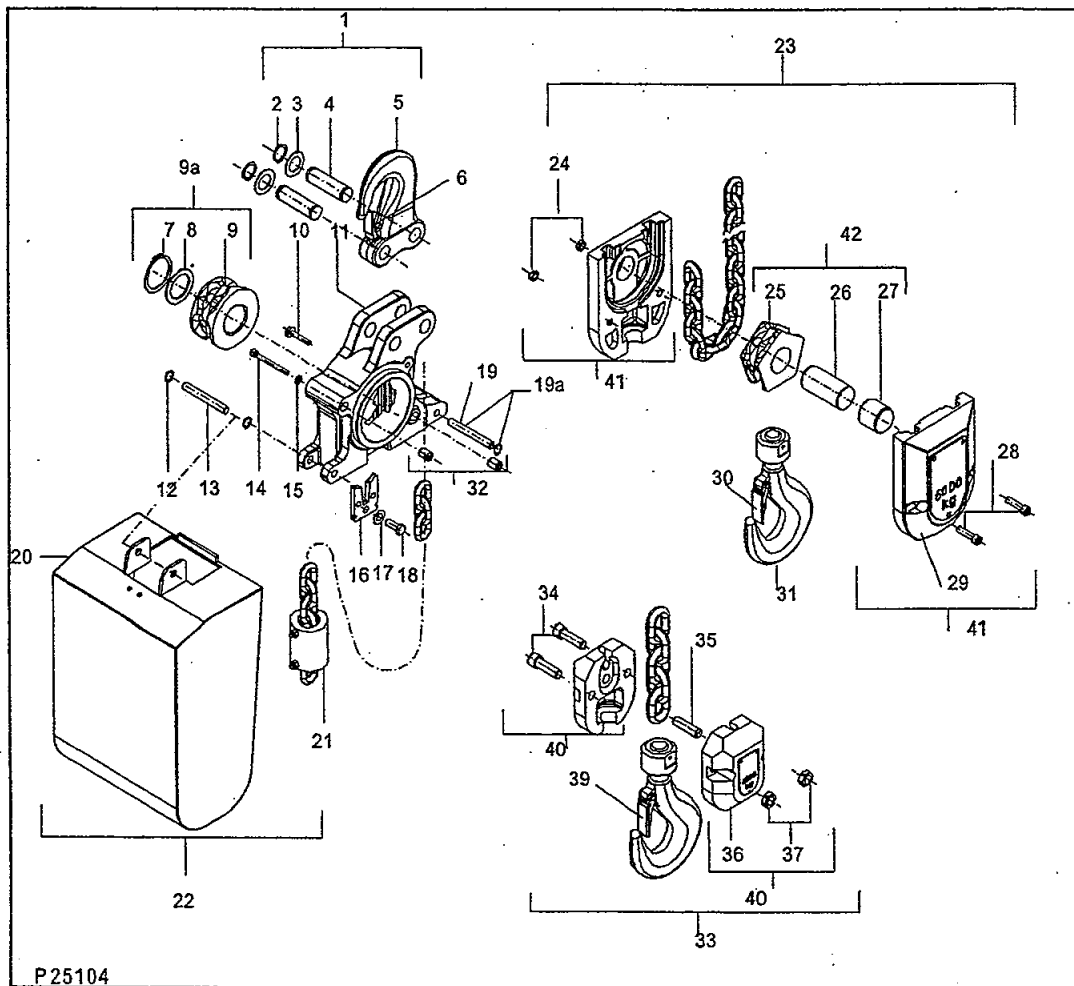
LoadMate® Chain Hoist
LM16-20-25 Spare Parts
Revision 2

Motor & Brake

Item	Part Number	Description	Comments	Qty	Unit Price
0	2265003	Complete motor & brake	208/230V	1	
0	2265004	Complete motor & brake 22450311	460V	1	
0	2265002	Complete motor & brake	575V	1	
3	2279901	End cap assembly	= 1+ 2	1	
6	2279906	Fan assembly	= 4+ 5	1	
12	2279907	Motor housing assembly	= 7+ 8+ 9+ 10+ 11	1	
16	2279929	Sealing kit	= 13+ 14+ 15	1	
21	2279909	Rotor assembly	= 17+ 18+ 19+ 20	1	
26	2279922	Brake friction disk		1	
30	2279956	Complete brake 95VDC	208/230V	1	
30	2279957	Complete brake 190VDC	460V	1	
30	2279958	Complete brake 225VDC	575V	1	



Lifting Assembly



P25104



R&M Materials Handling, Inc
 Springfield, Ohio USA
 ☎: 800.955-9967
 web: www.rmhoist.com

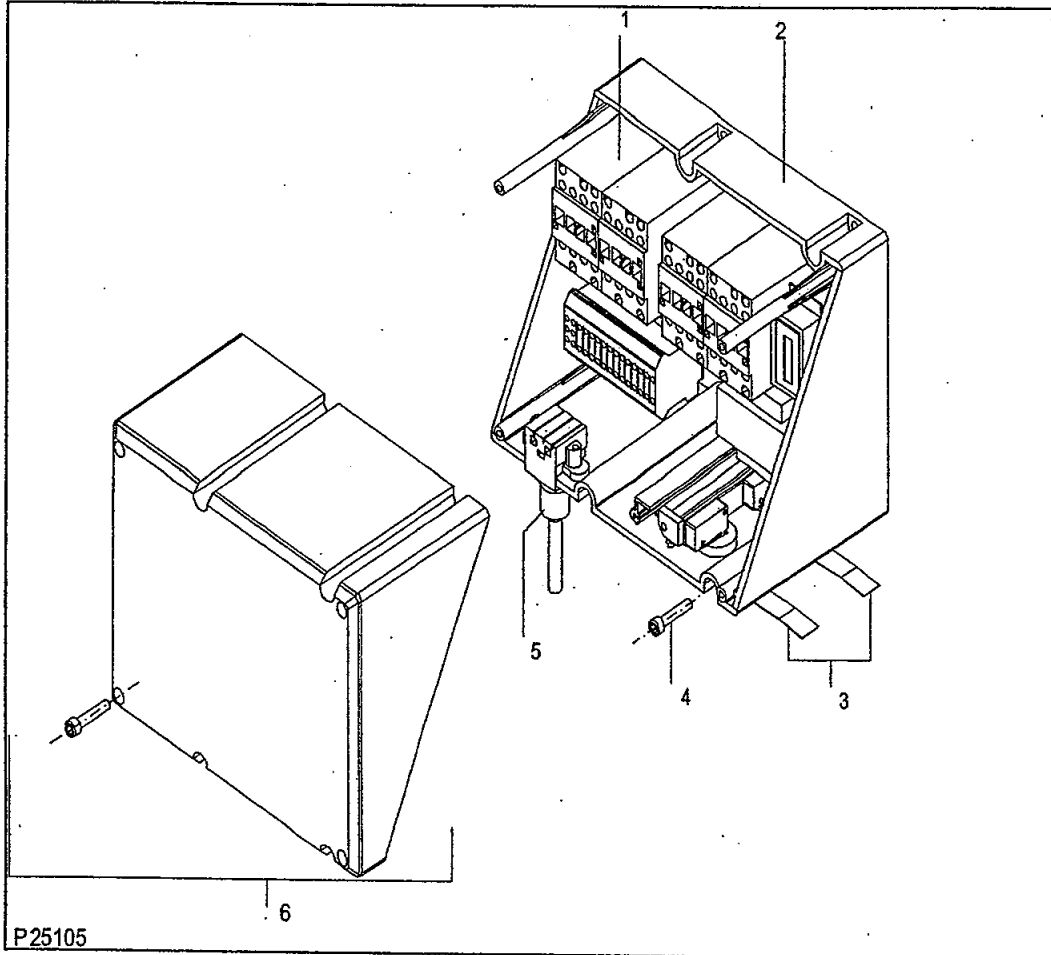
LoadMate® Chain Hoist
 LM16-20-25 Spare Parts
 Revision 2

Lifting Assembly

Item	Part Number	Description	Comments	Qty	Unit Price
1	2279955	Top hook set	=2+3+4+5+6	1	
6	2279913	Top hook safety latch		1	
9a	2269941	Load chain sprocket set - 9 x 27	C16	1	
9a	2279941	Load chain sprocket set - 11.3 x 31	C20/C25	1	
11a	2269943	Chain guide - 9 x 27 <i>50003058</i>	C16	1	
11a	2279941	Chain guide - 11.3 x 31	C20/C25	1	
13a	2279912	Chain bag mounting pin set		1	
20	2277500	Chain bag	50ft C16/40ft C25	1	
20	2277501	Chain bag	150ft C16/100ft C25	1	
20	2277502	Chain bag	150 ft C20/C25	1	
21	2269942	Slack fall stop 9 x 27	C16	1	
21	2279942	Slack fall stop 11.3 x 31	C20/C25	1	
22	2279933	Chain bag & pin hardware set	50ft C16/40ft C25	1	
22	2279934	Chain bag & pin hardware set	150ft C16/100ft C25	1	
22	2279935	Chain bag & pin hardware set	150 ft C20/C25	1	
23	2269921	Load block assy - 2 fall 9 x 27	C16	1	
23	2279927	Load block assy - 2 fall 11.3 x 31	C20/C25	1	
30	2269914	Hook safety latch - 2 fall 9 x 27	C16	1	
30	2279914	Hook safety latch - 2 fall 11.3 x 31	C20/C25	1	
31	2242021	Hook assembly 0.5T 1 fall	C16	1	
31	2267000	Hook assembly 1T 2 fall	C16	1	
31	2277000	Hook assembly 0.8T 1 fall	C20/C25	1	
31	2277001	Hook assembly 1.6T 2 fall	C20/C25	1	
33	2269922	Load block assembly - 1 fall 9 x 27	C16	1	
33	2279926	Load block assembly - 1fall 11.3 x 31	C20/C25	1	
38	2263500	Load chain - 9 x 27	C16	ar	
38	2273500	Load chain - 11.3 x 31	C20/C25	ar	
39	001513	Hook safety latch - 1 fall 9 x 27	C16	1	
39	2242017	Hook safety latch - 1 fall 11.3 x 31	C20/C25	1	
42	2269918	Chain sprocket - 2 fall 9 x 27	C16	1	
42	2279918	Chain sprocket - 2 fall 11.3 x 31	C20/C25	1	
44	2269002	Spring plate	C16	1	
44	2279002	Spring plate	C20/C25	1	
45	2269003	Spring	C16	1	
45	2279003	Spring	C20/C25	1	



Controls





R&M Materials Handling, Inc
Springfield, Ohio USA
☎: 800.955-9967
web: www.rmhoist.com

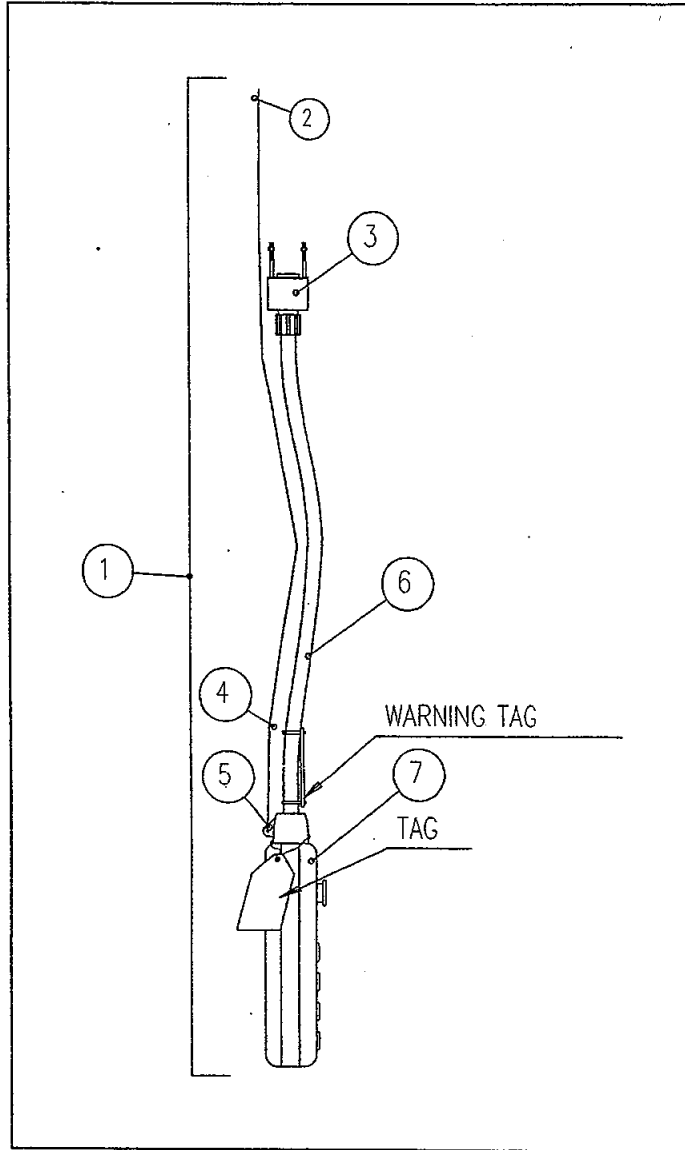
LoadMate® Chain Hoist
LM16-20-25 Spare Parts
Revision 2

Controls

Item	Part Number	Description	Comments	Qty	Unit Price
1	2263008	Control panel complete			
1	2263009	Control panel complete	575V/115V/60Hz	1	
2	2263001	Enclosure base		1	
3	2263050	Limit switch	C16	1	
3	2273050	Limit switch	C20/C25	1	
5	2249945	Pendant plug set		1	
5	2249946	Trolley plug set		1	
5	2249982	Power connector set		1	
6	2263001	Cover & screws		1	
	2309564005	Contacto r K10	208/230V/115V	1	
	2309564003	Contacto r K10	460/575V/115V	1	
	2309564006	Contacto r K21 or K22	208/230V/115V	1	
	2309564004	Contacto r K21 or K22	460/575V/115V	1	
	2309568004	Contacto r K25	208/230V/115V	1	
	2309568002	Contacto r K25	460/575V/115V	1	
	7983026	Transformer 208/230/460V-115V		1	
	7983027	Transformer 575V-115V		1	
		Rectifier		1	
	833133	F use 1.25 amps		1	



Pushbutton





R&M Materials Handling, Inc
Springfield, Ohio USA
☎: 800 955-9967
web. www.rmhoist.com

LoadMate® Chain Hoist
LM16-20-25 Spare Parts
Revision 2

Pushbutton

Item	Part Number	Description	Comments	Qty	Unit Price
1	2309673010	E-stop, SS Hoist pendant assy	10 ft hoist lift	1	
1	2309673015	E-stop, SS Hoist pendant assy	15 ft hoist lift	1	
1	2309673020	E-stop, SS Hoist pendant assy	20 ft hoist lift	1	
1	2309674010	E-stop, TS Hoist pendant assy	10 ft hoist lift	1	
1	2309674015	E-stop, TS Hoist pendant assy	15 ft hoist lift	1	
1	2309674020	E-stop, TS Hoist pendant assy	20 ft hoist lift	1	
1	2309675010	E-stop, SS Hoist, TS Trolley pendant	10 ft hoist lift	1	
1	2309675015	E-stop, SS Hoist, TS Trolley pendant	15 ft hoist lift	1	
1	2309675020	E-stop, SS Hoist, TS Trolley pendant	20 ft hoist lift	1	
1	2309676010	E-stop, TS Hoist, TS Trolley pendant	10 ft hoist lift	1	
1	2309676015	E-stop, TS Hoist, TS Trolley pendant	15 ft hoist lift	1	
1	2309676020	E-stop, TS Hoist, TS Trolley pendant	20 ft hoist lift	1	
2	2218000	Upper suspension kit		1	
3	2219812	Plug kit		1	
4	2212752001	Strain relief cable		1	
5	2212753001	Suspension unit		1	
6	RPC1612	Electrical cable		1	
7	2212932011	E-stop, SS Hoist pushbutton assy		1	
7	2212932012	E-stop, TS Hoist pushbutton assy		1	
7	2212932032	E-stop, SS Hoist, TS Trolley pushbutton		1	
7	2212932033	E-stop, TS Hoist, TS Trolley pushbutton		1	