



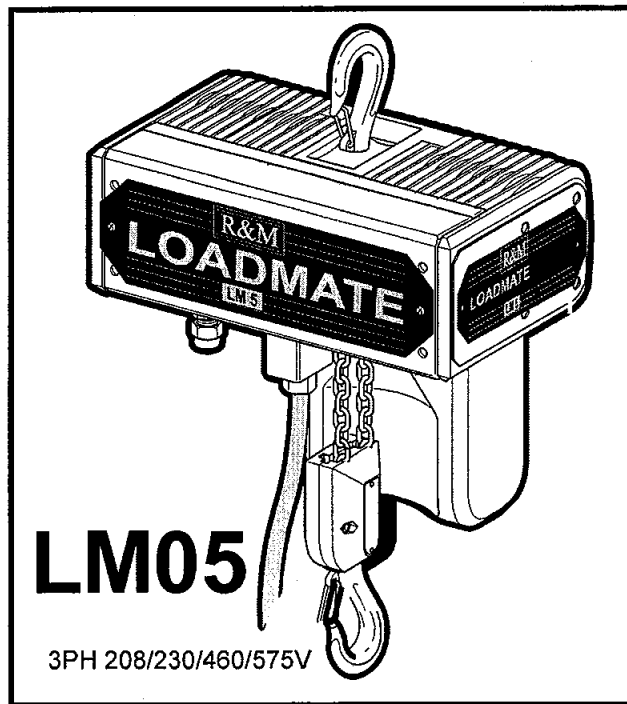
R&M Materials Handling, Inc
Springfield, Ohio USA
☎: 800 955-9967
www.rmhoist.com

LoadMate® Chain Hoist
LM05 Manual
Series II – Helical Gearing
November 2003

LM05

Series II – Helical Gearing

LOADMATE CHAIN HOIST



INSTALLATION, OPERATION AND MAINTENANCE INSTRUCTIONS

JOB NO.: _____

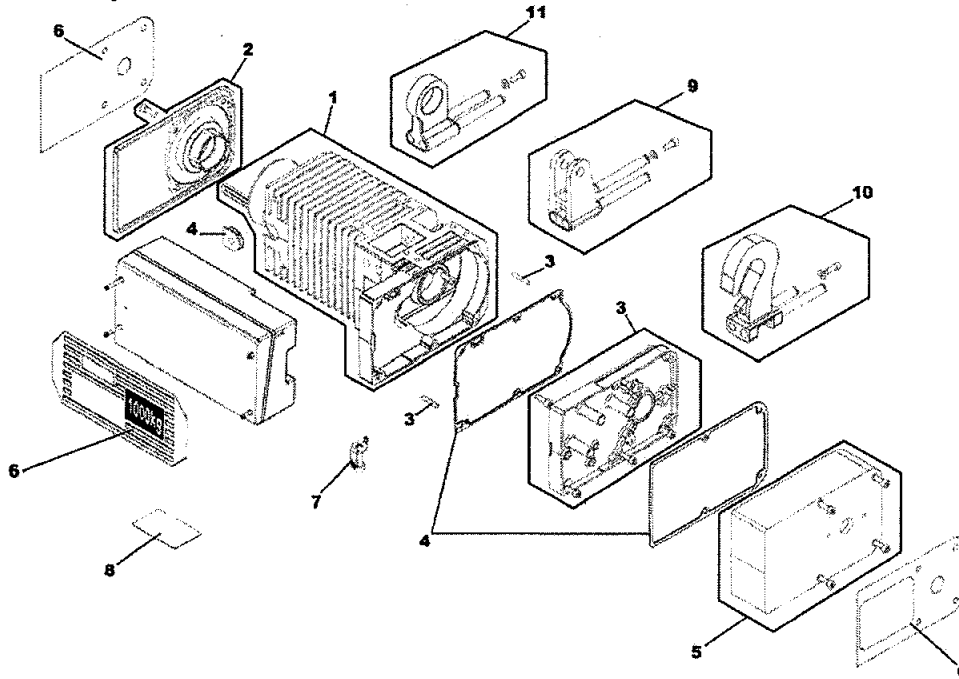
SERIAL NO.: _____

(RECORD HOIST SERIAL NUMBER FOR FUTURE REFERENCE)



6 Parts Illustration

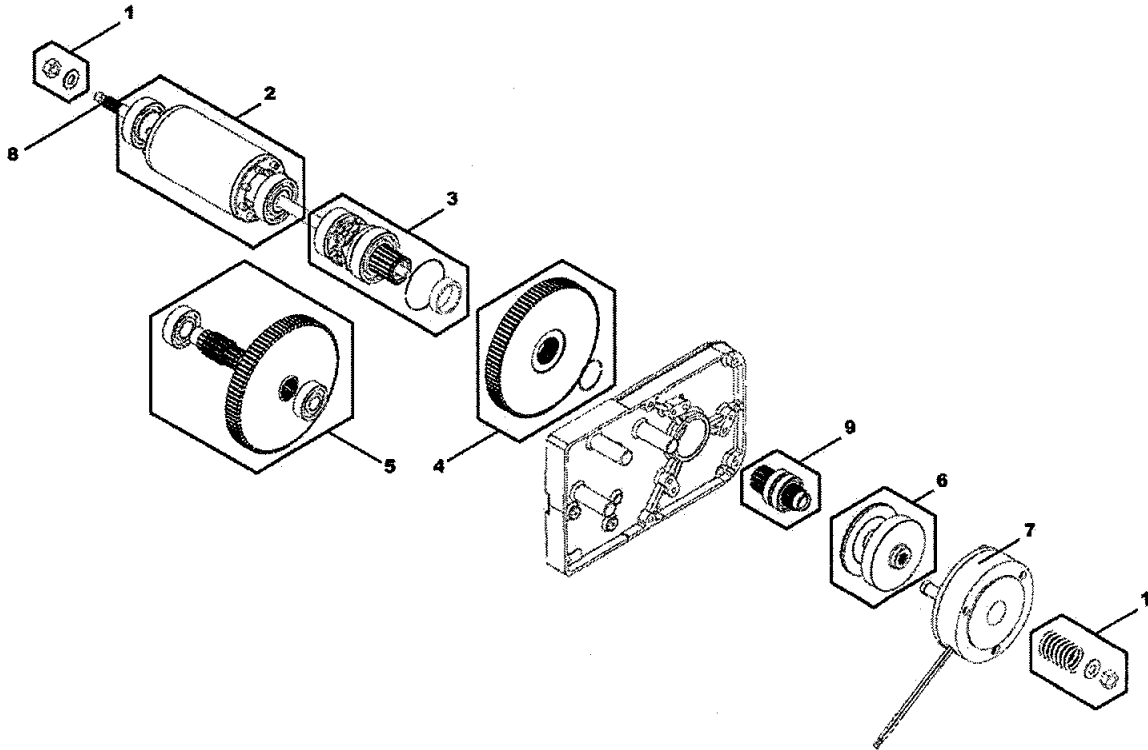
6.1 Hoist Body



Item	Part Number	Description	Comments	Qty
1	52309839	Hoist body + controls 460v two-speed	32/8 fpm 1-fall	1
1	52309840	Hoist body + controls 230v two-speed	32/8 fpm 1-fall	1
1	52309841	Hoist body + controls 230/460v single-speed	32 fpm 1-fall	1
1	52309842	Hoist body + controls 230/460v single-speed	16 fpm 1-fall	1
1	52309845	Hoist body + controls 575v two-speed	32/8 fpm 1-fall	1
2	52308741	Motor flange assembly		1
3	52308742	Gear cover set	Without rotary limit switch	1
3a	52305505	Gear cover/flange	For rotary limit switch	1
4	52308768	Gasket set	Gear & brake covers	1
5	52308747	Brake cover set		1
6	2406879008	Body branding label set		1
7	2218000	Pushbutton mounting bracket		1
8	2213309001	Self adhesive load plate – ¼ TON		1
8	2213309002	Self adhesive load plate – ½ TON		1
8	2213309003	Self adhesive load plate – 1 TON		1
8	2213309007	Self adhesive load plate – 250 kg		1
8	2213309008	Self adhesive load plate – 500 kg		1
8	2213309009	Self adhesive load plate – 1000 kg		1
9	2229921	Crosshead coupling set – perpendicular	Plus mounting hardware	1
9	2229920	Crosshead coupling set – parallel	Plus mounting hardware	1
10	2219955	Top hook set - perpendicular	Plus mounting hardware	1
10	2219954	Top hook set - parallel	Plus mounting hardware	1
11	52308832	Loop coupling set (RPT and RPTC trolleys)	Plus mounting hardware	
-	52308744	Set of caps	For inspection ports	
-	2212017	Steel plate safety latch	Top hook	1

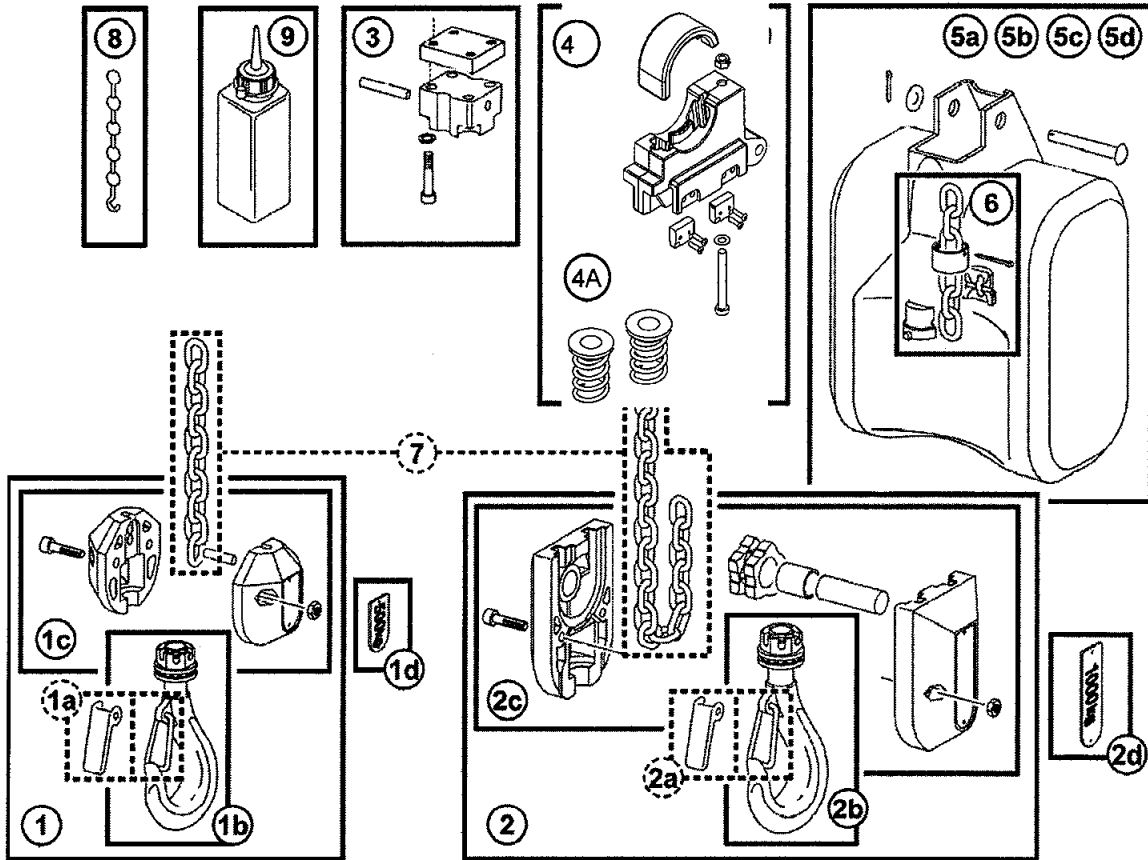


6.2 Helical Gear Mechanism & Brake



Item	Part Number	Description	Comments	Qty
1	2211016	Clutch spring set		1
2	52305652	Rotor assembly		1
3	52305659	Chain sprocket		1
4	52305473	Gear set		1
5	52308771	Gear set		1
6	52308772	Clutch set		1
7	52305489	Brake 190 Vdc	380 – 480v	1
7	52305488	Brake 100 Vdc	200 – 240v	1
7	52305490	Brake 230 Vdc	500 – 575v	1
8	52305461	Motor shaft		1
9	52305658	Pinion set		1

6.3 Lifting Assembly



Item	Part Number	Description	Comments	Qty
1	2219902	1-fall load block assembly	Standard hook	1
1	2212018	1-fall load block assembly	Self-locking hook	1
1a	001512	Safety latch – wire type	1-fall	1
1a	2212016	Safety latch – steel plate	1-fall	1
1b	2212011	Load hook	1-fall	1
1b	2217015	Load hook, self-locking	1-fall	1
1c	2219985	Load block halves with pin and hardware	1-fall	1
1d	2213308008	Capacity plate – 250kg	1-fall	2
1d	2213308009	Capacity plate – 500 kg	1-fall	2
1d	2213308001	Capacity plate – 1/4 TON	1-fall	2
1d	2213308002	Capacity plate – 1/2 TON	1-fall	2
2	2212020	2-fall load block assembly	Standard hook	1
2	2212028	2-fall load block assembly	Self-locking hook	1
2a	001515	Safety latch – wire type	2-fall	1
2a	2212017	Safety latch – steel plate	2-fall	1
2b	2217004	Load hook	2-fall	1
2b	2247015	Load hook, self locking	2-fall	1
2c	2219987	Load block halves with sprocket, axle	2-fall	1
2d	2213308015	Capacity plate set – 500 kg	2-fall	1
2d	2213308011	Capacity plate set – 1000 kg	2-fall	1



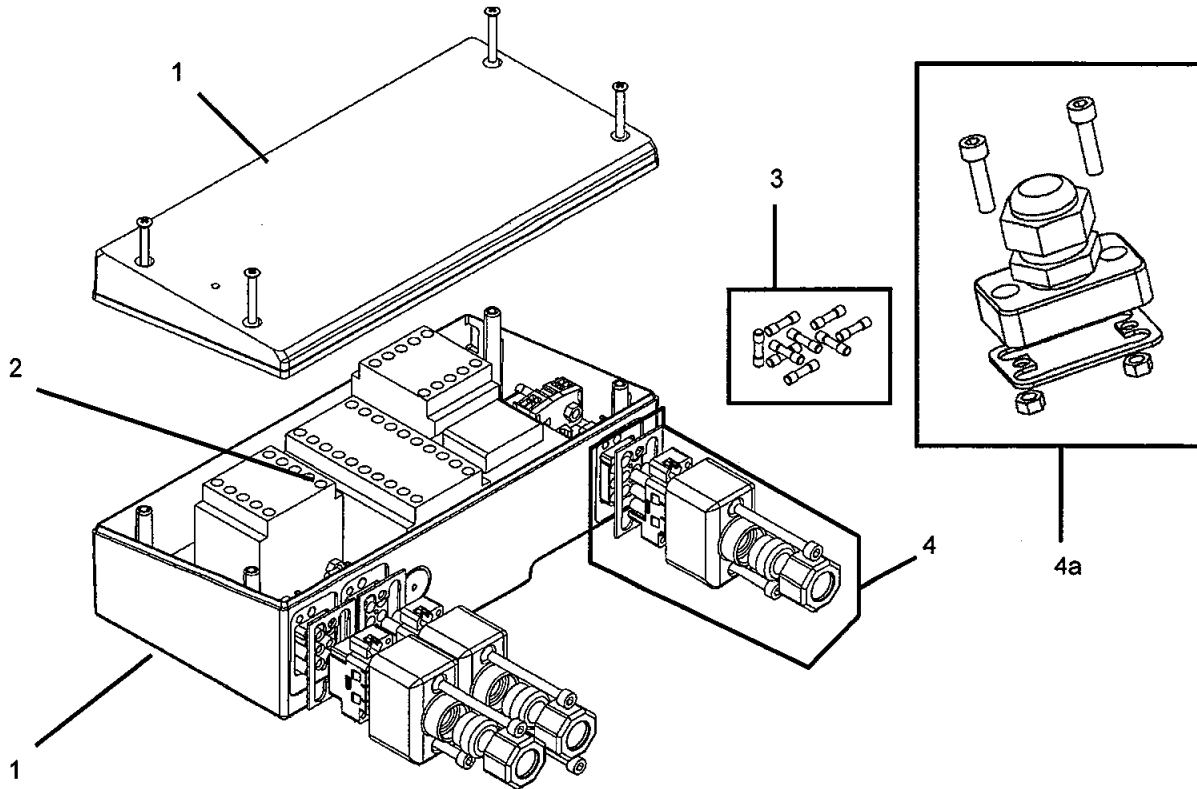
R&M Materials Handling, Inc
Springfield, Ohio USA
☎: 800 955-9967
www.rmhoist.com

LoadMate® Chain Hoist
LM05 Manual
Series II – Helical Gearing
November 2003

Item	Part Number	Description	Comments	Qty
2d	2213308014	Capacity plate set – ½ TON	2-fall	1
2d	2213308004	Capacity plate set – 1 TON	2-fall	1
3	52309350	Chain anchor assembly	2-fall	1
4	52309351	Chain guide assembly + switches + springs		1
4a	52293583	Spring + plate set	1-fall/2-fall	2/3
5a	2219990	Chain container + pin hardware	25 ft [8 m] chain length	1
5b	2249925	Chain container + pin hardware	50ft [16m] chain length	1
5c	2249926	Chain container + pin hardware	75 ft [30m] chain length	1
5d	2249932	Chain container + pin hardware	150 ft [50m] chain length	1
6	2211050	Slack fall stop assembly		1
7	2213500	Load chain – standard	Specify lift	
7	2213501	Load chain – black coating	Specify lift	
8	2211045	Load chain insertion tool		1
9	9995008	Oil	Load chain	1



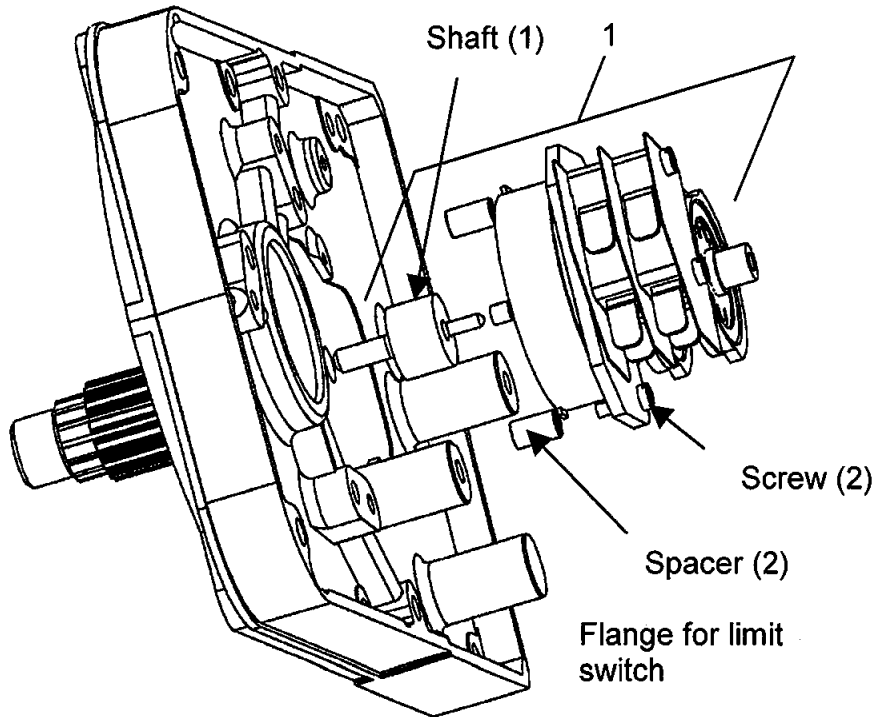
6.4 Controls



Item	Part Number	Description	Comments	Qty
1	52308791	Control enclosure and cover		1
2	2213017	PC board (208)/230/460v – 115v	Two-speed	1
2	2213016	PC board 575v – 115v	Two-speed	1
2	2213018	PC board (208)/230/460v – 115v	Single speed	1
2a	52305692	Hour counter	48 volts – 50 Hertz	1
2a	52305693	Hour counter	48 volts – 60 Hertz	1
2a	52305694	Hour counter	115 volts – 60 Hertz	1
3	52314754	Set of fuses	115v	1
3	2219988	Set of fuses	48v	1
4	2249945	Plug for pushbutton		1
4	2249946	Plug for trolley		1
4	2249982	Plug for power – optional		1
4a	2219808	Cable gland for power		1



6.5 Rotary Limit Switch



Item	Part Number	Description	Comments	Qty
1	52314755	2-position limit switch + shaft + spacer + screw	≤ 131 ft [≤ 40 m] of chain	1

If retrofitting LM05 Series II with a rotary limit switch, replace the gear cover with flange - part number 52305505.