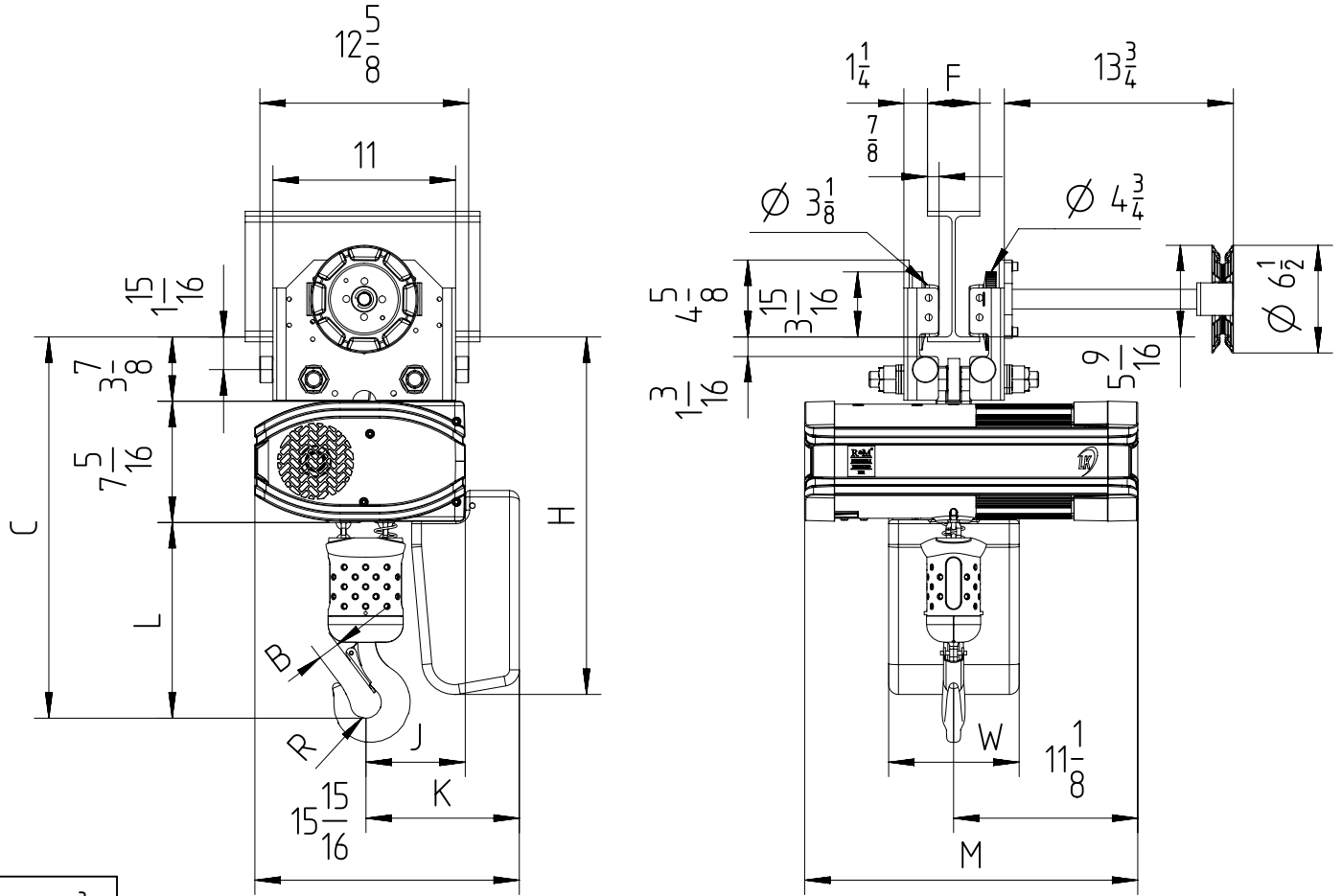


Fixed to Hand chain trolley C2 max 2 TON (perpendicular version)



$2\frac{1}{2} < F < 12\frac{3}{16}$

Note: In case of 1-fall hoist, coupling suspension is rotated by 180°  
Note: Mini. radius of curve for trolley 2 TON is 6.56ft.

Chain Size (mm)	Max load (TON)	Falls	Chain bag capacity (ft)	Dimensions (inch)										Weight of chain (lb/ft)	Estimated weight of hoist incl. trolley w/o chain (lb)			
				B	C	L	R	J	K	H	W	M			LK	LK Inverter	GLS	DB
												LK	LK Inverter/DB/GLS					
7X20	1 1/4	1	19	1	20 1/4	9	7/8	5 7/8 (**)	8 1/8	21 5/8	7 7/8	20 1/16	25 1/4	0.75	187	207	192	194
			52							27 1/8								
			98							29 7/8								
	2	2	19 (*)	1 1/4	23	11 3/4	1	6	9 1/4	21 5/8	7 7/8	20 1/16	25 1/4	0.75	176	196	181	196
			52 (*)							27 1/8								
			98 (*)							29 7/8								

GLS: Gear Limit Switch  
DB : Double Brake

(\*) In case of 2-fall hoist, available lifting height is half of the chain bag maximum capacity.  
(\*\*) In case of 1-fall hoist, Counter weight is needed.