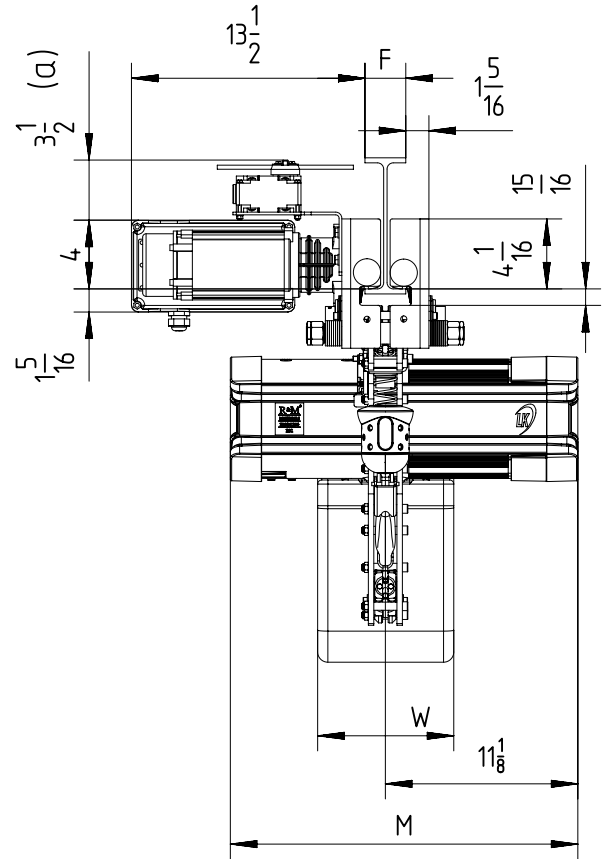
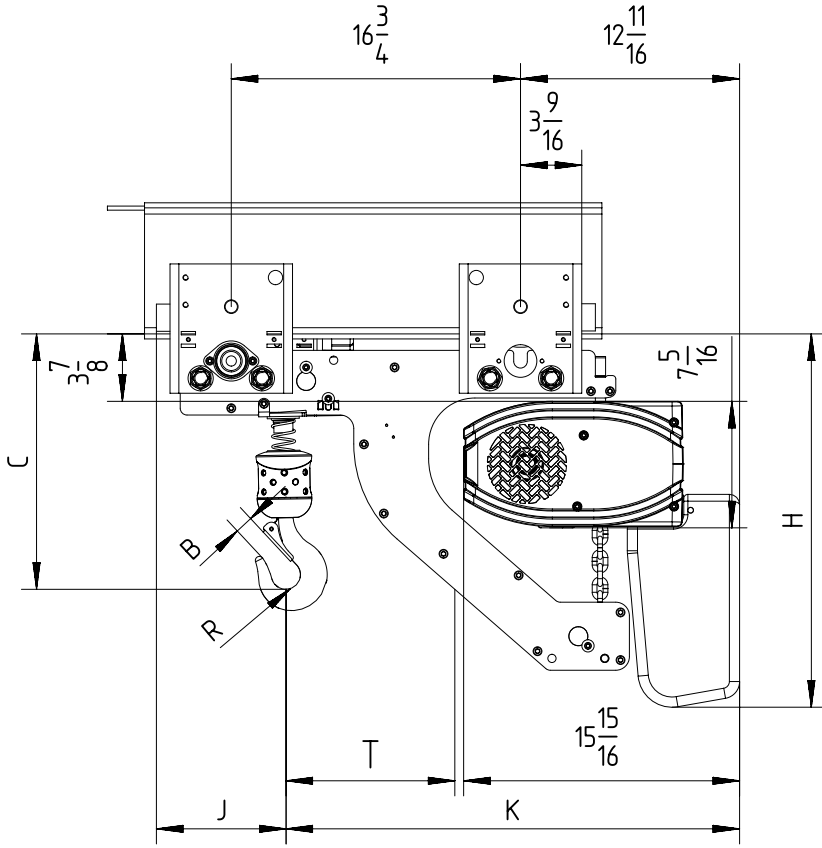


Fixed to electric travel trolley max 2 TON (perpendicular version)



$$2\frac{11}{16} < F < 12\frac{3}{16}$$

(a) Note: Trolley limit switch is optional.

Chain Size (mm)	Max load (TON)	Falls	Chain bag capacity (ft)	Dimensions (inch)										Weight of chain (lb/ft)	Estimated weight of hoist incl. trolley w/o chain (lb)		
				B	C	T	R	J	K	H	W	M			CLX	GLS	DB
												CLX	DB/GLS				
7X20	1	1	19	1	14 3/4	9 3/4	7 8	7 1/2	26 1/4	21 5/8	7 7/8	20 1/16	25 1/4	0.75	192	196	212
			52							27 1/8							
			98							29 7/8							
	2	2	19 (*)	1 1/4	17 1/2	11 5/8	15 1/16	8 3/5	25	21 5/8	7 7/8	20 1/16	25 1/4	0.75	201	205	220
			52 (*)							27 1/8							
			98 (*)							29 7/8							

GLS: Gear Limit Switch
DB : Double Brake

(*) In case of 2-fall hoist, available lifting height is half of the chain bag maximum capacity