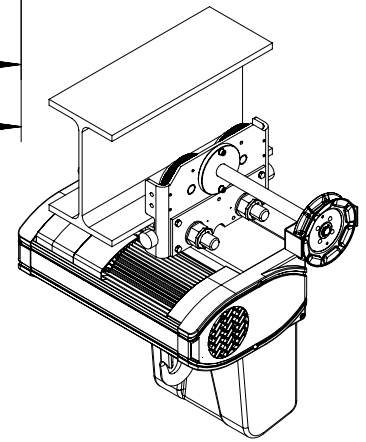
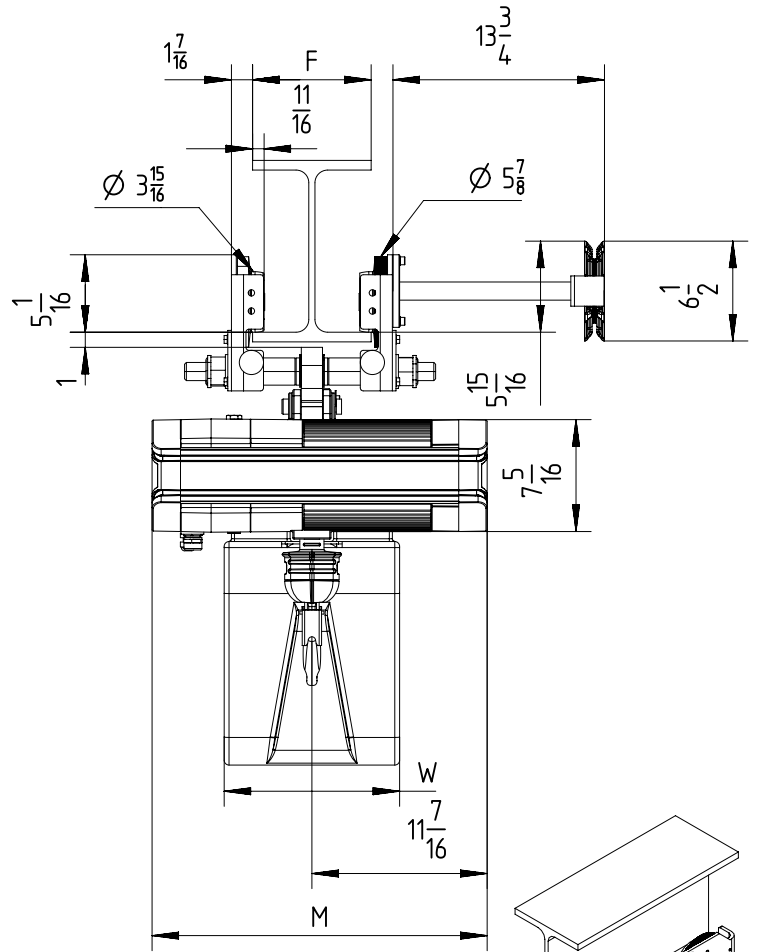
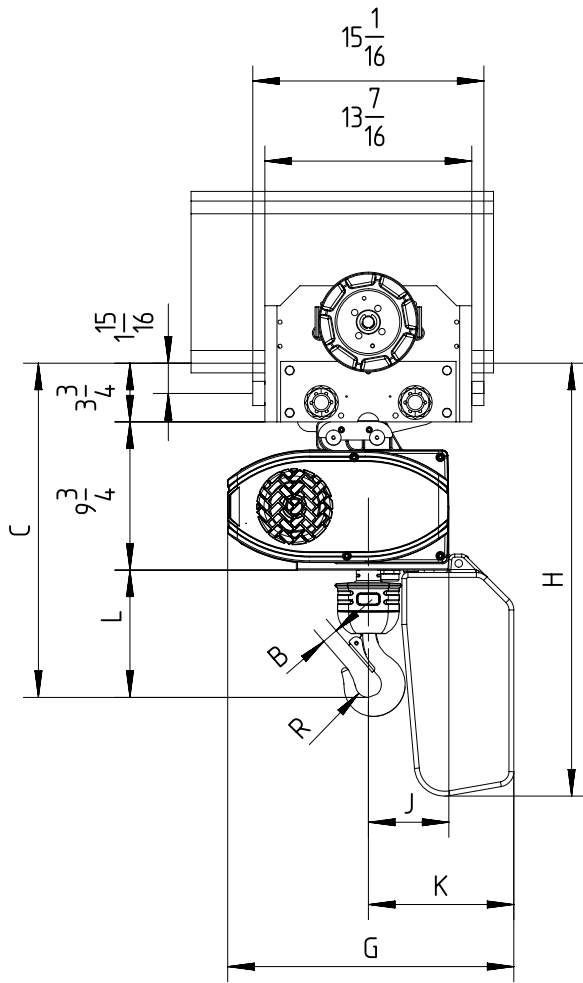


Fixed to hand chain trolley C3 max 3.2 TON (perpendicular version)



$$3\frac{1}{4} < F < 12\frac{3}{16}$$

Note: In case of 2-fall hoist, coupling suspension is rotated by 180°.  
 Note: Mini. radius of curve for trolley 3.2 TON is 6.56ft.  
 Note: Add 2 3/8 inch to C & L dimension for hoisting speeds greater than 32 fpm.

Chain Size (mm)	Max load (TON)	Falls	Chain bag capacity (ft)	Dimensions [inch]										Weight of chain (lb/ft)	Estimated weight of hoist incl. trolley w/o chain (lb)			
				B	C	L	R	J	K	G	H	W	M		LK	GLS	DB	
													LK/GLS					DB
9x27	1 1/2	1	39	1	20 1/4	8 1/4	7 8	5 1/8	9 7/16	18 5/8	28 3/16	11 7/16	21 13/16	26 5/16	1.2	293	304	313
			131 (*)						19 7/16	25 3/4	36 5/8	11 13/16						
	3	2	39 (**)	1 3/8	25 3/16	13 1/4	1	6 3/8	11 1/8	18 5/8	28 3/16	11 7/16				302	313	322
			131 (*, **)						21 1/8	25 3/4	36 5/8	11 13/16						

GLS: Gear Limit Switch  
 DB : Double Brake  
 (\*) For these heights of lift, customer has to link the chain bag to the structure.  
 (\*\*) In case of 2-fall hoist, available lifting height is half of the chain bag maximum capacity.

R&M reserves the right to alter or amend the above information without notice.

DISCLOSED WITHOUT PRIOR WRITTEN CONSENT OF THE COMPANY . ANY COPIES OF THIS DOCUMENT MADE BY ANY METHOD MUST ALSO INCLUDE A COPY OF THIS LEGEND.

53481903  
 53481903-PDF2  
 05/07/2016