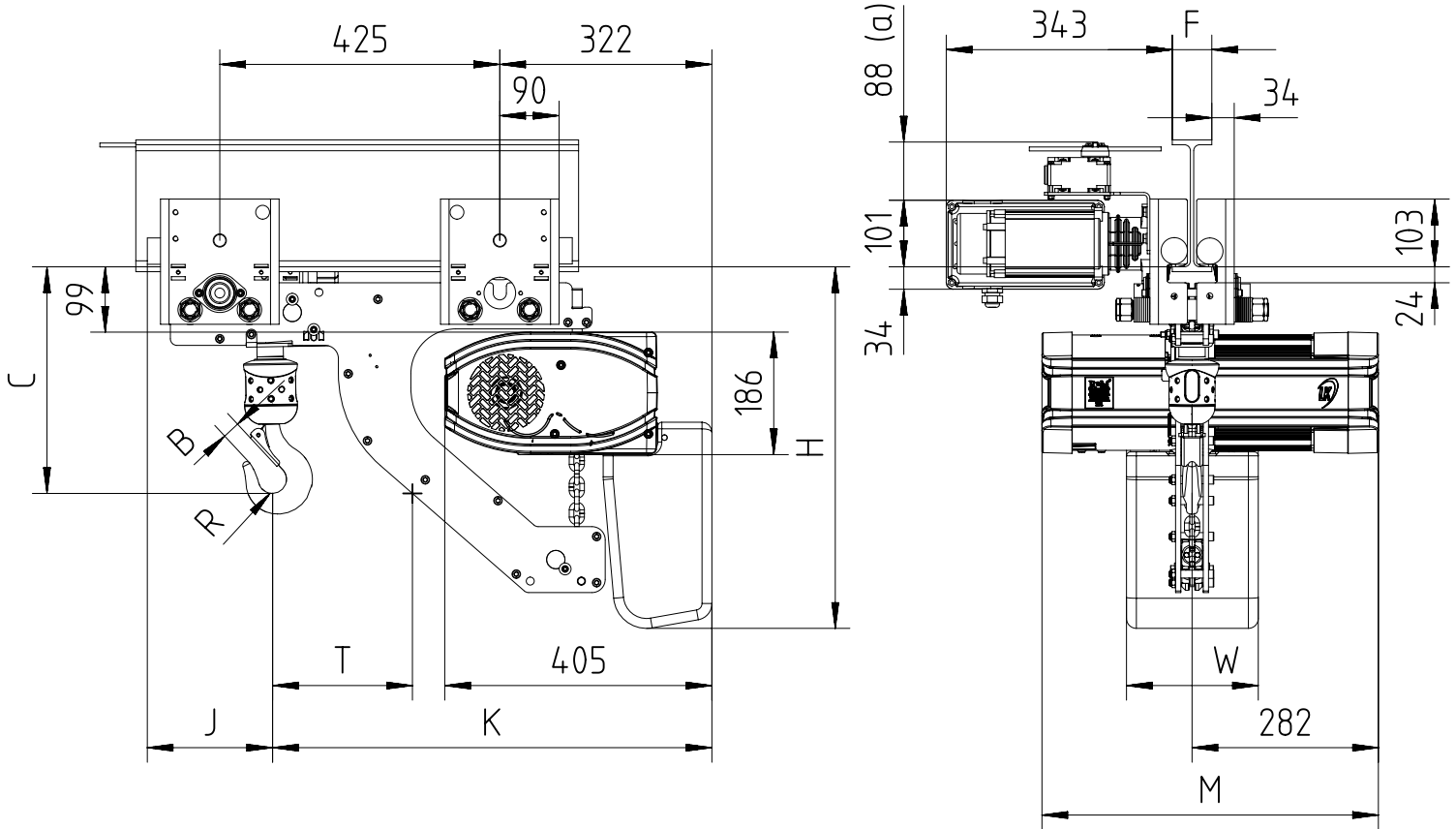


Fixed to electric travel trolley max 2000kg (perpendicular version)



68 < F < 310

(a) Note: Trolley limit switch is optional.

Chain Size (mm)	Max load (kg)	Falls	Chain bag capacity (m)	Dimensions (mm)										Weight of chain (kg/m)	Estimated weight of hoist incl. trolley w/o chain (kg)		
				B	C	T	R	J	K	H	W	M			LK	GLS	DB
												LK	DB/GLS				
7X20	1000	1	6	27	344	212	21	190	667	548	200	510	641	1.1	87	89	96
			16							689							
			30							759							
	2000	2	6 (*)	33	413	259	24	223	634	548	200	510	641	1.1	91	93	100
			16 (*)							689							
			30 (*)							759							

GLS: Gear Limit Switch
DB : Double Brake

(*) In case of 2-fall hoist, available lifting height is half of the chain bag maximum capacity