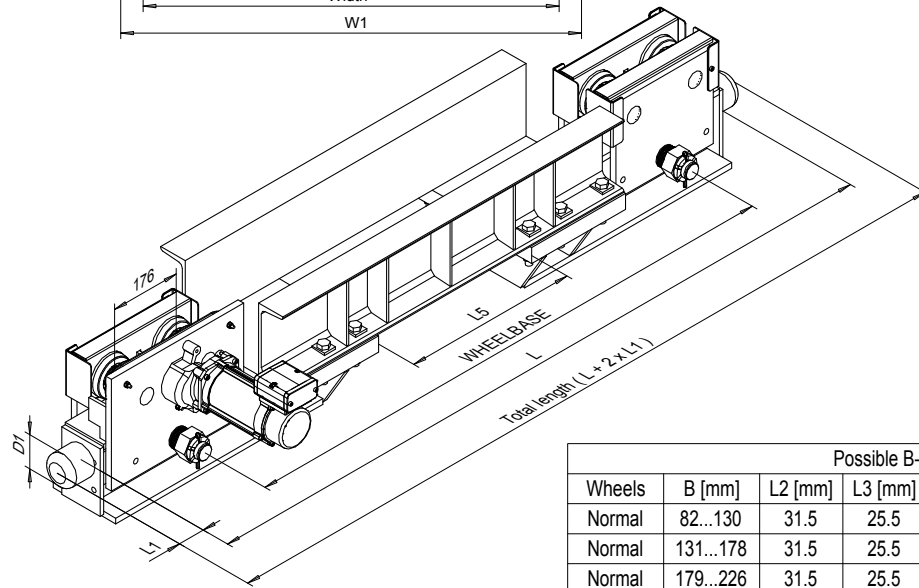
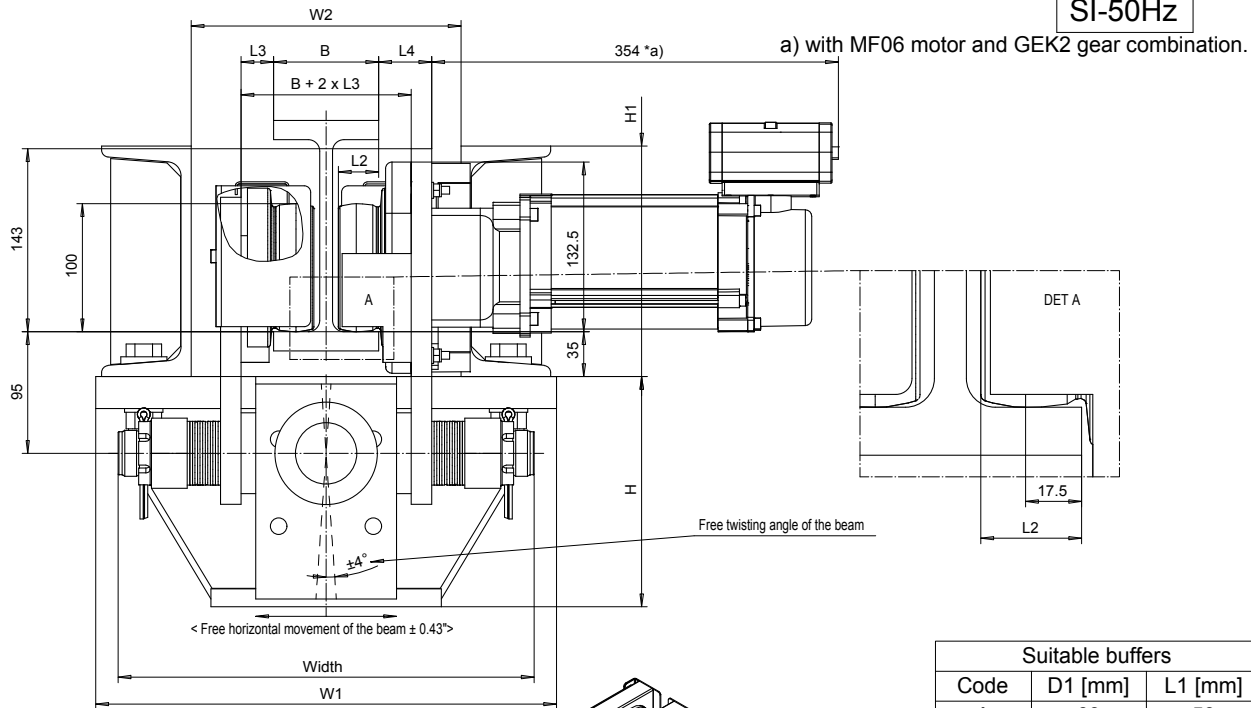


RH10 UNDER RUNNING END TRUCK

SI-60Hz

SI-50Hz



Suitable buffers		
Code	D1 [mm]	L1 [mm]
A	63	53
B	80	68
C	100	85
K	80	80
G	100	100
E	100	150
A, B, C: Rubber		
K, G, E: Polyurethane		

Possible B-dimensions							
Wheels	B [mm]	L2 [mm]	L3 [mm]	L4 [mm]	Width [mm]	W1 [mm]	W2 [mm]
Normal	82...130	31.5	25.5	41.5	325	360	211
Normal	131...178	31.5	25.5	41.5	373	360	211
Normal	179...226	31.5	25.5	41.5	421	505	356
Normal	227...274	31.5	25.5	41.5	469	505	356
Normal	275...322	31.5	25.5	41.5	517	505	356
Patented	61...109	21	36	52	325	360	211
Patented	110...157	21	36	52	373	360	211

WHEELBASE [mm]	Max dyn corner load [kN]	L [mm]	L5 [mm]	Weight [kg]	H [mm]	H1 [mm]
1400	46	1790	440	285	180	180
1800	46	2190	840	305	180	180
2300	46	2690	1340	330	180	180
2800	46	3190	1840	370	180	200

This document is the absolute property of R&M Materials Handling, Inc. This document must not be copied without the written permission of R&M Materials Handling, Inc. The contents thereof must not be disclosed to a third party nor be used for any unauthorized purpose. Contravention will be prosecuted.

ETTAJA Design	ETTRSI Ctd	ETTRSI Appd	ETTRSI Ref Drawing	UR10
2007-06-28 Date	END CARRIAGE			1:1 6:5 UR/PR 4
SLEBDOCV Owner Dept	UR10			
R&M	R&M MATERIALS HANDLING, INC. SLEDGE & CRANE PRODUCTS			D005016-A