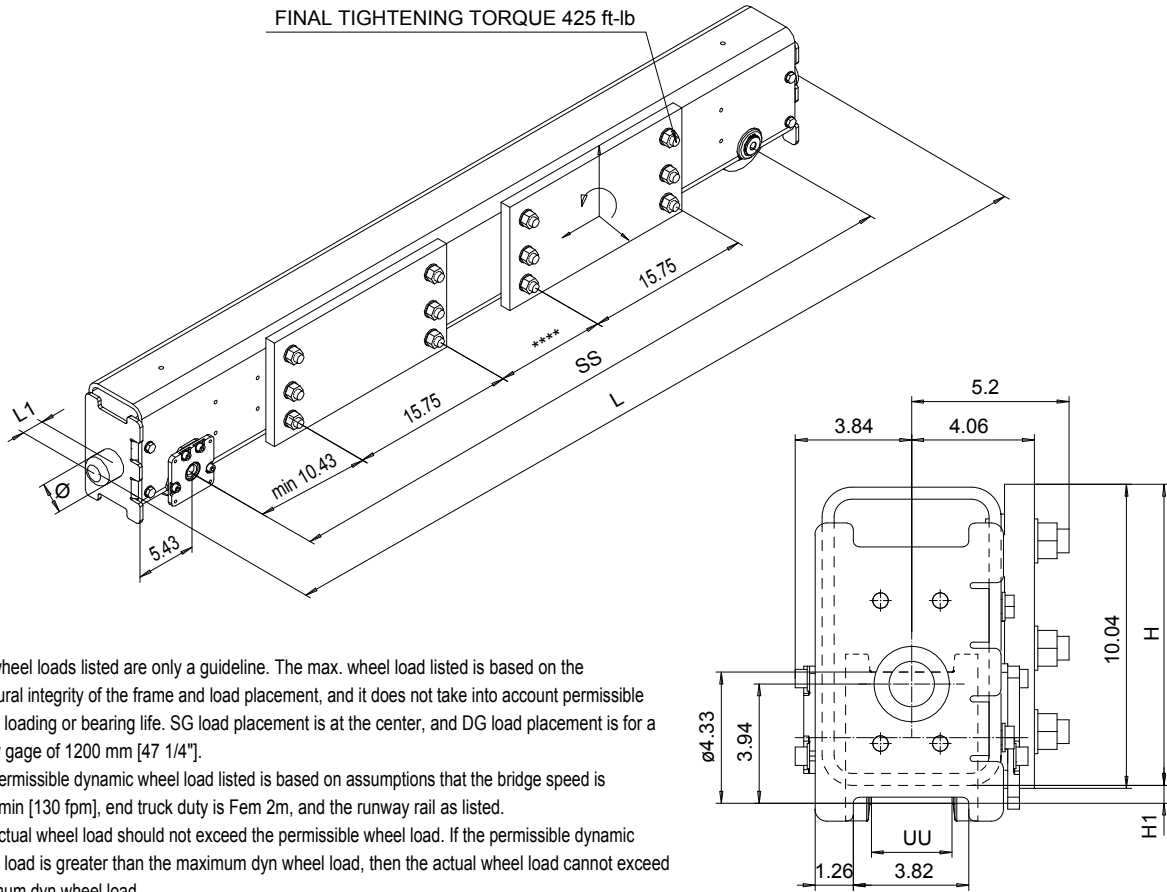


RSN11 END TRUCK

US-60Hz

For single and double girder cranes



The wheel loads listed are only a guideline. The max. wheel load listed is based on the structural integrity of the frame and load placement, and it does not take into account permissible wheel loading or bearing life. SG load placement is at the center, and DG load placement is for a trolley gage of 1200 mm [47 1/4"].

The permissible dynamic wheel load listed is based on assumptions that the bridge speed is 40 m/min [130 fpm], end truck duty is Fem 2m, and the runway rail as listed.

The actual wheel load should not exceed the permissible wheel load. If the permissible dynamic wheel load is greater than the maximum dyn wheel load, then the actual wheel load cannot exceed maximum dyn wheel load.

Dynamic wheel = 1.15 x static wheel load

SS	H	H1	SG		DG		Permissible dyn wheel load		
			WT	Max dyn whl load	WT	Max dyn whl load	ASCE 30	ASCE 40	2" SQ BAR
[in] (mm)	[in]	[in]	[lb]	[lb]	[lb]	[lb]	[lb]	[lb]	[lb]
63 (1600)	9.96	0.59	337	10350	395	10350	6236	7167	9212
78.74 (2000)	9.96	0.59	388	10350	445	10350	6236	7167	9212
98.43 (2500)	9.96	0.59	450	10350	507	10350	6236	7167	9212
124 (3150)	9.96	0.59	531	10350	588	10350	6236	7167	9212

$L = SS + 10.87" + 2 * L1$

Available only with ductile iron wheel.

$UU = 2.04" \dots 3.42"$

RSN11 end truck is compatible with the GES3 gear motor and can be equipped with a second gear motor.

If the crane speed is faster, the duty group is more severe, or the actual runway rail is narrower, then the maximum allowable dynamic wheel load must be re-evaluated.

Suitable buffers		
Code	D1 [in]	L1 [in]
A	2.48	2.09
B	3.15	2.68
C	3.94	3.35
K	3.15	3.15
G	3.94	3.94
E	3.94	5.91
A, B, C: Rubber		
K, G, E: Polyurethane		

1 2007-03-27 ETTVPH		ETTVPH Design 2007-03-27 Date	ETTVPH Chd Appd Ref Drawing	EBN11
Rev Explanation Date Drawn by Checked by		SLEQDOCV Owner Dept	END TRUCK RSN11	
			D004907-A	
			1 of 4 Folder EBN11 Issue 3/2011	