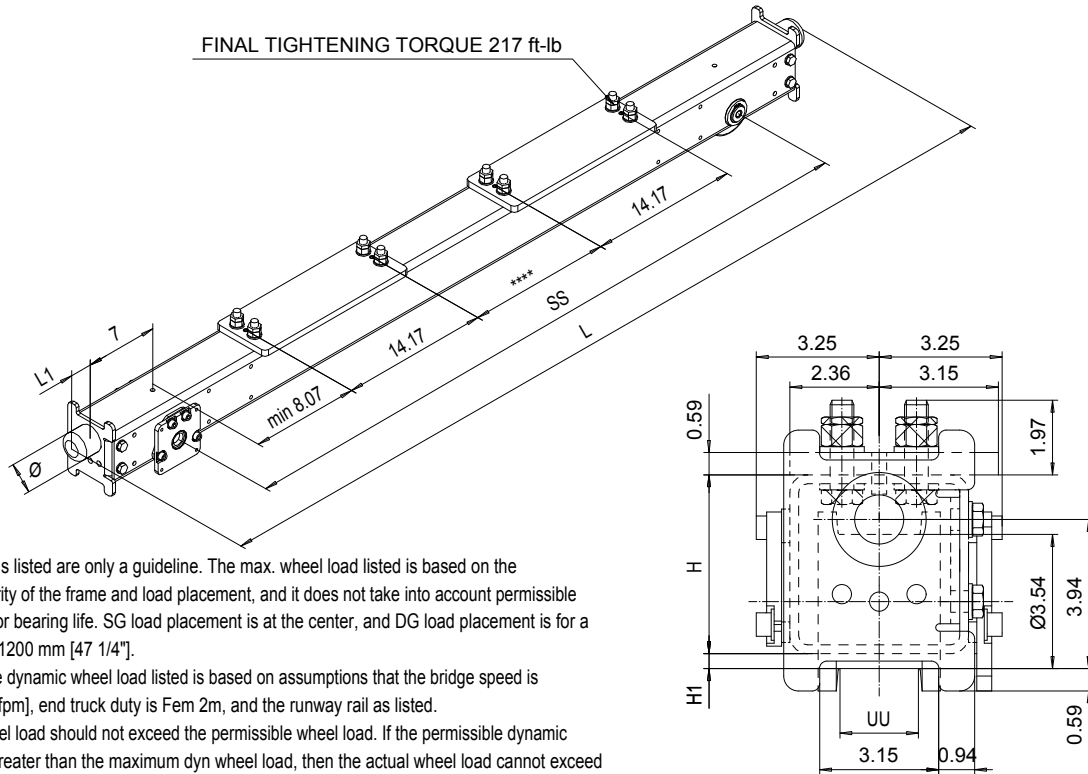


RTL09 END TRUCK

For single and double girder cranes

US-60Hz



The wheel loads listed are only a guideline. The max. wheel load listed is based on the structural integrity of the frame and load placement, and it does not take into account permissible wheel loading or bearing life. SG load placement is at the center, and DG load placement is for a trolley gage of 1200 mm [47 1/4"].

The permissible dynamic wheel load listed is based on assumptions that the bridge speed is 40 m/min [130 fpm], end truck duty is Fem 2m, and the runway rail as listed.

The actual wheel load should not exceed the permissible wheel load. If the permissible dynamic wheel load is greater than the maximum dyn wheel load, then the actual wheel load cannot exceed maximum dyn wheel load.

Dynamic wheel = 1.15 x static wheel load

SS [in] (mm)	H [in]	H1 [in]	SG		DG		Perm dyn whl load	
			WT [lb]	Max dyn whl load [lb]	WT [lb]	Max dyn whl load [lb]	ASCE 30 [lb]	ASCE 40 [lb]
49.21 (1250)	4.72	0.39	117	6300	---	---	4838	5558
63 (1600)	4.72	0.39	132	5175	148	6300	4838	5558
78.74 (2000)	4.72	0.39	152	4050	165	6300	4838	5558

$L = SS + 10.87" + 2 * L1$

Available only with ductile iron wheel.

UU = 2"...2 3/4"

RTL09 end truck is compatible with the GES3 gear motor and can be equipped with a second gear motor.

If the crane speed is faster, the duty group is more severe, or the actual runway rail is narrower, then the maximum allowable dynamic wheel load must be re-evaluated.

Suitable buffers		
Code	D1 [in]	L1 [in]
A	2.48	2.09
B	3.15	2.68
C	3.94	3.35
K	3.15	3.15
G	3.94	3.94
E	3.94	5.91
A, B, C: Rubber		
K, G, E: Polyurethane		

1 Product release		2008-02-04	ETTVPH			Design	ETTVPH	Appd	Ref Drawing	ECL09
Date		Checked by		Date		Owner Dept		END CARRIAGE		 1:1 Folder ECL09 Date 03/2011
Explanation		Date		Date		Date		RTL09		
								D005064-B		

This document is the absolute property of R&M Materials Handling, Inc. This document must not be copied without the written permission of R&M Materials Handling, Inc. The contents thereof must not be disclosed to a third party nor be used for any unauthorized purpose. Contravention will be prosecuted.