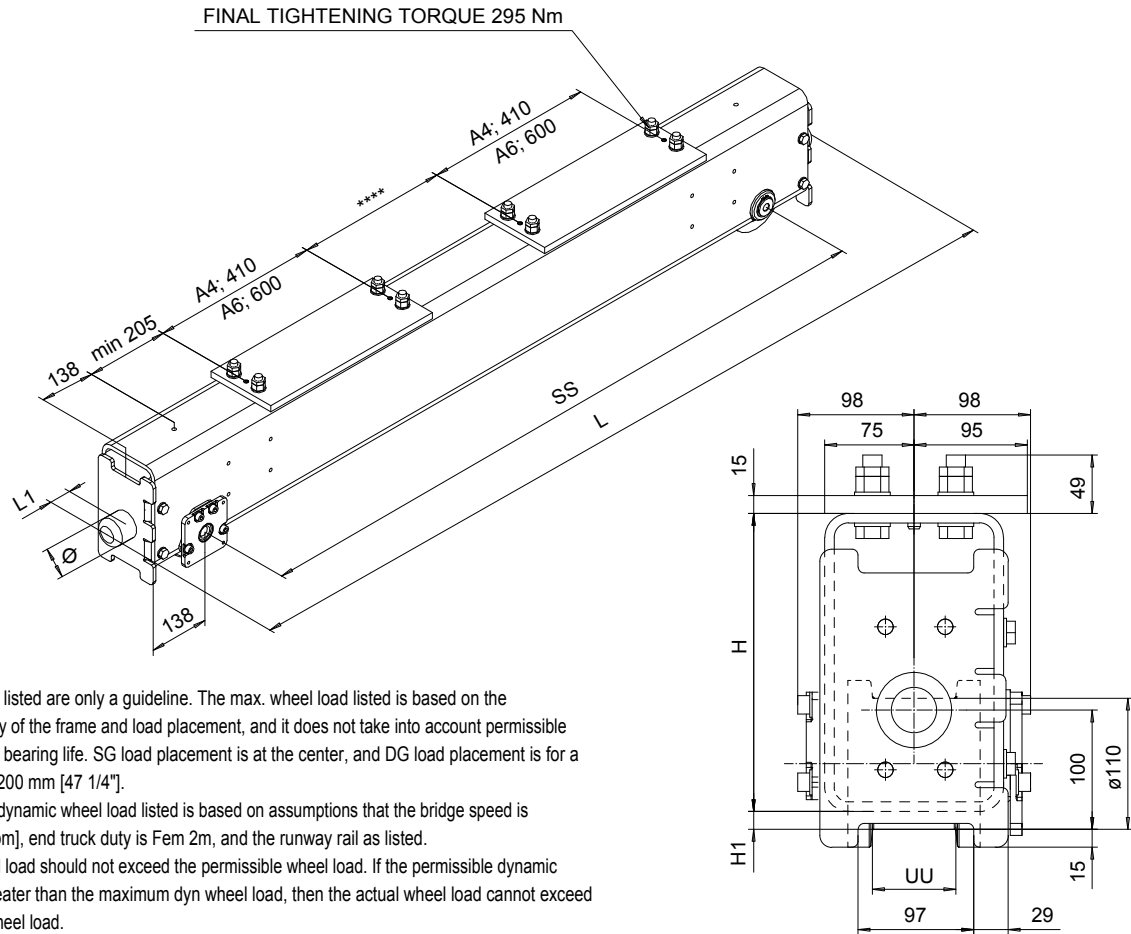


# RTN11 END TRUCK

For single and double girder cranes

SI-50/60Hz



The wheel loads listed are only a guideline. The max. wheel load listed is based on the structural integrity of the frame and load placement, and it does not take into account permissible wheel loading or bearing life. SG load placement is at the center, and DG load placement is for a trolley gage of 1200 mm [47 1/4"].

The permissible dynamic wheel load listed is based on assumptions that the bridge speed is 40 m/min [130 fpm], end truck duty is Fem 2m, and the runway rail as listed.

The actual wheel load should not exceed the permissible wheel load. If the permissible dynamic wheel load is greater than the maximum dyn wheel load, then the actual wheel load cannot exceed maximum dyn wheel load.

Dynamic wheel = 1.15 x static wheel load

SS	H	H1	SG		DG		Permissible dyn wheel load		
			WT	Max dyn whl load	WT	Max dyn whl load	ASCE 30	ASCE 40	2" SQ BAR
[mm]	[mm]	[mm]	[kg]	[kN]	[kg]	[kN]	[kN]	[kN]	[kN]
1600	250	15	117	46	127	46	27.7	31.9	40.9
2000	250	15	136	46	146	46	27.7	31.9	40.9
2500	250	15	159	46	169	46	27.7	31.9	40.9
3150	250	15	189	46	199	46	27.7	31.9	40.9

$L = SS + 276 + 2 * L1$

Available only with ductile iron wheel.

$UU = 52...87$

RTN11 end truck is compatible with the GES3 gear motor and can be equipped with a second gear motor.

If the crane speed is faster, the duty group is more severe, or the actual runway rail is narrower, then the maximum allowable dynamic wheel load must be re-evaluated.

Suitable buffers		
Code	D1 [mm]	L1 [mm]
A	63	53
B	80	68
C	100	85
K	80	80
G	100	100
E	100	150
A, B, C: Rubber		
K,G,E: Polyurethane		

<table border="1"> <tr> <td>Rev</td> <td>Explanation</td> <td>Date</td> <td>Revised by</td> <td>Checked by</td> </tr> <tr> <td> </td> <td> </td> <td> </td> <td> </td> <td> </td> </tr> </table>				Rev	Explanation	Date	Revised by	Checked by						<table border="1"> <tr> <td>Design</td> <td>2007-03-29</td> </tr> <tr> <td>Date</td> <td> </td> </tr> <tr> <td>Owner</td> <td>SLBQDOCV</td> </tr> <tr> <td>Dept</td> <td> </td> </tr> </table>		Design	2007-03-29	Date		Owner	SLBQDOCV	Dept		<table border="1"> <tr> <td>Design</td> <td>END TRUCK</td> </tr> <tr> <td>Appd</td> <td> </td> </tr> <tr> <td>Ref Drawing</td> <td> </td> </tr> <tr> <td> </td> <td>RTN11</td> </tr> <tr> <td> </td> <td> </td> </tr> <tr> <td> </td> <td>D004918-A</td> </tr> </table>		Design	END TRUCK	Appd		Ref Drawing			RTN11				D004918-A	<table border="1"> <tr> <td>Issue</td> <td>3/2011</td> </tr> <tr> <td>Folder</td> <td>ECN11</td> </tr> </table>		Issue	3/2011	Folder	ECN11
Rev	Explanation	Date	Revised by	Checked by																																							
Design	2007-03-29																																										
Date																																											
Owner	SLBQDOCV																																										
Dept																																											
Design	END TRUCK																																										
Appd																																											
Ref Drawing																																											
	RTN11																																										
	D004918-A																																										
Issue	3/2011																																										
Folder	ECN11																																										

This document is the absolute property of R&M Materials Handling, Inc. This document must not be copied without the written permission of R&M Materials Handling, Inc. The contents thereof must not be disclosed to a third party nor be used for any unauthorized purpose. Contravention will be prosecuted.