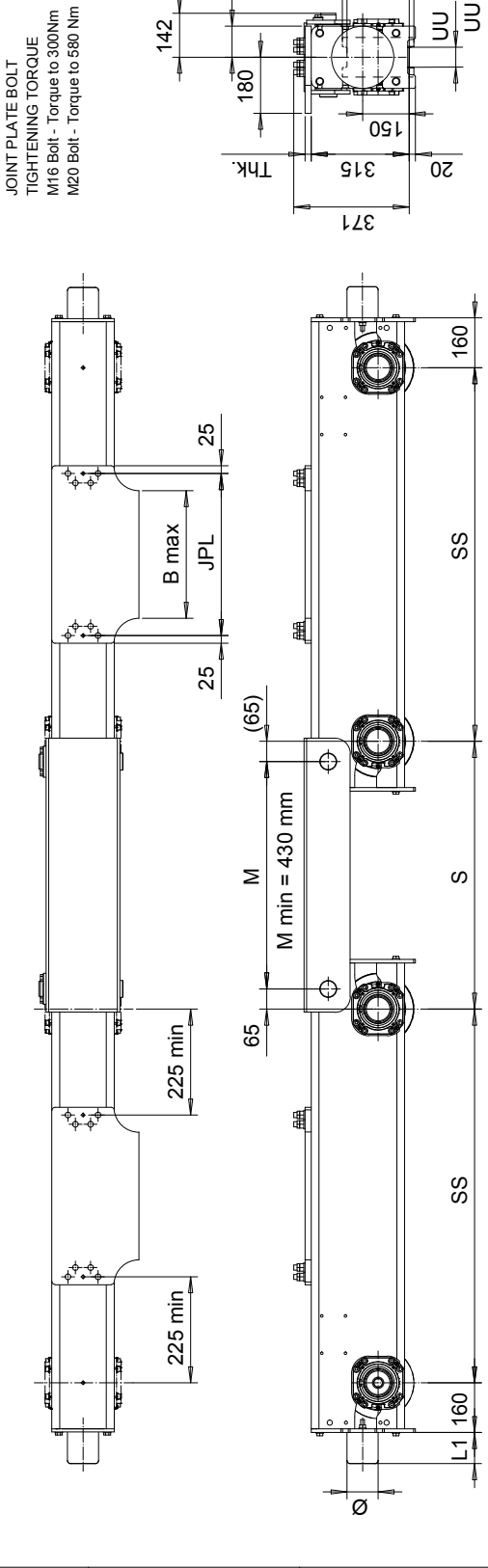


This document is the absolute property of R&M Materials Handling, Inc. This document must not be copied without the written permission of R&M Materials Handling, Inc. The contents hereof must not be disclosed to a third party nor be used for any unauthorized purpose. Contravention will be prosecuted.

RTN20B END TRUCK TOP JOINT PLATE TYPE L



**JOINT PLATE BOLT
TIGHTENING TORQUE**
M16 Bolt - Torque to 300Nm
M20 Bolt - Torque to 580 Nm

Buffer type	L1 (mm)	Ø (mm)
A	53	63
B	68	80
C	85	100
D	105	125
K	80	80
G	100	100
E	150	100
F	190	125
H	160	160
I	200	200
M	125	125
P	240	160
S	300	200

B, C, D rubber
K, G, E, F, H, I, M, P, S polyurethane

The wheel loads listed are only a guideline. The max. wheel load listed is based on the structural integrity of the frame and load placement, and it does not take into account permissible wheel loading or bearing life. SG load placement is at the center, and DG load placement is for a trolley gauge of 1400 mm [55 1/8"]. The permissible dynamic wheel load listed is based on assumptions that the bridge speed is 40 m/min [130 fpm], end truck duty is F=2m, and the runway rail as listed. The actual wheel load should not exceed the permissible wheel load. If the permissible dynamic wheel load is greater than the maximum dyn wheel load, then the actual wheel load cannot exceed maximum dyn wheel load. Dyn wheel load = 1.15 x static wheel load

Joint plate	Thickness (mm)	JPL (mm)	B MAX (mm)
L3	25	410	300
L4	20	520	410
L5	20	630	520
L6	20	740	630

Wheelbase Code	SS (mm)	Max dyn w/ht load (kN)	Permissible dyn w/ht load (kN)	ASCE 40	ASCE 60	ASCE 85	Approx. Weight (kg)
12	1200	132	88	88	98	98	376
14	1400	132	88	88	98	98	405
16	1600	132	88	88	98	98	434
18	1800	132	88	88	98	98	463
20	2000	132	88	88	98	98	492

(Product Code example)
RTN20B1274-L41540C0860-N

- RTN20B: End truck
- 1274: Wheelbase
- L4: Wheel groove
- 1540: Wheel base
- C0860: Joint plate distance
- N: Standard
- E: Special primer paint, color code
- Inner wheel distance = S
- Buffer type
- Joint plate distance = PP; (pin to pin, with double girder)
- Joint plate code
- = 1WD, D = 2WD
- Wheel groove = UU
- Wheel base = SS
- B = bogie
- Type of end carriage

Pos	Description	Specification	Rev	Drawing
EITVVPH	Design	EITVVPH		
2008-05-23	Date	2008-05-23		
1:10	Scale			
END TRUCK OUTLINE DRAWING				
RTN20B-L				
R&M MATERIALS HANDLING INC. <small>SALES & SERVICE DEPT.</small>				
RTN20B END TRUCK TOP JOINT				
Issue 08/2013				