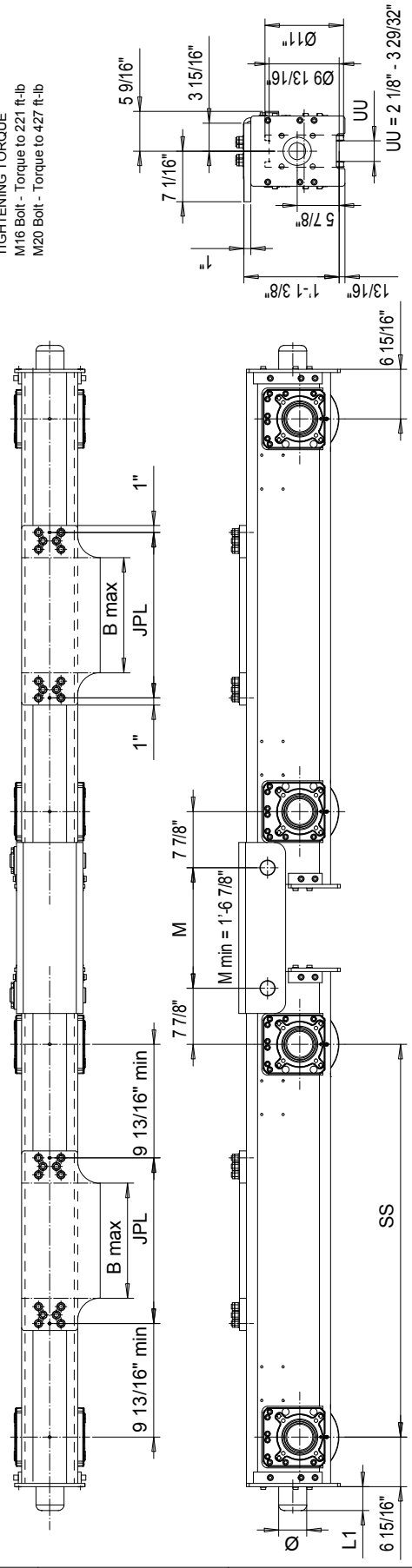


1 2 3 4 5 6 7 8

RTN25B END TRUCK TOP JOINT PLATE TYPE H

**JOINT PLATE BOLT
TIGHTENING TORQUE**
M16 Bolt - Torque to 221 ft-lb
M20 Bolt - Torque to 427 ft-lb



Joint plate	JPL	B max	Min. Wheelbase
H4	23.23"	16 1/8"	4'-7 1/8"
H5	27.56"	20 7/16"	4'-7 1/8"
H7	36.22"	29 1/8"	4'-7 1/8"
H8	46.06"	38 15/16"	5'-3"

The wheel loads listed are only a guideline. The max. wheel load listed is based on the structural integrity of the frame and load placement, and it does not take into account permissible wheel loading or bearing life. SG load placement is at the center, and DG load placement is for a trolley gage of 1400 mm [55 1/8"].

The permissible dynamic wheel load listed is based on assumptions that the bridge speed is 40 m/min [130 fpm], end truck duty is Fem 2m, and the runway rail as listed.

If permissible dynamic wheel load is greater than the maximum dyn wheel load, use maximum dyn wheel load to select the end truck.

Dyn wheel load = 1.15 x static wheel load

Buffer type	L1	Ø
B	2 11/16"	3 3/16"
C	3 5/16"	3 15/16"
D	4 1/8"	4 15/16"
K	3 3/16"	3 3/16"
G	3 15/16"	3 15/16"
E	5 15/16"	3 15/16"
F	7 1/2"	4 15/16"
H	6 5/16"	6 5/16"
I	7 7/8"	7 7/8"
M	4 15/16"	4 15/16"
P	9 7/16"	6 5/16"
S	11 13/16"	7 7/8"

B, C, D rubber
K, G, E, F, H, I, M, P, S polyurethane

Product Code example
RTN25B 1474 H4 1640C 0830-N

- RTN25B - Wheelbase
- 1474 - Max dyn whl load (kip)
- H4 - Permissible dyn whl load (ASCE 60)
- 1640C - ASCE 85
- 0830 - N (ASCE 40)
- N - standard, E=Special
- primer paint, color code
- inner wheel distance = S
- Buffer type
- Joint plate distance = PP;
- (pin to pin, with double girder)
- Joint plate code
- = 1WD, D = 2WD
- Wheel groove = UU
- Wheel base = SS
- B = bogie
- Type of end carriage

Wheelbase code	SS	Max dyn whl load (kip)	Permissible dyn whl load (ASCE 40)	ASCE 60	ASCE 85	Approx Weight (lb)
14	4'-7 1/8"	41.63	19.1	25.8	28.4	1145
16	5'-3"	41.63	19.1	25.8	28.4	1224
18	5'-10 7/8"	41.63	19.1	25.8	28.4	1301
20	6'-6 3/4"	41.63	19.1	25.8	28.4	1379
22	7'-2 5/8"	41.63	19.1	25.8	28.4	1456
25	8'-2 7/16"	38.48	19.1	25.8	28.4	1573

Pos	Description	Specification	Id	Drawing
E1	RTN25B	E1TVPH		
	2008-12-09			
	SLEDDOVCY			
	END TRUCK			
	OUTLINE DRAWING			
	RTN25B-H			
	RTN25B END TRUCK TOP JOINT			

110
EON25
R&M MATERIALS HANDLING INC.
R&M MATERIALS HANDLING INC.
10625 WILSON AVENUE
MILWAUKEE, WI 53222
USA

A2 A1

D005772-A

06/2017

06/2017