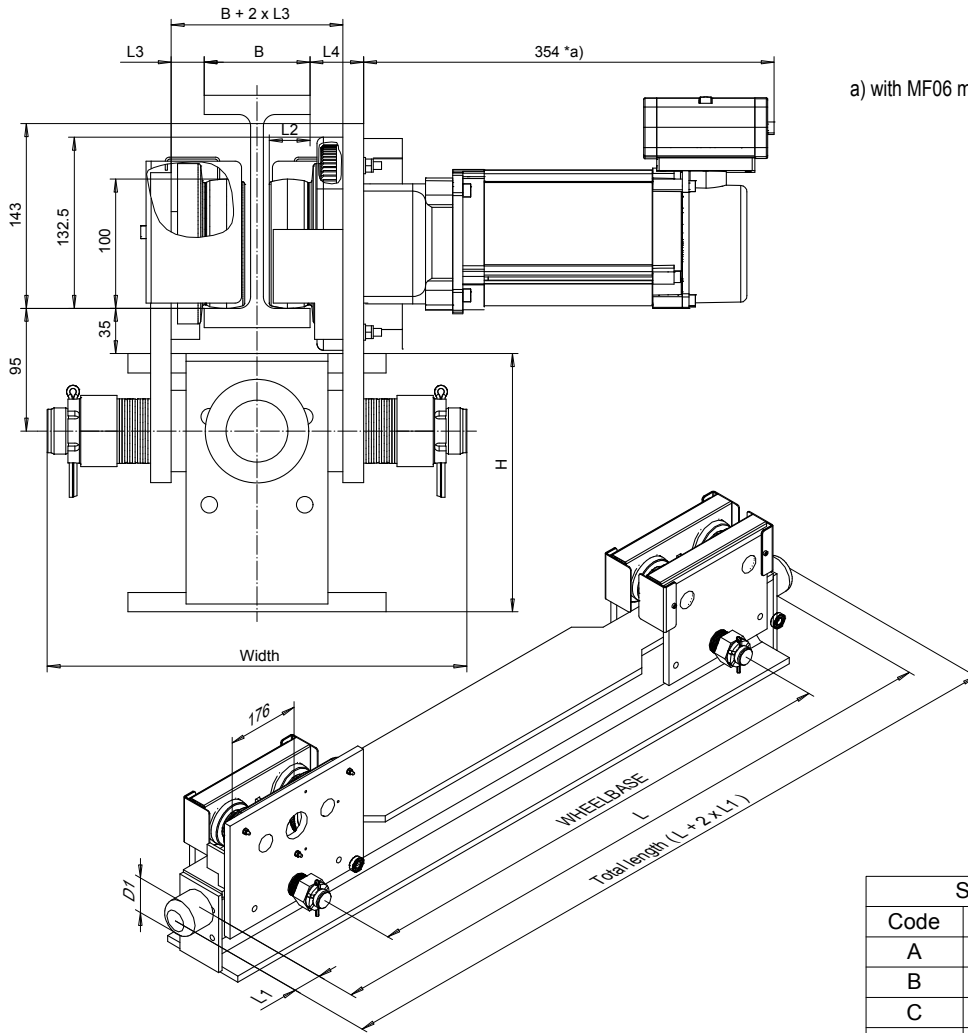


# RU10 UNDER RUNNING END TRUCK

SI-60Hz

SI-50Hz

a) with MF06 motor and GEK2 gear combination.



FLANGE RANGE (B) DIMENSIONS					
Wheels	B [mm]	L2 [mm]	L3 [mm]	L4 [mm]	Width [mm]
Normal	82...130	31.5	25.5	41.5	325
Normal	131...178	31.5	25.5	41.5	373
Normal	179...226	31.5	25.5	41.5	421
Normal	227...274	31.5	25.5	41.5	469
Normal	275...322	31.5	25.5	41.5	517
Patented	61...109	21	36	52	325
Patented	110...157	21	36	52	373

Suitable buffers		
Code	D1 [mm]	L1 [mm]
A	63	53
B	80	68
C	100	85
K	80	80
G	100	100
A, B, C: Rubber		
K, G: Polyurethane		

WHEELBASE [mm]	Max dyn corner load [kN]	L [mm]	Weight [kg]	H [mm]
1200	46	1590	161	180
1400	46	1790	171	180
1800	46	2190	191	180
2300	46	2690	217	180
2800	46	3190	275	200
3200	44	3590	299	200
3500	40	3890	318	200

This document is the absolute property of R&M Materials Handling, Inc. This document must not be copied without the written permission of R&M Materials Handling, Inc. The contents thereof must not be disclosed to a third party nor be used for any unauthorized purpose. Contravention will be prosecuted.

ETTAJA	ETTRSI	Appd	Ref Drawing	UU10
Design	Chd			
2007-05-11				
Date	END CARRIAGE			1 of 5
SLEQDOCV	UU10			Folder
Owner Dept				UU/PR
R&M	D004973-A			Issue
				1