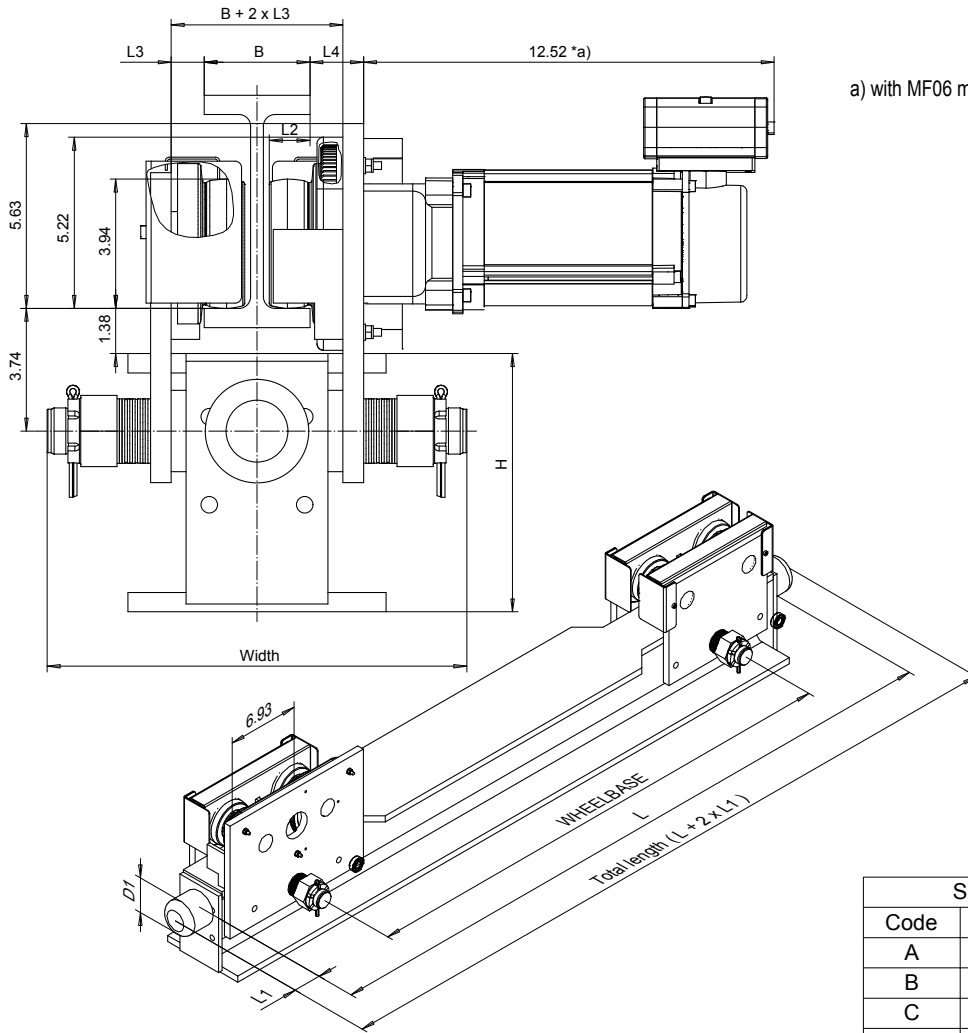


RU10 UNDER RUNNING END TRUCK

US-60Hz



a) with MF06 motor and GEK2 gear combination.

FLANGE RANGE (B) DIMENSIONS

Wheels	B [in]	L2 [in]	L3 [in]	L4 [in]	Width [in]
Normal	3.23...5.12	1.24	1	1.63	12.8
Normal	5.16...7.0	1.24	1	1.63	14.69
Normal	7.05...8.9	1.24	1	1.63	16.57
Normal	8.94...10.79	1.24	1	1.63	18.46
Normal	10.83...12.68	1.24	1	1.63	20.35
Patented	2.4...4.29	0.83	1.42	2.05	12.8
Patented	4.33...6.18	0.83	1.42	2.05	14.69

Suitable buffers		
Code	D1 [in]	L1 [in]
A	2.48	2.09
B	3.15	2.68
C	3.94	3.35
K	3.15	3.15
G	3.94	3.94
A, B, C: Rubber		
K, G: Polyurethane		

WHEELBASE	Max dyn corner load [lb]	L [in]	Weight [lb]	H [in]
47.24" (1200 mm)	10350	62.6	355	7.09
55.12" (1400 mm)	10350	70.47	377	7.09
70.87" (1800 mm)	10350	86.22	421	7.09
90.55" (2300mm)	10350	105.91	478	7.09
110.23" (2800 mm)	10350	125.59	606	7.87
126" (3200 mm)	9900	141.34	659	7.87
137.8" (3500 mm)	9000	153.15	701	7.87

This document is the absolute property of R&M Materials Handling, Inc. This document must not be copied without the written permission of R&M Materials Handling, Inc. The contents thereof must not be disclosed to a third party nor be used for any unauthorized purpose. Contravention will be prosecuted.

ETTAJA Design	ETTRSI Chd	Appd	Ref Drawing	UU10
2007-05-11 Date	END CARRIAGE			1 of 5 Folien UU/PR
SLEQDOCV Owner Dept	UU10			
R&M R&M MATERIALS HANDLING, INC. BUCKET & CRANE PRODUCTS SHEPPARD AVENUE MARIETTA, OHIO	D004973-A			1