

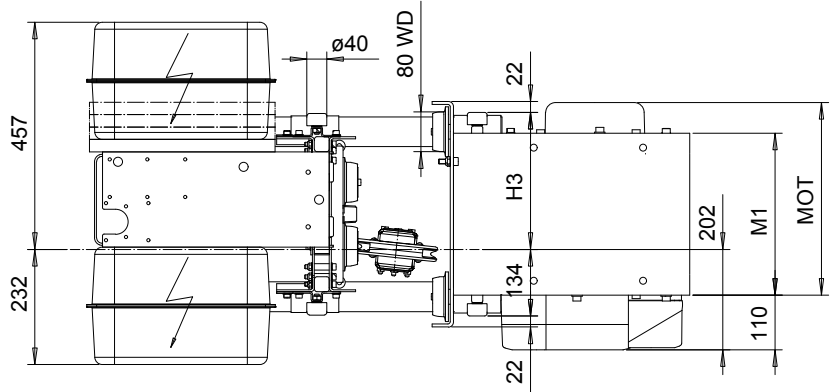
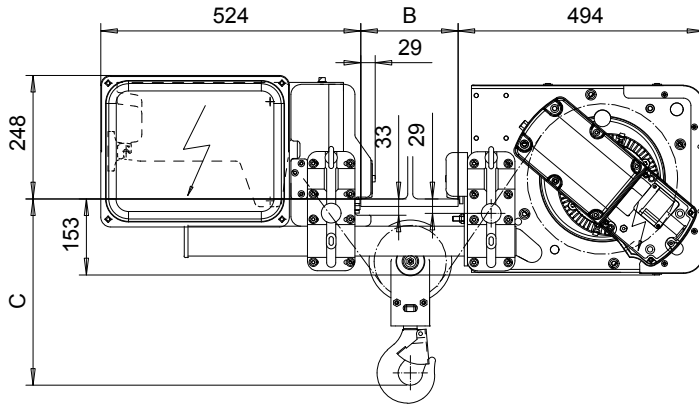
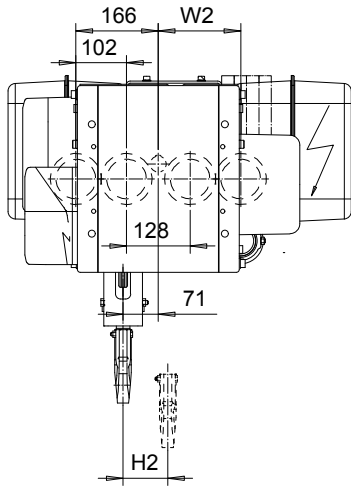
**LOW HEADROOM, 2 PART SINGLE**

Hoist type:

SI-50Hz

SX2 021..L0

SX3 021..L0



Motor	P1	P2	P3	A3	S3
MOT (mm)	385	446	476	446	526
Weight (kg)	21	31	35	32	28

HEADROOM TABLE - C DIMENSION		
Flange Width, B (mm)	Headroom, C (mm)	with HS22 Hook oper limit switch (mm)
80 - 270	400	535
271 - 320	430	535
321 - 370	460	535
371 - 410	485	535

Headroom is related to the flange width

HOL (m)	Length code	H2 (mm)	H3 (mm)	M1 (mm)	W2 (mm)	Approx Weight (kg)
12	A	90	274	326	166	210
19	C	144	404	456	231	230

Load (kg)	Class Fem/ISO
800	3m/M6
1000	2m/M5
1250	3m/M6
1600	2m/M5

Approx. weight calculated with P1 motor.

This document is the absolute property of R&M Materials Handling, Inc. This document must not be copied without the written permission of R&M Materials Handling, Inc. The contents thereof must not be disclosed to a third party nor be used for any unauthorized purpose. Contravention will be prosecuted.

Design	Chk	Appr	Ref Drawing	QA-L-02
Date	TROLLEY; LOW HEADROOM			1:6.5 Foster
SLEIGH/CE Owner/Design	2 ROPE FALLS			
R&M MATERIALS HANDLING INC.	R&M MATERIALS HANDLING, INC. HOIST & CRANE PRODUCTS SPRINGFIELD, OHIO			Issue 8
D002075-A				