

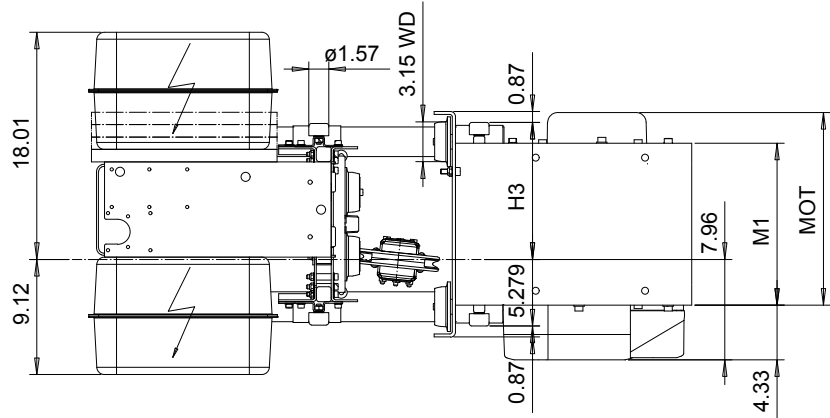
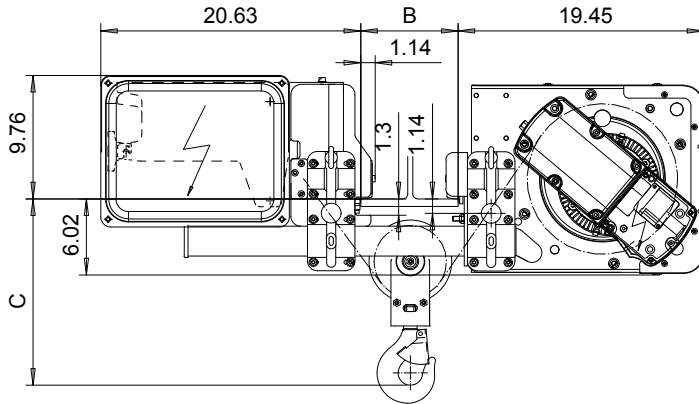
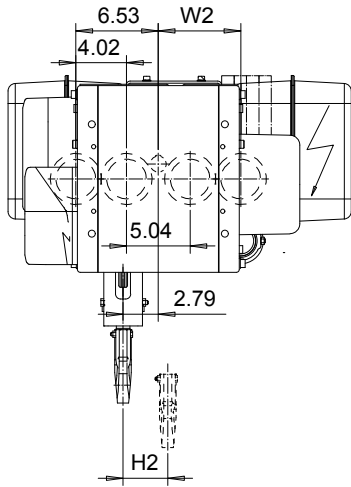
LOW HEADROOM, 2 PART SINGLE

Hoist type:

US-60Hz

SX2 021..L0

SX3 021..L0



Motor	P1	P2	P3	A3	S3
MOT (in)	15.2	17.6	18.7	17.6	20.7
Weight (lb)	46	68	77	71	62

HEADROOM TABLE - C DIMENSION		
Flange Width, B (in)	Headroom, C (in)	with HS22 Hook oper limit switch (in)
3.15 - 10.62	15.75	21.06
10.67 - 12.62	16.93	21.06
12.64 - 14.56	18.11	21.06
14.6 - 16.14	19.1	21.06

Headroom is related to the flange width

HOL (ft)	Length code	H2 (inch)	H3 (inch)	M1 (inch)	W2 (inch)	Approx Weight (lb)
39'-4"	A	3.54	10.79	12.83	6.54	463
62'-4"	C	5.66	15.91	17.95	9.09	507

Load (ton)	Class ASME
3/4	H4+
1	H4
1 1/4	H4+
1 1/2	H4

Approx. weight calculated with P1 motor.

This document is the absolute property of R&M Materials Handling, Inc. This document must not be copied without the written permission of R&M Materials Handling, Inc. The contents thereof must not be disclosed to a third party nor be used for any unauthorized purpose. Contravention will be prosecuted.

Design	Chk	Appr	Ref Drawing	QA-L-02
Date	TROLLEY; LOW HEADROOM			1:6.5 Foster
SLEIGH/MECE Owner/Design	2 ROPE FALLS			
R&M MATERIALS HANDLING INC.	R&M MATERIALS HANDLING, INC. HOIST & CRANE PRODUCTS SPRINGFIELD, OHIO			D002075-A
				8