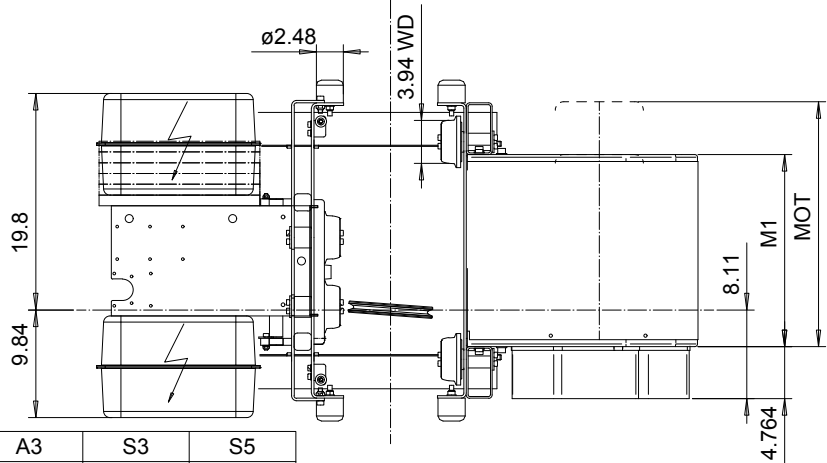
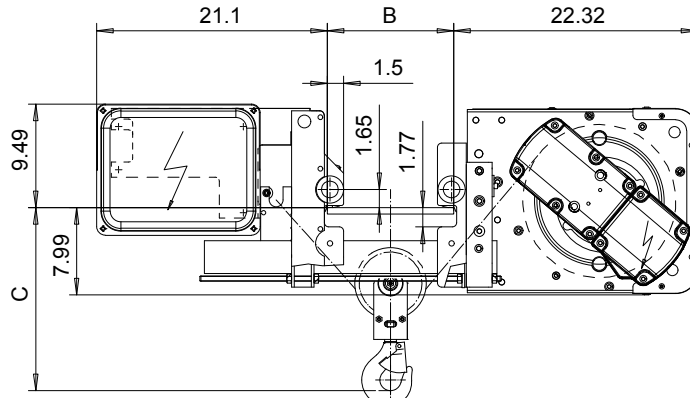
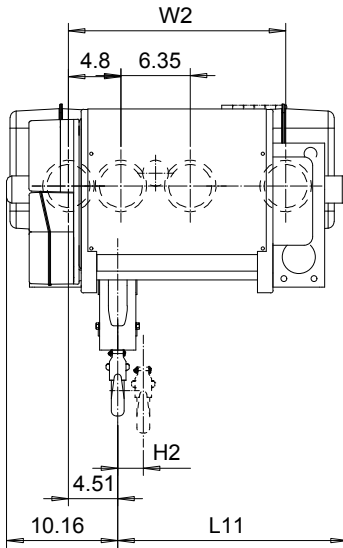


LOW HEADROOM, 2 PART SINGLE (A2), SPECIAL
Hoist type:
SX4 021 (A2)...L0

US-60Hz



Motor	P2	P4	A3	S3	S5
MOT (in)	17.56	22.6	17.6	20.7	23.7
Weight (lb)	77	117	71	62	117

HEADROOM TABLE - C dimension		
Flange Width, B (in)	Headroom, C (in)	with HS22 Hook oper limit switch (in)
3.93 - 9.84	17.75	24.25
9.88 - 11.81	17.75	24.25
11.85 - 13.78	18.7	24.25
13.81 - 15.75	19.9	24.25
15.78 - 17.72	21.3	24.25
17.75 - 19.3	22.5	24.25

Headroom is related to the flange width

HOL (ft)	Length code	H2 (inch)	L11 (inch)	M1 (inch)	W2 (inch)	Approx Weight (lb)
73'-9"	C	5.66	17.56	17.95	19.88	822
98'-5"	D	7.59	21.5	21.89	23.81	866

Load (TON)	Class ASME
1/2	H4+
3/4	H4+
1 1/2	H4

This document is the absolute property of R&M Materials Handling, Inc. This document must not be copied without the written permission of R&M Materials Handling, Inc. The contents thereof must not be disclosed to a third party nor be used for any unauthorized purpose. Contravention will be prosecuted.

CSDPAL Design	CSDPAL Chd	Appd	Ref Drawing	QB-L-A2
2002-08-28 Date	TROLLEY; LOW HEADROOM			1:7.5
SLEIENG1 Owner Dept	2 ROPE FALLS, 1600 kg			Folder
R&M MATERIALS HANDLING INC.	R&M MATERIALS HANDLING INC HOIST & CRANE PRODUCTS SPRINGFIELD, OHIO	D002106-A		Issue 6