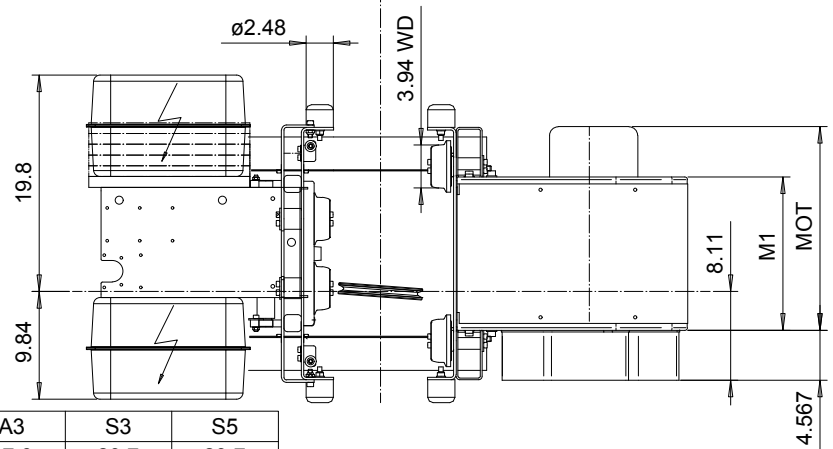
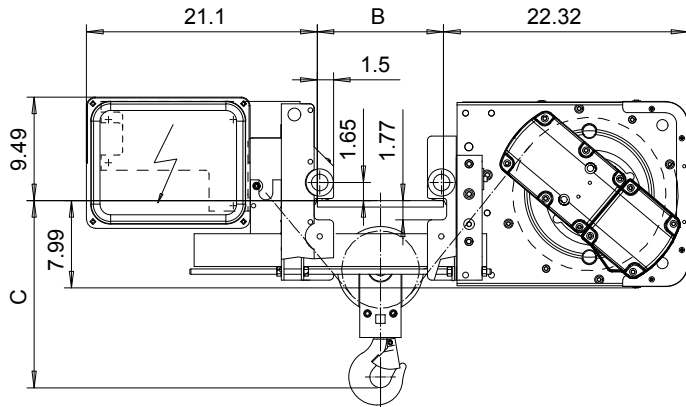
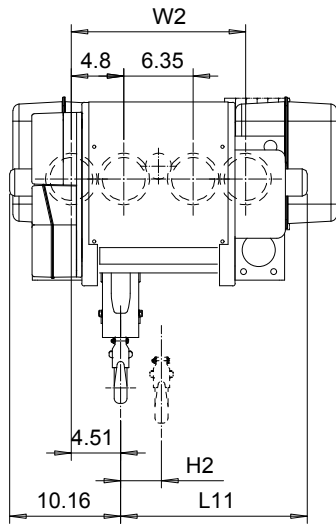


**LOW HEADROOM, 2 PART SINGLE**  
**Hoist type:**  
**SX4 021...L0**

US-60Hz



Motor	P3	P4	A3	S3	S5
MOT (in)	18.7	22.6	17.6	20.7	23.7
Weight (lb)	77	117	71	62	117

HEADROOM TABLE - C DIMENSION		
Flange Width, B (in)	Headroom, C (in)	with HS22 Hook oper limit switch (in)
3.93 - 9.84	17.3	25.8
9.88 - 11.81	18.5	25.8
11.85 - 13.78	19.9	25.8
13.81 - 15.75	21.06	25.8
15.78 - 17.72	22.5	25.8
17.75 - 19.3	23.4	25.8

Headroom is related to the flange width

HOL (ft)	Length code	H2 (inch)	L11 (inch)	M1 (inch)	W2 (inch)	Approx Weight (lb)
39'-4"	B	3.74	13.62	14.03	15.94	834
59'-0"	C	5.66	17.56	17.95	19.88	878
78'-8"	D	7.59	21.5	21.89	23.81	922

Load (TON)	Class ASME
1 1/2	H4+
2	H4+
2 1/2	H4

Approx. weight calculated with P1 motor.

This document is the absolute property of R&M Materials Handling, Inc. This document must not be copied without the written permission of R&M Materials Handling, Inc. The contents thereof must not be disclosed to a third party nor be used for any unauthorized purpose. Contravention will be prosecuted.

ETTPAL Design	ETTPAL Chd	Appd	Ref Drawing	QB-L-02
2002-08-27 Date	TROLLEY; LOW HEADROOM			1:7.5
SLEQDQCV Owner Dept	2 ROPE FALLS			Folder
R&M MATERIALS HANDLING INC.	R&M MATERIALS HANDLING, INC. HOIST & CRANE PRODUCTS SPRINGFIELD, OHIO	D002087-A		Issue 6