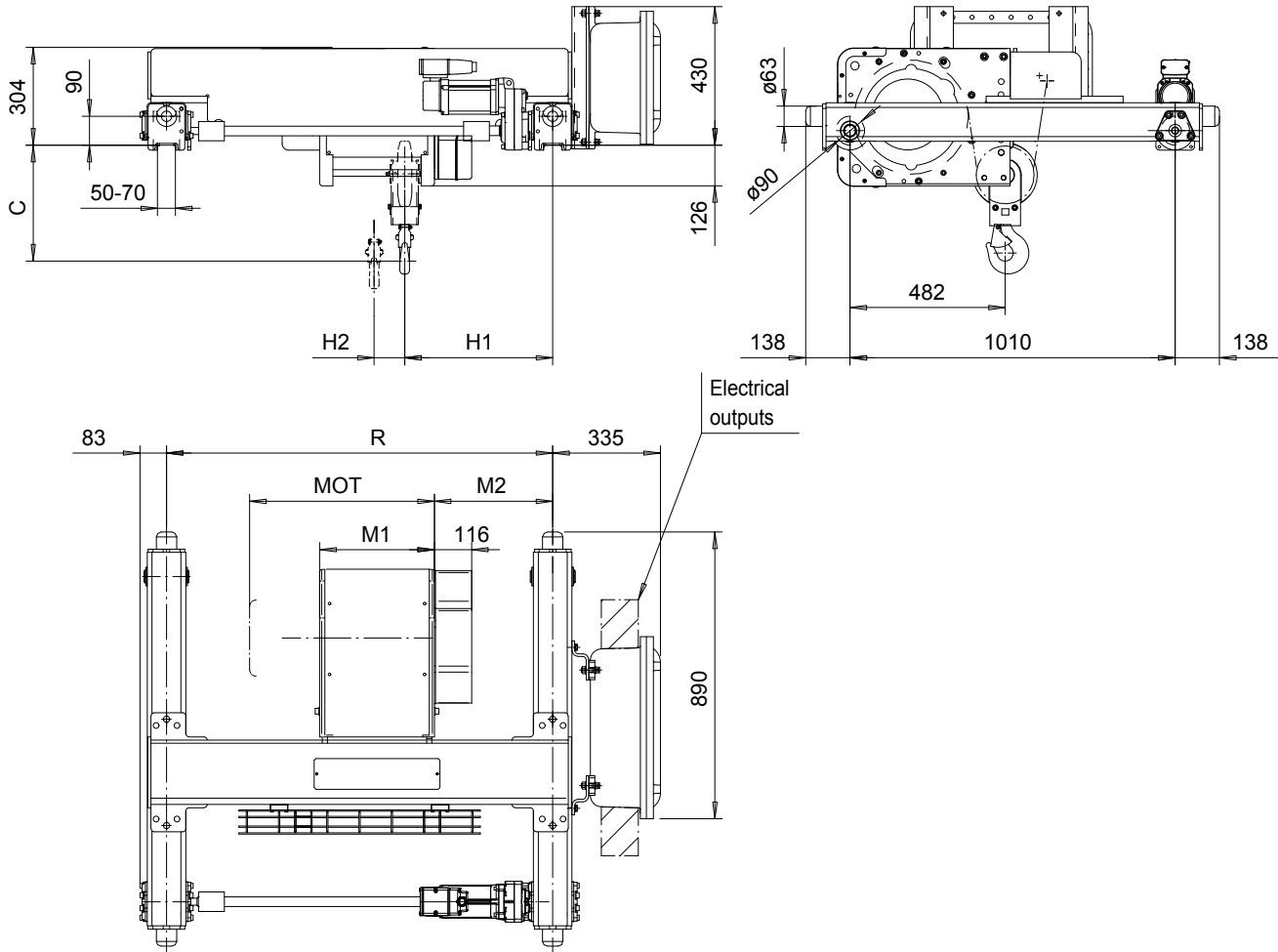


R&M SPACEMASTER EX

DOUBLE GIRDER, 2 PART SINGLE SX4 EX 021...D0



SI-60Hz

Motor	P2	P3
MOT (mm)	446	476
Weight (kg)	31	35

HOL	Length	M1	M2	H1	H2	min R	Approx Weight
(m)	code	(mm)	(mm)	(mm)	(mm)	(mm)	(kg)
12	B	356	368	459	95	1200	310
18	C	456	368	459	144	1200	320
24	D	556	468	559	193	1400	335
30	E	676	468	559	252	1400	350

Load	Class
(kg)	Fem/ISO
1600	3m/M6
2000	3m/M6
2500	2m/M5

min R is minimum rail gauge when service platform or second brake is supplied.
Standard rail gauges are 1200, 1400, 1700 and 2000 mm