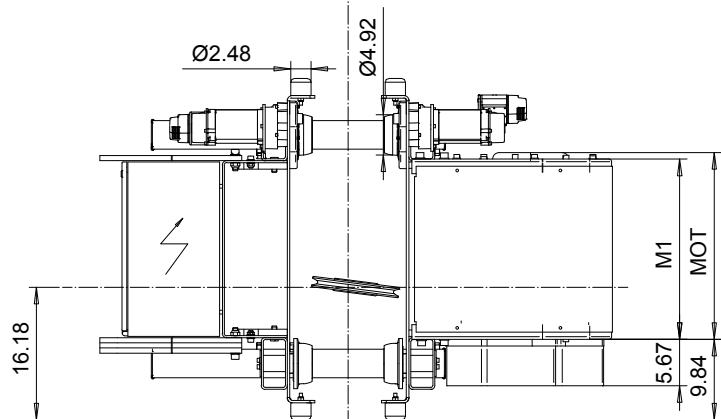
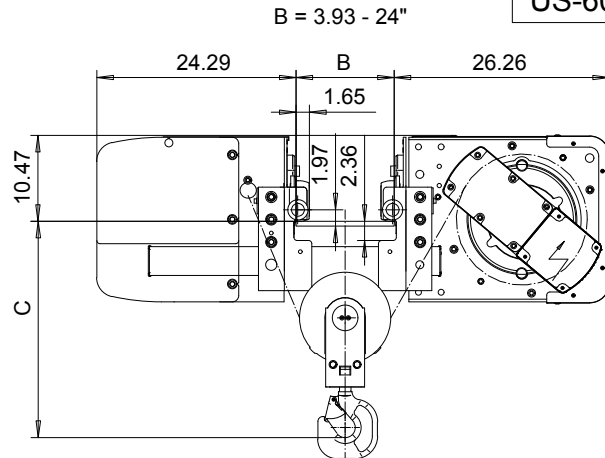
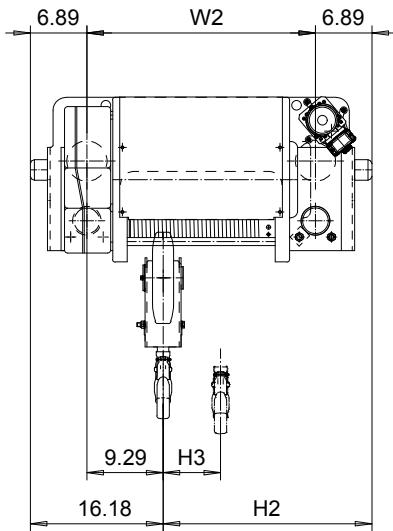


LOW HEADROOM, 2 PART SINGLE
Hoist type:
SX5 021...L0

US-60Hz



Load (lb)	Class ASME
4	H4+
5	H4

Motor	P5	P6	P7	A5	S5	S7
MOT (in)	22.76	22.76	24.33	19.61	23.86	29.8
Weight (lb)	128	187	231	99	117	179

Flange Width, B (in)	Standard (in)	with HS22 Hook oper limit switch (in)
3.93 - 7.83	24.8	28.75
7.87 - 10.19	23.6	28.93
10.23 - 17.32	22.8	29.93
17.36 - 21.26	25.2	29.75
21.69 - 24	26.8	29.13

Headroom is related to the flange width

HOL (ft)	Length code	M1 (inch)	H2 (inch)	H3 (inch)	W2 (inch)	Approx Weight (lb)
59'-0"	D	21.97	25.47	6.92	27.87	1312
78'-8"	E	26.69	30.19	9.25	32.59	1411
104'-11"	F	32.6	37.25	12.16	38.50	1521

Approx. Weight calculated with P5 motor.

This document is the absolute property of R&M Materials Handling, Inc. This document must not be copied without the written permission of R&M Materials Handling, Inc. The contents thereof must not be disclosed to a third party nor be used for any unauthorized purpose. Contravention will be prosecuted.

ETTPAL Design	ETTPAL Chd	Appd	Ref Drawing	QC-L-02
2002-08-29 Date	TROLLEY; LOW HEADROOM			1:10
SLEIKON Owner Dept	2 ROPE FALLS			Folder
R&M MATERIALS HANDLING INC.	R&M MATERIALS HANDLING, INC HOIST & CRANE PRODUCTS SPRINGFIELD, OHIO	D002112-A		Issue 6