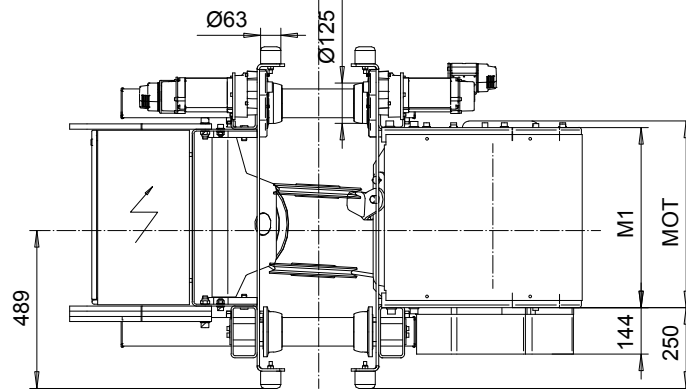
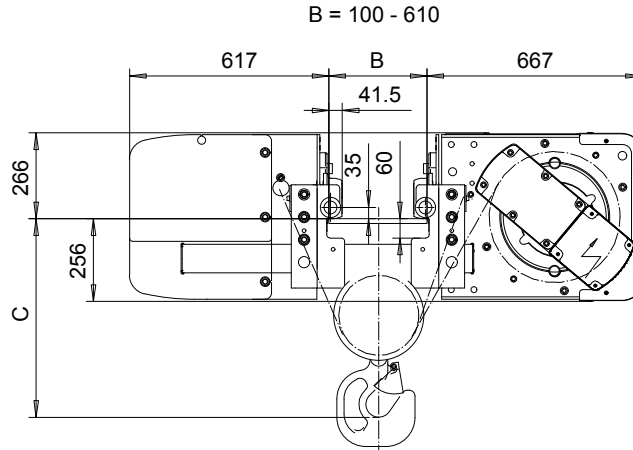
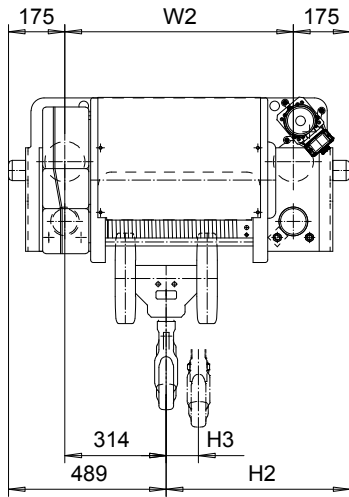


LOW HEADROOM, 4 PART SINGLE
Hoist type:
SX5 041...L0

SI-60Hz



| Load (kg) | Class Fem/ISO |
|-----------|---------------|
| 5000 | 3m/M6 |
| 6300 | 3m/M6 |
| 8000 | 3m/M6 |
| 10000 | 2m/M5 |

| Motor | P5 | P6 | P7 | A5 | S5 | S7 |
|-------------|-----|-----|-----|-----|-----|-----|
| MOT (mm) | 578 | 578 | 618 | 498 | 606 | 757 |
| Weight (kg) | 58 | 85 | 105 | 45 | 53 | 81 |

| HEADROOM TABLE - C DIMENSION | | |
|------------------------------|---------------|---------------------------------------|
| Flange Width, B (mm) | Standard (mm) | with HS22 Hook oper limit switch (mm) |
| 100 - 199 | 660 | 780 |
| 200 - 289 | 630 | 780 |
| 290 - 530 | 600 | 780 |
| 531 - 610 | 650 | 780 |

Headroom is related to the flange width

| HOL (m) | Length code | M1 (mm) | H2 (mm) | H3 (mm) | W2 (mm) | Approx Weight (kg) |
|---------|-------------|---------|---------|---------|---------|--------------------|
| 9 | D | 558 | 647 | 88 | 708 | 610 |
| 12 | E | 678 | 767 | 118 | 828 | 660 |
| 16 | F | 828 | 946 | 156 | 978 | 710 |

Approx. Weight calculated with P5 motor.

This document is the absolute property of R&M Materials Handling, Inc. This document must not be copied without the written permission of R&M Materials Handling, Inc. The contents thereof must not be disclosed to a third party nor be used for any unauthorized purpose. Contravention will be prosecuted.

| | | | | |
|-----------------------------|--|-----------|-------------|---------|
| ETTPAL Design | ETTPAL Chd | Appd | Ref Drawing | QC-L-04 |
| 2002-08-29 Date | TROLLEY; LOW HEADROOM | | | 1:10 |
| SLEQDQCV Owner Dept | 4 ROPE FALLS | | | Folder |
| R&M MATERIALS HANDLING INC. | R&M MATERIALS HANDLING, INC HOIST & CRANE PRODUCTS SPRINGFIELD, OHIO | D002117-A | | Issue 6 |