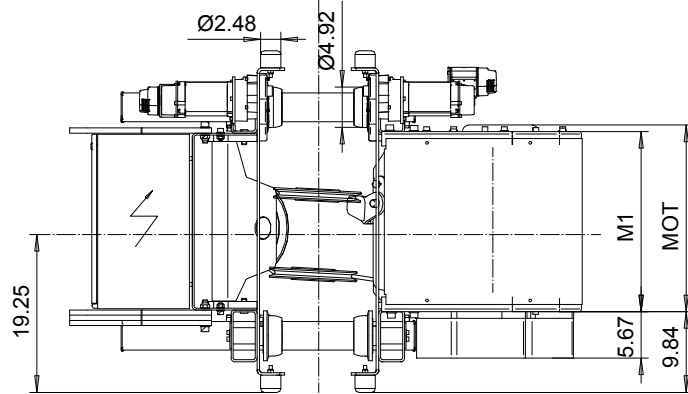
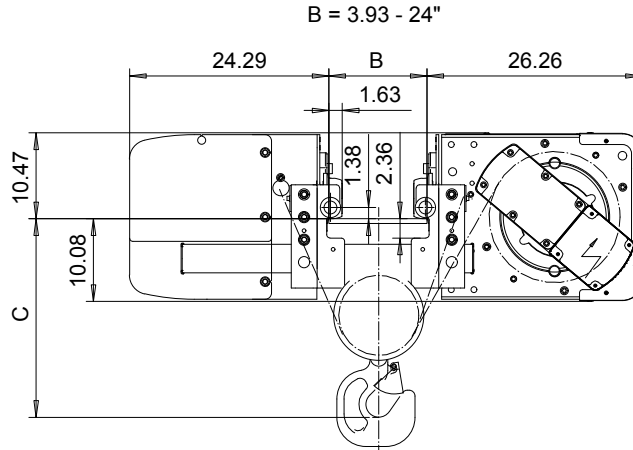
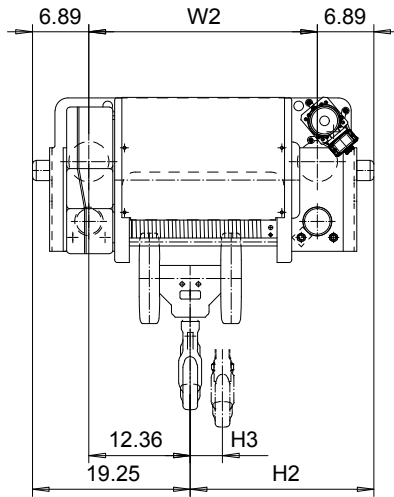


LOW HEADROOM, 4 PART SINGLE
Hoist type:
SX5 041...L0

US-60Hz



Load (ton)	Class ASME
5	H4+
6	H4+
7 1/2	H4+
10	H4

Motor	P5	P6	P7	A5	S5	S7
MOT (in)	22.76	22.76	24.33	19.61	23.86	29.8
Weight (lb)	128	187	231	99	117	179

HEADROOM TABLE - C DIMENSION		
Flange Width, B (in)	Headroom, C (in)	with HS22 Hook oper limit switch (in)
3.93 - 7.83	26	30 3/4
7.87 - 11.38	25	30 3/4
11.43 - 20.87	23 5/8	30 3/4
20.91 - 24	25 5/8	30 3/4

Headroom is related to the flange width

HOL (ft)	Length code	M1 (inch)	H2 (inch)	H3 (inch)	W2 (inch)	Approx Weight (lb)
29'-6"	D	21.97	25.47	3.5	27.87	1345
39'-4"	E	26.69	30.19	4.6	32.59	1455
52'-5"	F	32.6	37.25	6.1	38.50	1565

Approx. Weight calculated with P5 motor.

This document is the absolute property of R&M Materials Handling, Inc. This document must not be copied without the written permission of R&M Materials Handling, Inc. The contents thereof must not be disclosed to a third party nor be used for any unauthorized purpose. Contravention will be prosecuted.

ETTPAL Design	ETTPAL Chd	Appd	Ref Drawing	QC-L-04
2002-08-29 Date	TROLLEY; LOW HEADROOM			1:10
SLEQDQCV Owner Dept	4 ROPE FALLS			Folder
R&M MATERIALS HANDLING INC.	R&M MATERIALS HANDLING, INC HOIST & CRANE PRODUCTS SPRINGFIELD, OHIO	D002117-A		Issue 6