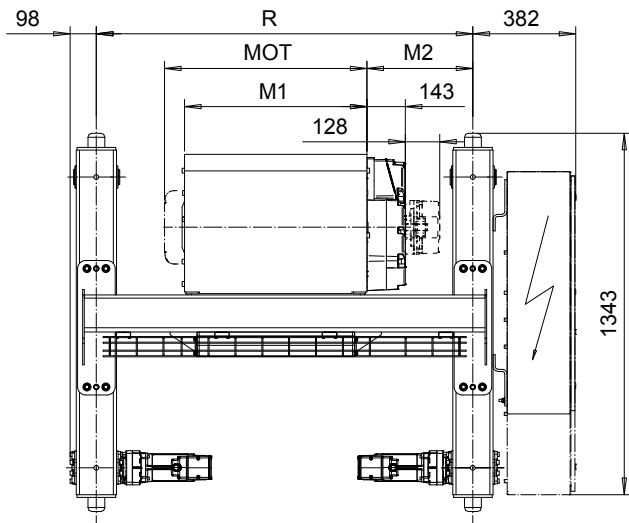
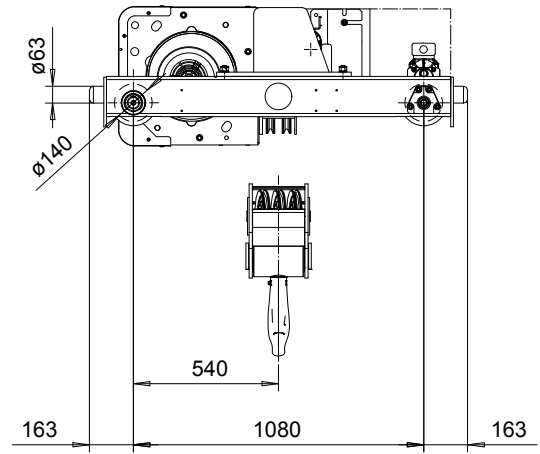
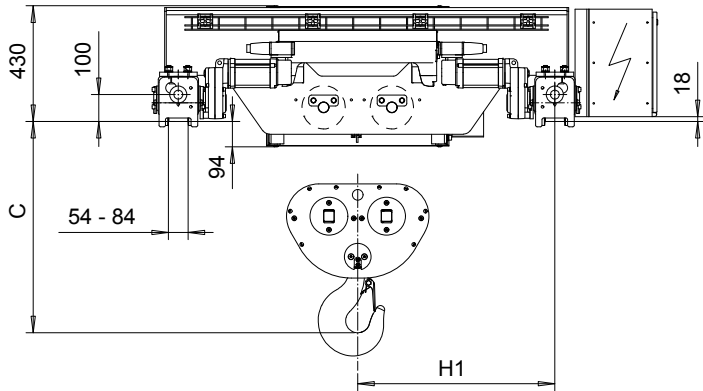


**DOUBLE GIRDER, MEDIUM, 6 PART DOUBLE**  
**Hoist type:**  
**SX5 062...D0**

SI-50Hz



Headroom - C dimension	
Standard	785 mm
with HS22 Hook operated limit switch	835 mm

Motor	P5	P6	P7	A5	S5	S7
MOT (mm)	578	578	618	498	606	757
Weight (kg)	58	85	105	45	53	81

Load (kg)	Class Fem/ISO
12000	3m/M6
15000	2m/M5

HOL (m)	Length code	H1 (mm)	M1 (mm)	M2 (mm)	min R (mm)	Approx. Weight (kg)
4	E	733	678	394	1400	780
6	F	883	828	469	1700	825
8	G	883	1018	374	1700	855
11	H	1033	1268	399	2000	935
15	J	1233	1618	424	2400	1020

**Note:**  
 R is standard gauge, minimum gauge with second brake or service platform  
 Primary brake is mounted on gearcase for drum lengths H and J  
 Standard rail gauge increments: 1400, 1700, 2000, and 2400 mm  
 Approx. Weight calculated with P5 motor.

This document is the absolute property of R&M Materials Handling, Inc. This document must not be copied without the written permission of R&M Materials Handling, Inc. The contents thereof must not be disclosed to a third party nor be used for any unauthorized purpose. Contravention will be prosecuted.

ETTPAL	ETTPAL	QC-M-26
Design	Chd	Appot
2002-08-30	TROLLEY; DOUBLE GIRDER	
Date	MEDIUM, 2x6 ROPE FALLS	
SLEQDQCV	Folder	
Owner Dept	Issue	
R&M MATERIALS HANDLING INC.	R&M MATERIALS HANDLING, INC HOIST & CRANE PRODUCTS SPRINGFIELD, OHIO	D007173-A
3		