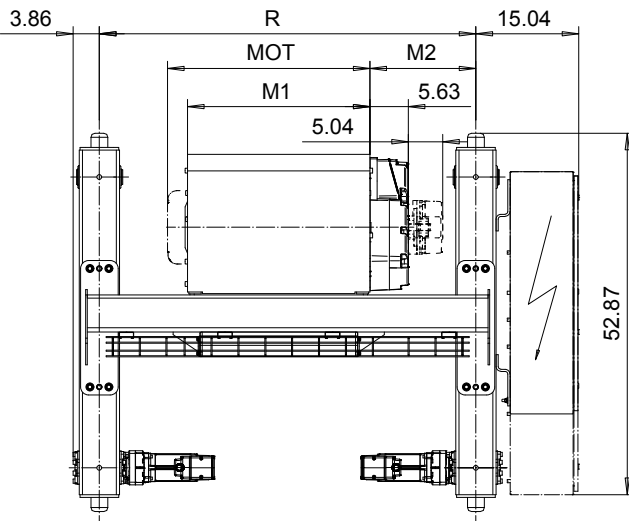
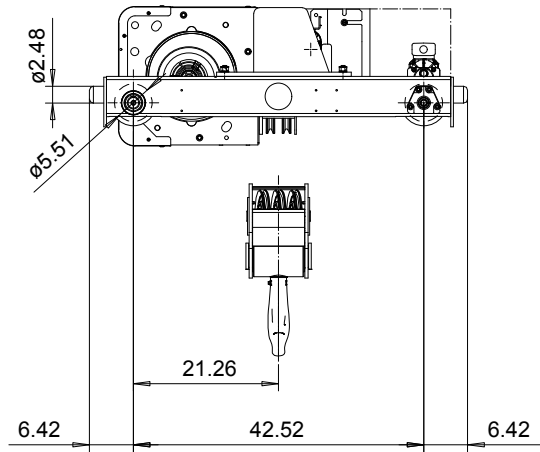
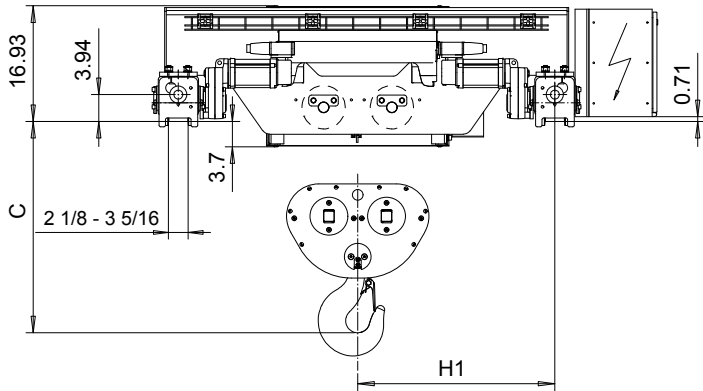


**DOUBLE GIRDER, MEDIUM, 6 PART DOUBLE**  
**Hoist type:**  
**SX5 062...D0**

**US-60Hz**



Headroom - C dimension	
Standard	30.91"
with HS22 Hook operated limit switch	32.91"

Motor	P5	P6	P7	A5	S5	S7
MOT (in)	22.76	22.76	24.33	19.61	23.86	29.8
Weight (lb)	128	187	231	99	117	179

Load (TON)	Class ASME
12	H4+
15	H4

HOL (ft)	Length code	H1 (inch)	M1 (inch)	M2 (inch)	R (inch)	Approx. Weight (lb)
13'-1"	E	28.86	26.69	15.51	55.12	1720
19'-8"	F	34.76	32.6	18.46	66.93	1819
26'-2"	G	34.76	40.08	14.72	66.93	1885
36'-1"	H	40.67	49.92	15.71	78.74	2061
49'-2"	J	48.54	63.7	16.69	94.49	2249

**Note:**  
 R is standard gauge, minimum gauge with second brake or service platform  
 Primary brake is mounted on gearcase for drum lengths H and J  
 Standard rail gauge increments: 4'-7 1/8", 5'-6 7/8", 6'-6 3/4", 7'-10 1/2"  
 Approx. Weight calculated with P5 motor.

This document is the absolute property of R&M Materials Handling, Inc. This document must not be copied without the written permission of R&M Materials Handling, Inc. The contents thereof must not be disclosed to a third party nor be used for any unauthorized purpose. Contravention will be prosecuted.

ETTPAL Design 2002-08-30 Date SLEQDQCV Owner Dept	ETTPAL Chd Appt Ref Drawing	QC-M-26
TROLLEY; DOUBLE GIRDER MEDIUM, 2x6 ROPE FALLS		1 / 12 Folder
R&M MATERIALS HANDLING INC.	R&M MATERIALS HANDLING, INC HOIST & CRANE PRODUCTS SPRINGFIELD, OHIO	D007173-A Issue 3