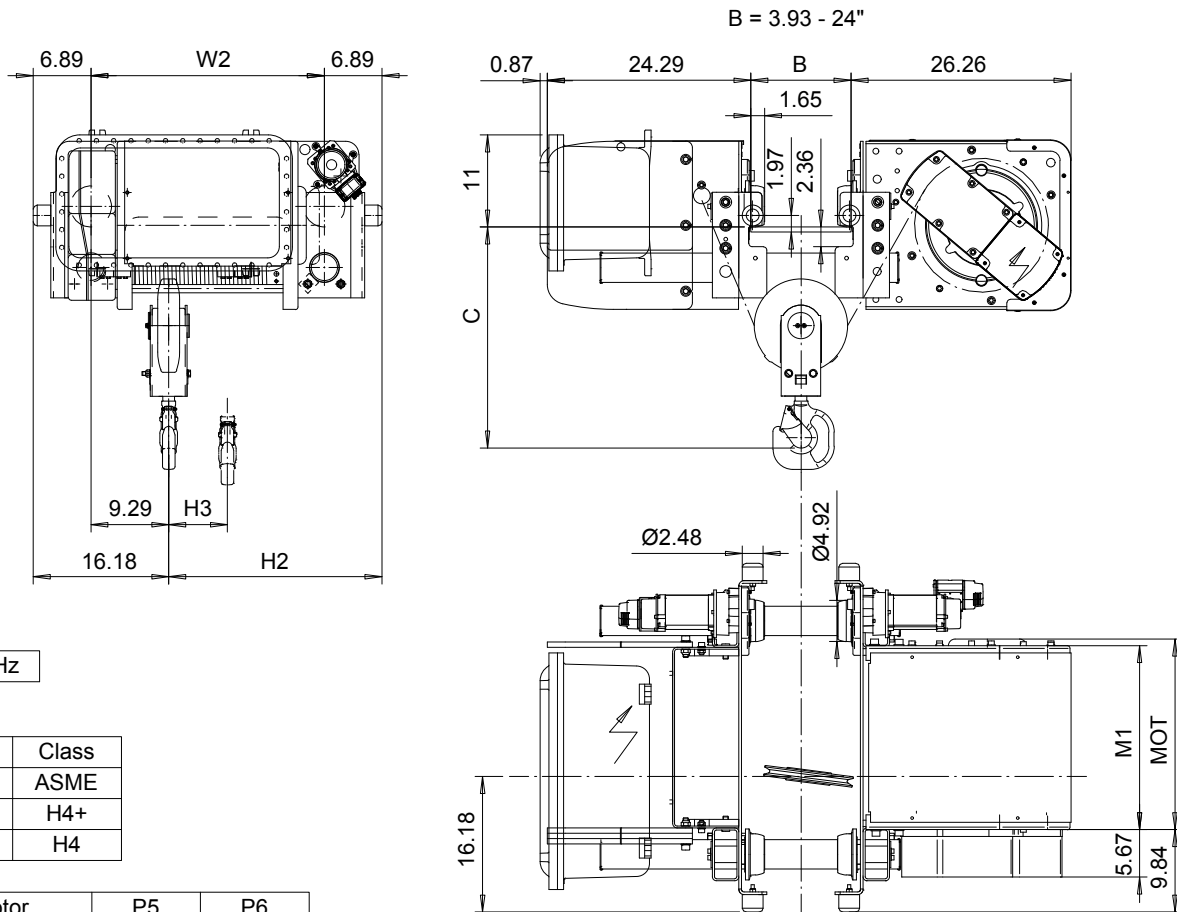


R&M SPACEMASTER EX

LOW HEADROOM, 2 PART SINGLE
SX5 EX 021...L0



US-60Hz

| Load (lb) | Class ASME |
|-----------|------------|
| 4 | H4+ |
| 5 | H4 |

| Motor | P5 | P6 |
|-------------|-------|-------|
| MOT (in) | 22.76 | 22.76 |
| Weight (lb) | 128 | 187 |

| HEADROOM TABLE - C DIMENSION | |
|------------------------------|---------------|
| Flange Width, B (in) | Standard (in) |
| 3.93 - 7.83 | 24.8 |
| 7.87 - 10.19 | 23.6 |
| 10.23 - 17.32 | 22.8 |
| 17.36 - 21.26 | 25.2 |
| 21.69 - 24 | 26.8 |

| HOL (ft) | Length code | M1 (inch) | H2 (inch) | H3 (inch) | W2 (inch) | Approx Weight (lb) |
|----------|-------------|-----------|-----------|-----------|-----------|--------------------|
| 59'-0" | D | 21.97 | 25.47 | 6.92 | 27.87 | 1532 |
| 78'-8" | E | 26.69 | 30.19 | 9.25 | 32.59 | 1631 |
| 104'-11" | F | 32.6 | 37.25 | 12.16 | 38.50 | 1741 |