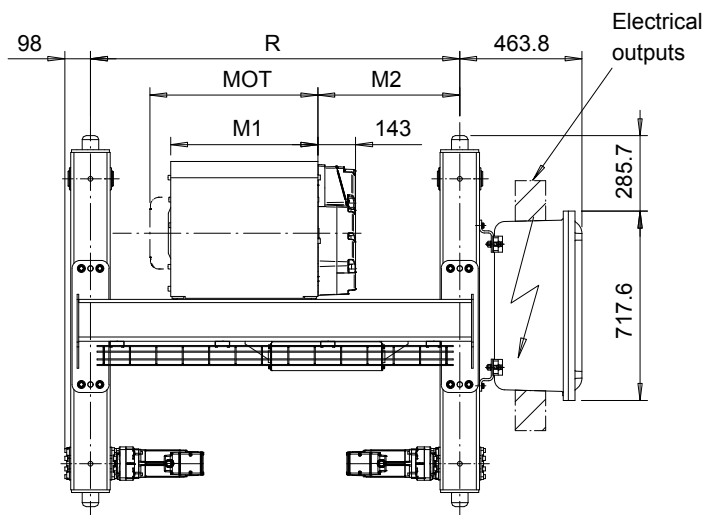
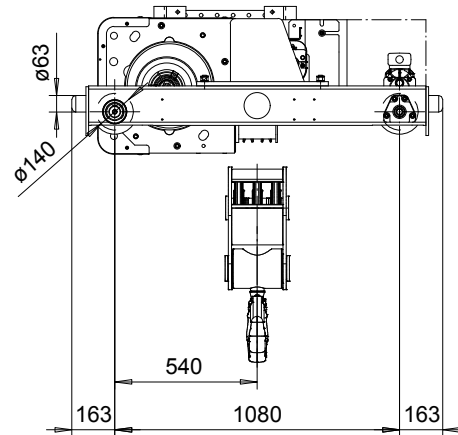
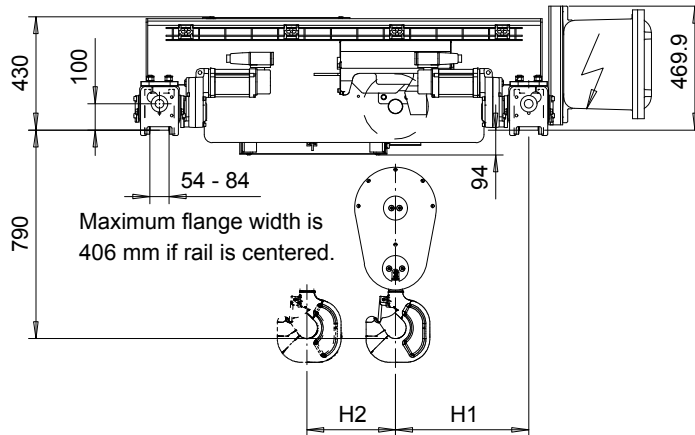


R&M SPACEMASTER EX

DOUBLE GIRDER, 6 PART SINGLE
SX5 EX 061...D0



SI-60Hz

Motor	P5	P6
MOT (mm)	578	578
Weight (kg)	58	85

Load (kg)	Class Fem/ISO
12000	3m/M6
15000	2m/M5

HOL (m)	Length code	M1 (mm)	M2 (mm)	R (mm)	H1 (mm)	H2 (mm)	Approx. Weight (kg)
6	D	558	538	1400	505	53	860
8	E	678	758	1700	725	78	905
10	F	828	913	2000	880	98	950
13	G	1018	1123	2400	1090	132	1015

min R is minimum rail gauge when service platform or second brake is supplied.
Standard rail gauges are 1400, 1700, 2000, and 2400