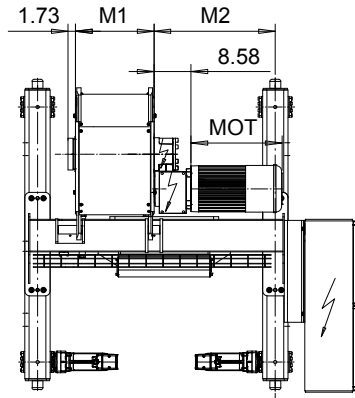
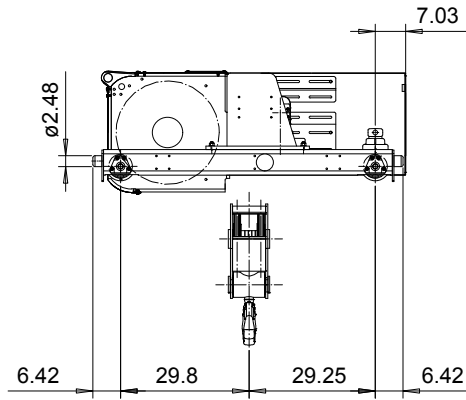
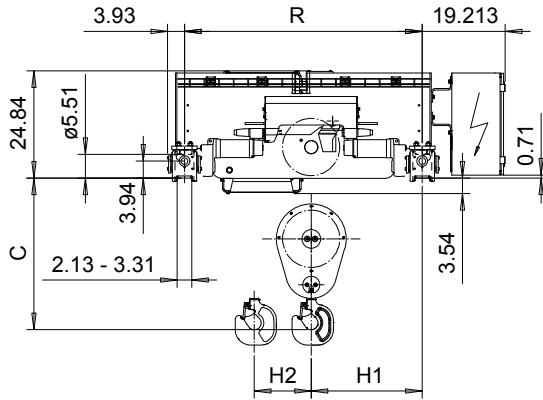


DOUBLE GIRDER, MEDIUM, 4 PART SINGLE
Hoist type:
SX6 041...D0

US-60Hz



HOL	HOL*	Length	M1	M2	H1	H2	Min R	Max R	Approx Weight
(ft)	(ft)	code	(inch)	(inch)	(inch)	(inch)	(ft)	(ft)	(lb)
24'-6"	14'-9"	C	18.19	28.11	25.75	2.72	4'-7 1/8"	4'-7 1/8"	2844
34'-5"	24'-7"	D	22.13	31.46	29.09	3.7	5'-6 15/16"	8'-10 5/16"	2998
45'-11"	36'-1"	E	26.85	31.46	29.09	4.92	5'-6 15/16"	10'-2"	3109
59'-0"	49'-3"	F	32.76	37.36	35	6.34	6'-6 3/4"	10'-2"	3307
77'-1"	67'-3"	G	40.24	45.24	42.87	8.27	7'-10 1/2"	10'-2"	3572
100'-0"	90'-3"	H	50.08	57.83	55.47	10.75	10'-2"	12'-5 5/8"	3946
131'-2"	121'-5"	J	63.86	61.38	59.02	14.17	11'-1 7/8"	13'-9 3/8"	4409
159'-1"	149'-3"	K	75.67	76.54	74.17	17.09	13'-9 3/8"	13'-9 3/8"	4938

HOL* with optional drum brake Weight of drum brake is 176 lb.

Motor	P6	P7	P8	A7	S7	S8	SA
MOT (in)	21.1	22.7	28	21.1	28.1	30	31.6
Weight (lb)	187	231	234	157	179	214	265

Load	Class
(TON)	ASME
12 1/2	H4+
15	H4
20	H3

Headroom - C dimension	
Standard	35.25"
with HS22 Hook operated limit switch	37.25"

Standard rail gauges are 4'-7 1/8", 5'-6 15/16", 6'-6 3/4", 7'-10 1/2", 8'-10 5/16", 10'-2", 11'-1 7/8", 12'-5 5/8" and 13'-9 3/8".

H1 and M2 are listed at Min R.

Hoist weight calculated at Min R, with P6 motor, without drum brake.

This document is the absolute property of R&M Materials Handling, Inc. This document must not be copied without the written permission of R&M Materials Handling, Inc. The contents thereof must not be disclosed to a third party nor be used for any unauthorized purpose. Contravention will be prosecuted.

ETTPAL Design	ETTPAL Chd	Appd	Ref Drawing	QD-M-04
2002-09-02 Date	TROLLEY; DOUBLE GIRDER			1:19
SLEODOCV Owner Dept	MEDIUM, 4 ROPE FALLS			Folder
R&M MATERIALS HANDLING INC.	R&M MATERIALS HANDLING, INC. HOIST & CRANE PRODUCTS SPRINGFIELD, OHIO	D006648-A		Issue 6