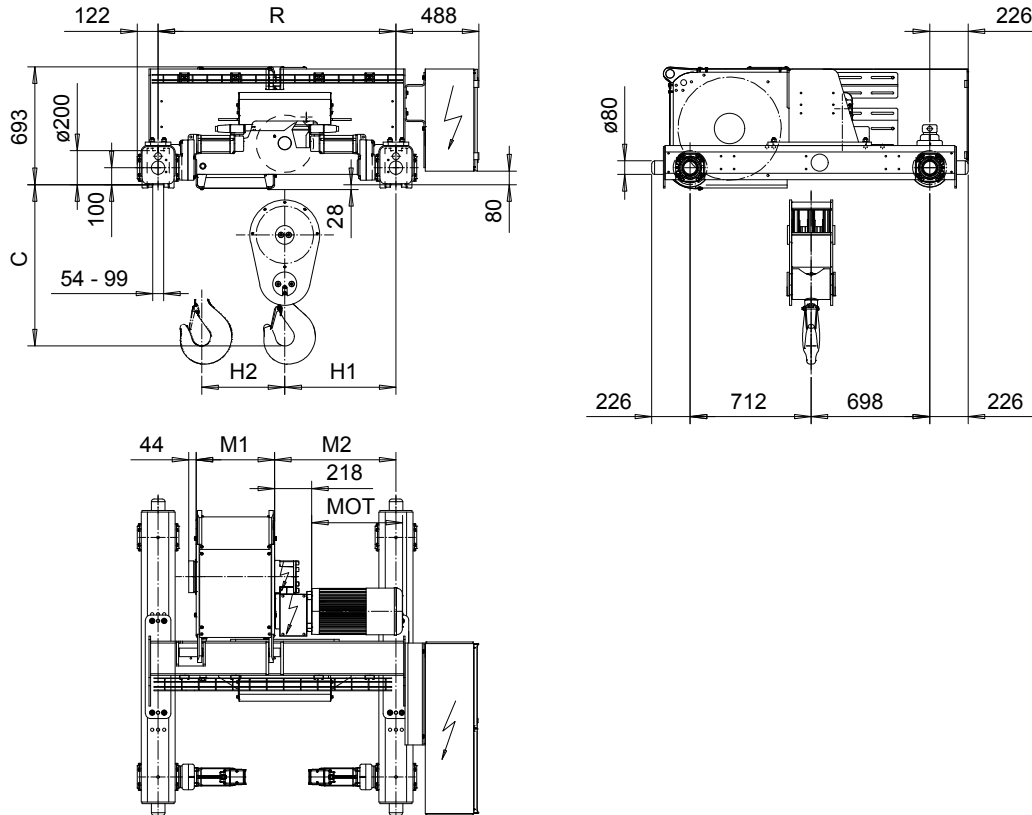


**DOUBLE GIRDER, MEDIUM, 6 PART SINGLE**  
Hoist type:  
**SX6 061...D0**

SI-60Hz



HOL	HOL*	Length	M1	M2	H1	H2	Min R	Max R	Approx Weight
(m)	(m)	code	(mm)	(mm)	(mm)	(mm)	(mm)	(mm)	(kg)
5	3	C	462	714	654	46	1400	1400	1570
7	5	D	562	799	739	63	1700	2700	1650
9	7	E	682	799	739	84	1700	3100	1700
12	10	F	832	949	889	107	2000	3100	1800
15.5	13.5	G	1022	1149	1089	140	2400	3100	1940
20	18	H	1272	1469	1409	182	3100	3800	2210
26.5	24.5	J	1622	1559	1499	240	3400	4200	2430
32	30	K	1922	1944	1884	289	4200	4200	2820

HOL\* with optional drum brake Weight of drum brake is 80 kg.

Motor	P6	P7	P8	A7	S7	S8	SA
MOT (mm)	536	576	711	536	715	763	803
Weight (kg)	85	105	106	71	81	97	120

Load	Class
(kg)	Fem/ISO
20000	3m/M6
25000	2m/M5
30000	1Am/M4

Headroom - C dimension	
Standard	949 mm
with HS22 Hook operated limit switch	999 mm

Standard rail gauges are 1400, 1700, 2000, 2400, 2700, 3100, 3400, 3800, and 4200 mm.

H1 and M2 are listed at Min R.

Hoist weight calculated at Min R, with P6 motor, without drum brake.

This document is the absolute property of R&M Materials Handling, Inc. This document must not be copied without the written permission of R&M Materials Handling, Inc. The contents thereof must not be disclosed to a third party nor be used for any unauthorized purpose. Contravention will be prosecuted.

ETTPAL Design	ETTPAL Chd	Appd	Ref Drawing	QD-M-06
2002-09-02 Date	TROLLEY; DOUBLE GIRDER			1:19
SLEODOCV Owner Dept	MEDIUM, 6 ROPE FALLS			Folder
R&M MATERIALS HANDLING INC.	R&M MATERIALS HANDLING, INC. HOIST & CRANE PRODUCTS SPRINGFIELD, OHIO	D006649-A		Issue 5