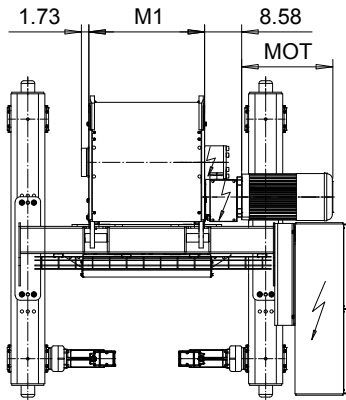
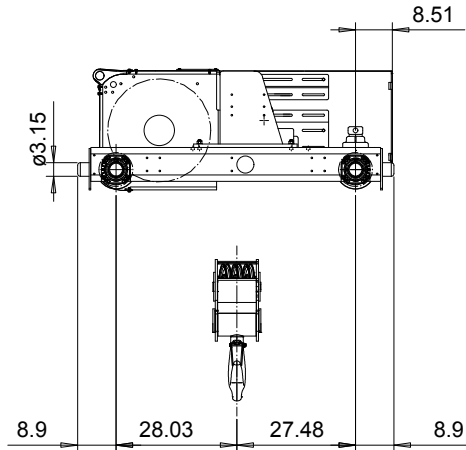
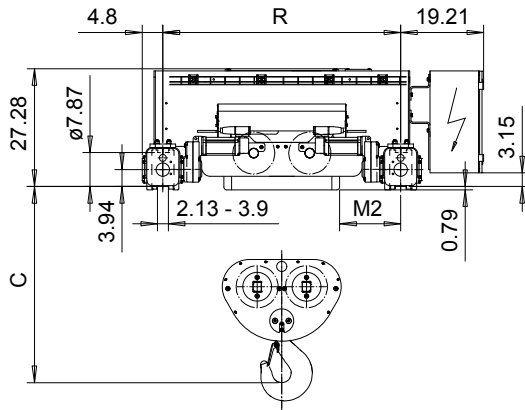


# DOUBLE GIRDER, MEDIUM, 6 PART DOUBLE

Hoist type:  
SX6 062...D0

US-60Hz



HOL (ft)	HOL* (ft)	Length code	M1 (inch)	M2 (inch)	Min R (ft)	Max R (ft)	Approx Weight (lb)
16'-5"	N.A.	E	26.85	14.13	4'-7 1/8"	6'-6 3/4"	3638
23'-0"	16'-5"	F	32.76	17.09	5'-6 15/16"	7'-10 1/2"	3814
31'-2"	24'-7"	G	40.24	13.35	5'-6 15/16"	8'-10 5/16"	3968
41'-0"	34'-5"	H	50.08	14.33	6'-6 3/4"	10'-2"	4233
55'-10"	49'-2"	J	63.86	15.31	7'-10 1/2"	11'-1 7/8"	4630
68'-11"	62'-4"	K	75.67	15.31	8'-10 5/16"	11'-1 7/8"	5027
83'-8"	77'-1"	L	89.49	16.3	10'-2"	11'-1 7/8"	5490
93'-6"	86'-11"	M	99.29	17.28	11'-1 7/8"	12'-5 5/8"	5864
106'-7"	100'-1"	N	111.1	19.25	12'-5 5/8"	13'-9 3/8"	6327

HOL\* with optional drum brake Weight of drum brake is 176 lb.

Motor	P6	P7	P8	A7	S7	S8	SA
MOT (in)	21.1	22.7	28	21.1	28.1	30	31.6
Weight (lb)	187	231	234	157	179	214	265

Load (TON)	Class ASME
20	H4+
25	H4
30	H3

Headroom - C dimension	
Standard	45.5"
with HS22 Hook operated limit switch	47.5"

Standard rail gauges are 4'-7 1/8", 5'-6 15/16", 6'-6 3/4", 7'-10 1/2", 8'-10 5/16", 10'-2", 11'-1 7/8", 12'-5 5/8" and 13'-9 3/8".

M2 is listed at Min R.

Hoist weight calculated at Min R, with P6 motor, without drum brake.

This document is the absolute property of R&M Materials Handling, Inc. This document must not be copied without the written permission of R&M Materials Handling, Inc. The contents thereof must not be disclosed to a third party nor be used for any unauthorized purpose. Contravention will be prosecuted.

ETTPAL Design	ETTPAL Chd	Appd	Ref Drawing	QD-M-26
2002-09-02 Date	TROLLEY; DOUBLE GIRDER			1:19
SLEODOCV Owner Dept	MEDIUM, 2x6 ROPE FALLS			Folder
R&M MATERIALS HANDLING INC.	R&M MATERIALS HANDLING, INC HOIST & CRANE PRODUCTS SPRINGFIELD, OHIO	D006653-A		Issue 4