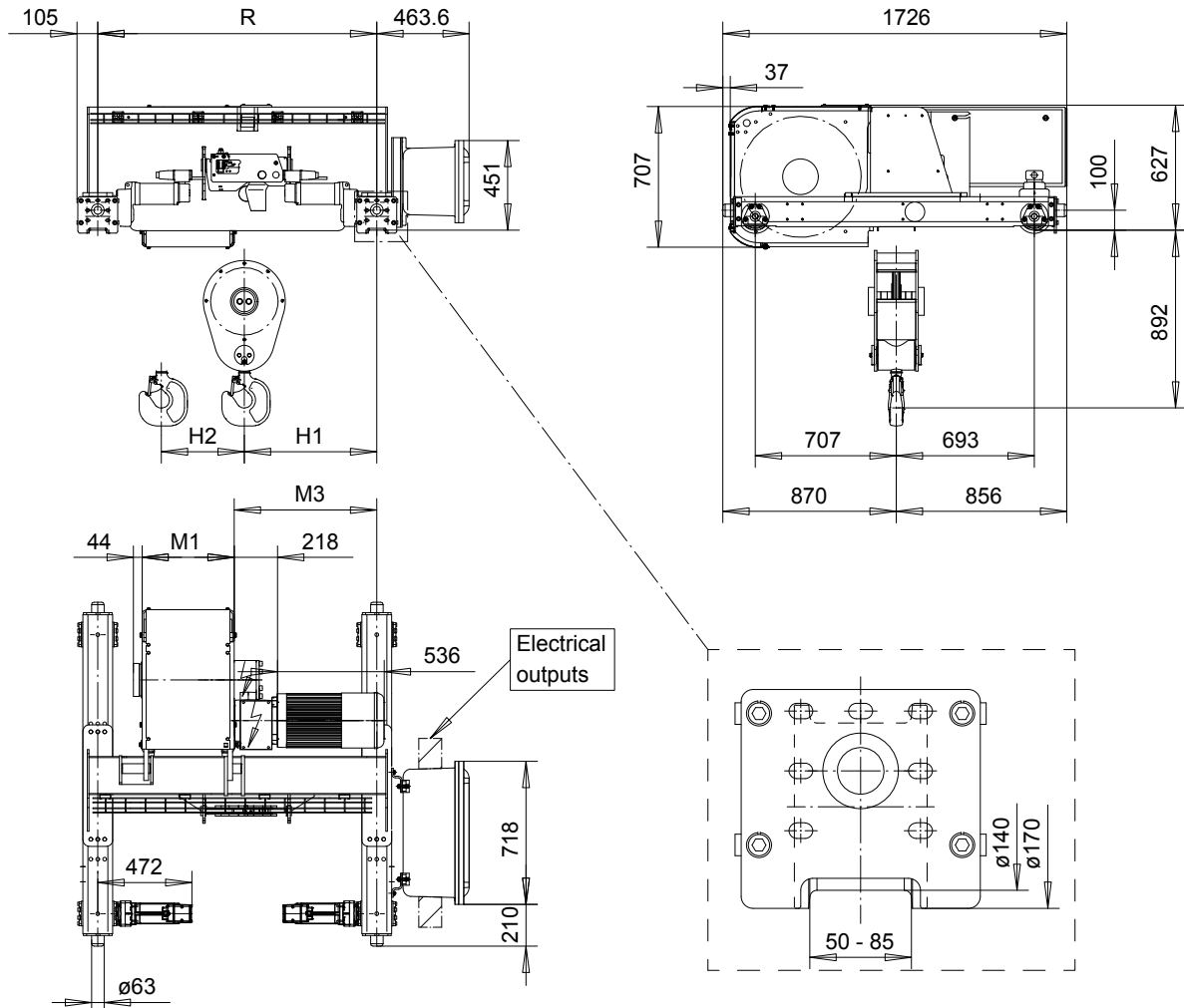


R&M SPACEMASTER EX

DOUBLE GIRDER, 2 PART SINGLE
SX6 EX 021...D0



SI-60Hz

Load (kg)	Class Fem/ISO	Hoisting speed (m/min)	
		9.5/1.6	12/2
6300	3m/M6	9.5/1.6	12/2
8000	2m/M5	9.5/1.6	12/2
10000	1Am/M4	9.5/1.6	-

HOL (m)	Length code	M1 (mm)	M3 (mm)	H1 (mm)	H2 (mm)	min R-max R (mm)	Weight (kg)
15.5	C	462	716	665	139	1400	1360
21	D	562	801	750	188	1700	1360
28	E	682	801	750	251	1700-2000	1400
36	F	832	951	950	322	2000-2700	1490
47	G	1022	1151	1100	421	2400-3100	1600
61	H	1272	1471	1420	546	3100-3800	1800
80.5	J	1622	1561	1510	721	3400-4200	2000
97	K	1922	1946	1895	868	4200	2250

min R is minimum rail gauge when service platform is supplied. Weight calculated at minR. Weight increases with longer gauges. Standard rail gauges are 1400, 1700, 2000, 2400, 2700, 3100, 3800, and 4200

R&M reserves the right to alter or amend the above information without notice