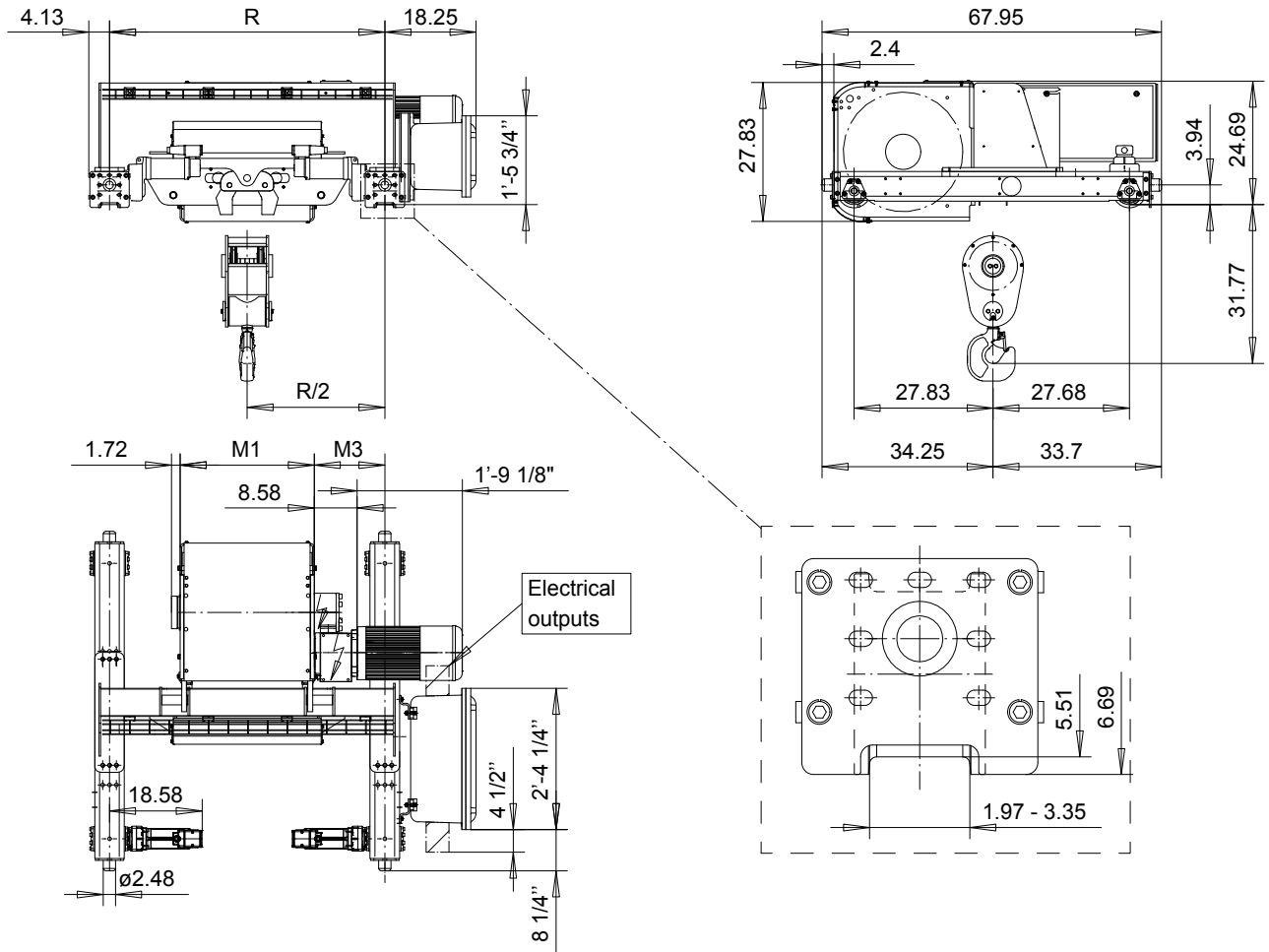


R&M SPACEMASTER EX

DOUBLE GIRDER, 2 PART DOUBLE
SX6 EX 022...D0



US-60Hz

Load (TON)	Class ASME	Hoisting speed (fpm)	
		30/4.9	40/6.7
6	H4+	30/4.9	40/6.7
7 1/2	H4	30/4.9	40/6.7
10	H3	30/4.9	-

HOL (ft-in)	Length code	M1 (in)	M3 (in)	min R-max R (in)	Weight (lb)
54'-2"	E	26 7/8	14 1/8	55 1/8	2822
72'-2"	F	32 3/4	17 1/16	66 15/16	3020
96'-9"	G	40 1/4	13 3/8	66 15/16 - 78 3/4	3153
127'-11"	H	50 1/16	14 5/16	78 3/4 - 94 1/2	3395
170'-7"	J	63 7/8	15 5/16	94 1/2 - 106 5/16	3748
208'-4"	K	75 11/16	15 5/16	106 5/16 - 122 1/16	4123
252'-7"	L	89 7/16	16 5/16	122 1/16 - 133 7/8	4652
283'-10"	M	99 5/16	17 5/16	133 7/8 - 149 5/8	4982
321'-6"	N	111 1/8	19 1/4	149 5/8 - 165 3/8	5401

min R is minimum rail gauge when service platform is supplied. Weight calculated at minR. Weight increases with longer gauges. Standard rail gauges are 55 1/8", 66 15/16", 78 3/4", 94 1/2", 106 5/16", 122 1/16", 133 7/8", 149 5/8", and 165 3/8"

R&M reserves the right to alter or amend the above information without notice