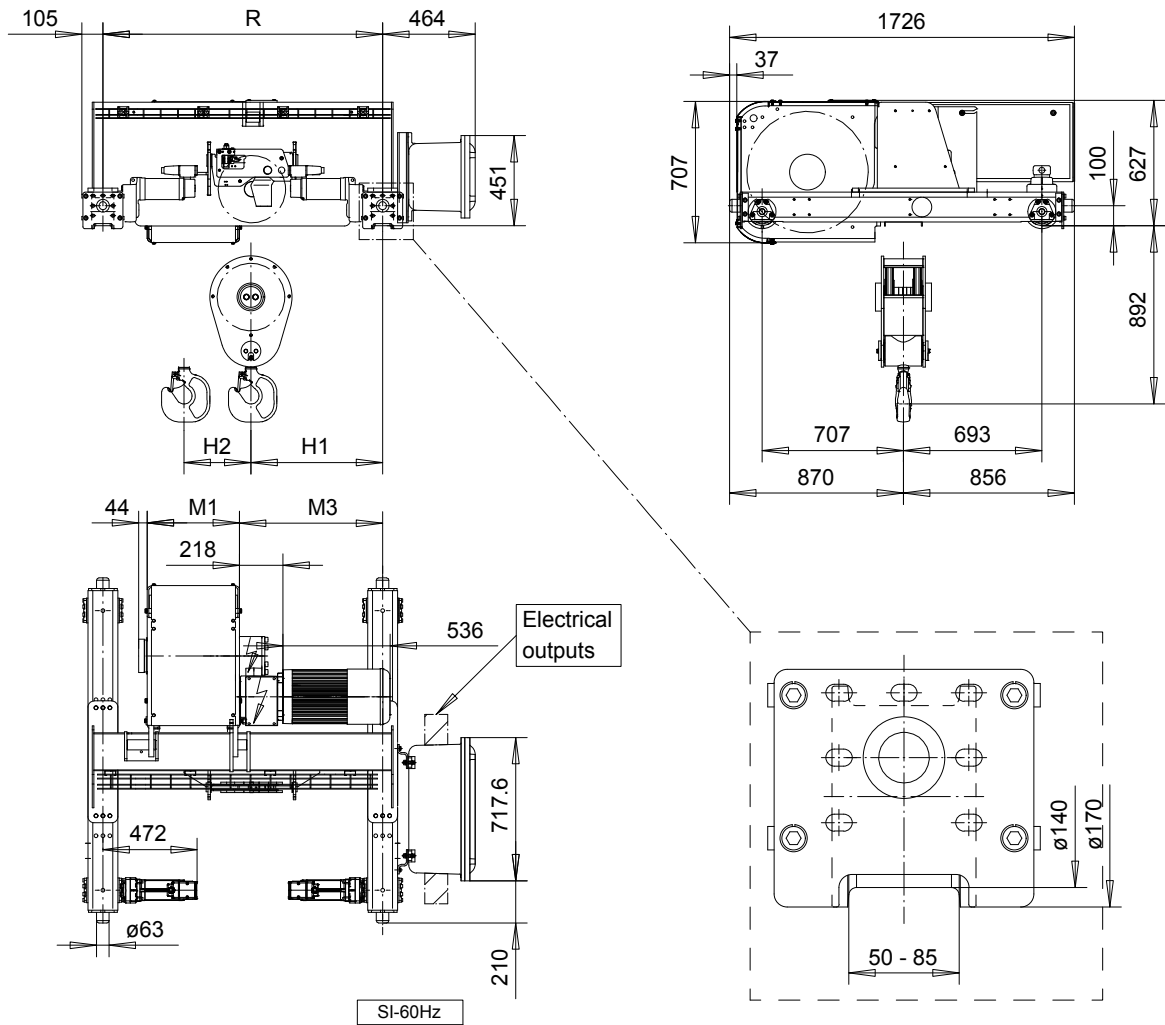


R&M SPACEMASTER EX

DOUBLE GIRDER, 4 PART SINGLE SX6 EX 041...D0



Load (kg)	Class Fem/ISO	Hoisting speed (m/min)	
		4.8/0.7	6/1
12500	3m/M6	4.8/0.7	6/1
16000	2m/M5	4.8/0.7	6/1
20000	1Am/M4	4.8/0.7	-

HOL (m)	Length code	M1 (mm)	M3 (mm)	H1 (mm)	H2 (mm)	min R-max R (mm)	Weight (kg)
7.5	C	462	716	659	69	1400	1400
10.5	D	562	801	744	94	1700	1400
14	E	682	801	744	125	1700-2000	1450
18	F	832	951	894	161	2000-2700	1530
23.5	G	1022	1151	1094	210	2400-3100	1640
30.5	H	1272	1471	1414	273	3100-3800	1840
40	J	1622	1561	1504	360	3400-4200	2050
48.5	K	1922	1946	1889	434	4200	2290

min R is minimum rail gauge when service platform is supplied. Weight calculated at minR. Weight increases with longer gauges. Standard rail gauges are 1400, 1700, 2000, 2400, 2700, 3100, 3800, and 4200

R&M reserves the right to alter or amend the above information without notice