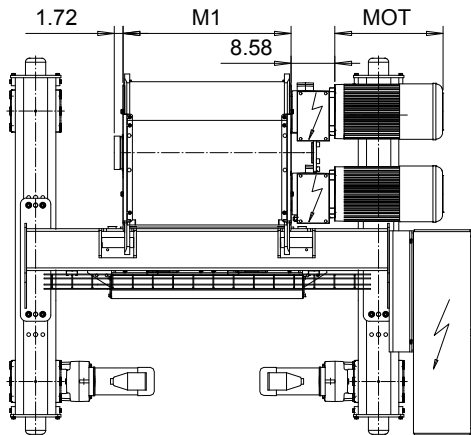
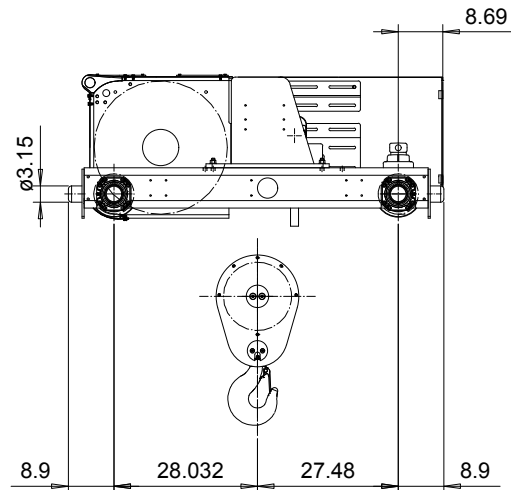
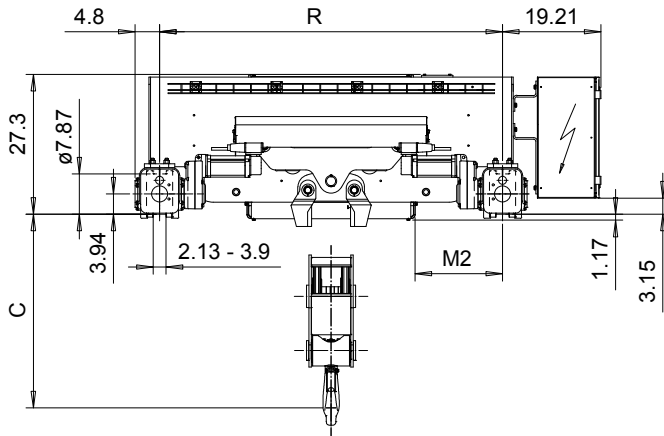


**DOUBLE GIRDER, MEDIUM, 2 PART DOUBLE**  
Hoist type:  
**SX7 022...D0**

US-60Hz



Headroom - C dimension	
Standard	38"
with HS22 Hook operated limit switch	40"

Motor	P6	P7	A7	S7	S8	SA
MOT (in)	21.1	22.7	21.1	28.1	30	31.6
Weight (lb)	187	231	157	179	214	265

HOL (ft)	HOL* (ft)	Length code	M1 (inch)	M2 (inch)	Min R (ft)	Max R (ft)	Approx Weight (lb)
50'-10"	29'-6"	F	32.76	17.09	5'-6 15/16"	7'-10 1/2"	3968
67'-6"	45'-11"	G	40.24	13.35	5'-6 15/16"	8'-10 5/16"	4299
90'-2"	68'-11"	H	50.07	22.2	6'-6 3/4"	10'-2"	4586
123'-0"	101'-8"	J	63.85	15.31	7'-10 1/2"	10'-2"	5004
150'-11"	129'-7"	K	75.66	15.31	8'-10 5/16"	10'-2"	5357
182'-5"	160'-9"	L	89.44	16.29	10'-2"	11'-1 7/8"	5776
205'-0"	183'-9"	M	99.29	17.28	11'-1 7/8"	12'-5 5/8"	6129
232'-11"	211'-7"	N	111.10	19.25	12'-5 5/8"	13'-9 3/8"	6548

HOL\* with optional drum brake Weight of drum brake is 176 lb.

Load (TON)	Class ASME
12 1/2	H4+
15	H4
20	H3

Standard rail gauges are 5'-6 15/16", 6'-6 3/4", 7'-10 1/2", 8'-10 5/16", 10'-2", 11'-1 7/8", 12'-5 5/8" and 13'-9 3/8".

M2 is listed at minR.

Hoist weight calculated at Min R, with P6 motor, without drum brake.

This document is the absolute property of R&M Materials Handling, Inc. This document must not be copied without the written permission of R&M Materials Handling, Inc. The contents thereof must not be disclosed to a third party nor be used for any unauthorized purpose. Contravention will be prosecuted.

ETTPAL Design 2003-01-13 Date	ETTPAL Chd Appd	Ref Drawing	QE-M-22
SLEQDQCV Owner/Dept	TROLLEY; DOUBLE GIRDER MEDIUM, 2X2 ROPE FALLS		1-18 Folder
R&M MATERIALS HANDLING, INC.	R&M MATERIALS HANDLING, INC. HOIST & CRANE PRODUCTS SPRINGFIELD, OHIO	D006655-A	Issue 4