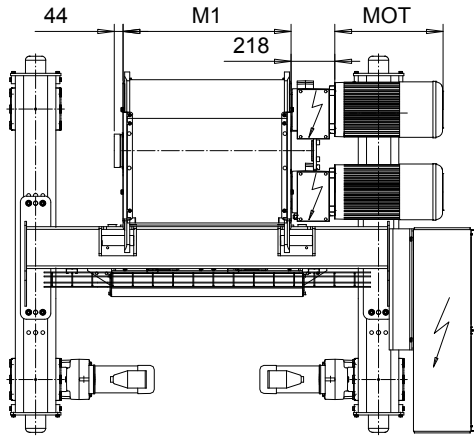
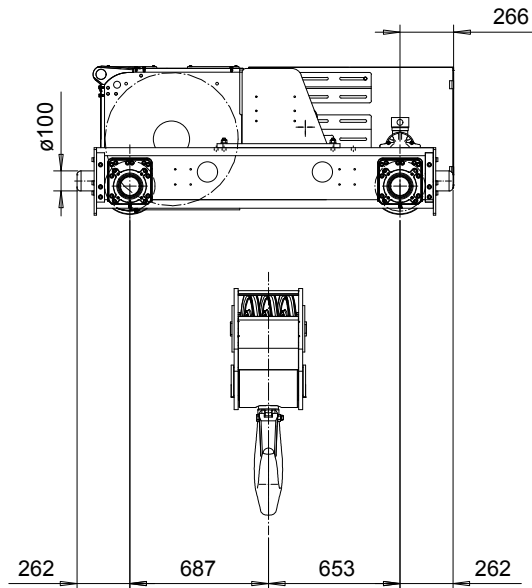
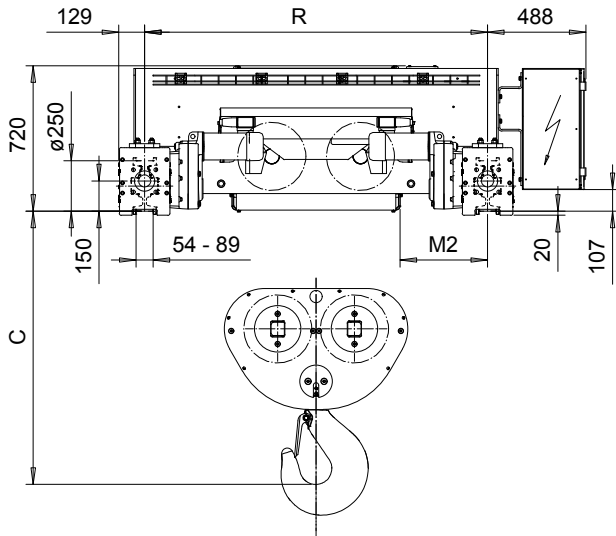


**DOUBLE GIRDER, MEDIUM, 6 PART DOUBLE**  
**Hoist type:**  
**SX7 062...D0**

SI-60Hz



Headroom - C dimension	
Standard	1354 mm
with HS22 Hook operated limit switch	1404 mm

Motor	P6	P7	A7	S7	S8	SA
MOT (mm)	536	576	536	715	763	803
Weight (kg)	85	105	71	81	97	120

HOL	HOL*	Length	M1	M2	Min R	Max R	Approx Weight
(m)	(m)	code	(mm)	(mm)	(mm)	(mm)	(kg)
5	2.5	F	832	434	1700	2400	2530
6.5	4	G	1022	338	1700	2700	2690
9	6.5	H	1272	564	2000	3100	2830
12.5	10	J	1622	389	2400	3100	3070
15	12.5	K	1922	389	2700	3100	3310
18.5	16	L	2272	414	3100	3400	3580
20.5	18	M	2522	439	3400	3800	3790
23.5	21	N	2822	489	3800	4200	4040

HOL\* with optional drum brake Weight of drum brake is 80 kg.

Load	Class
(kg)	Fem/ISO
40000	3m/M6
50000	2m/M5
60000	1Am/M4

Standard rail gauges are 1700, 2000, 2400, 2700, 3100, 3400, 3800, and 4200 mm.

M2 is listed at minR.

Hoist weight calculated at Min R, with P6 motor, without drum brake.

This document is the absolute property of R&M Materials Handling, Inc. This document must not be copied without the written permission of R&M Materials Handling, Inc. The contents thereof must not be disclosed to a third party nor be used for any unauthorized purpose. Contravention will be prosecuted.

ETTPAL Design	ETTPAL Chd	Appd	Ref Drawing	QE-M-26
2003-01-13 Date	TROLLEY; DOUBLE GIRDER			1-18 Folder
SLEQDQCV Owner/Desig	MEDIUM, 2X6 ROPE FALLS			
R&M MATERIALS HANDLING INC.	R&M MATERIALS HANDLING, INC. HOIST & CRANE PRODUCTS SPRINGFIELD, OHIO	D006657-A		Issue 4