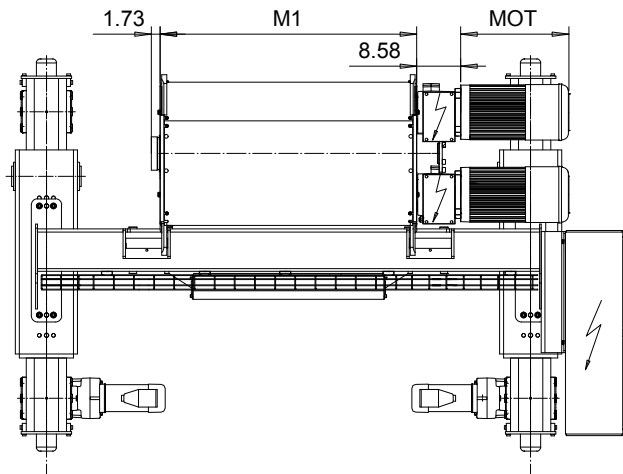
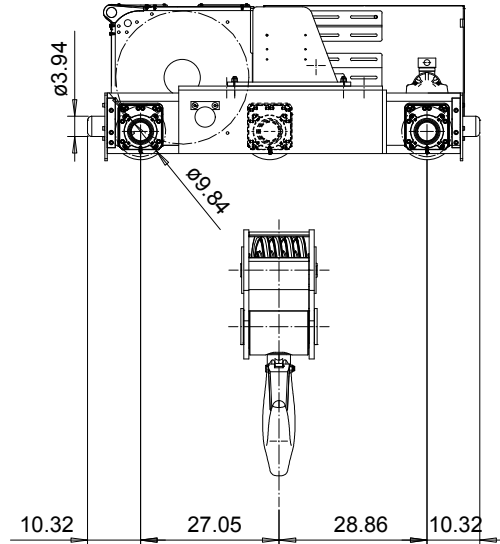
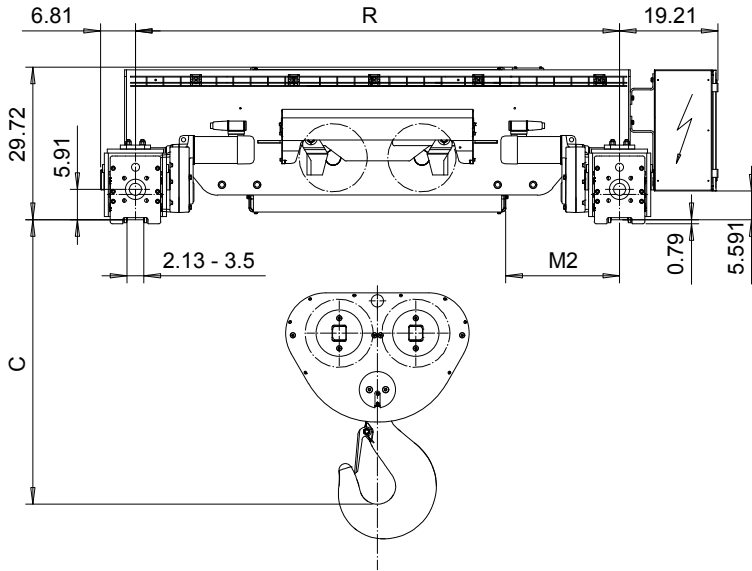


DOUBLE GIRDER, MEDIUM, 8 PART DOUBLE
Hoist type:
SX7 082...D0

US-60Hz



Headroom - C dimension	
Standard	55.5"
with HS22 Hook operated limit switch	57.5"

Motor	P6	P7	A7	S7	S8	SA
MOT (in)	21.1	22.7	21.1	28.1	30	31.6
Weight (lb)	187	231	157	179	214	265

HOL	HOL*	Length	M1	M2	Min R	Max R	Approx Weight
(ft)	(ft)	code	(inch)	(inch)	(ft)	(ft)	(lb)
21'-3"	14'-9"	H	50.07	22.2	7'-10 1/2"	10'-2"	7452
29'-6"	23'-0"	J	63.85	15.31	7'-10 1/2"	10'-2"	7959
36'-1"	29'-6"	K	75.66	15.31	8'-10 5/16"	10'-2"	8510
44'-3"	37'-9"	L	89.44	16.29	10'-2"	11'-1 7/8"	9127
50'-10"	44'-3"	M	99.29	17.28	11'-1 7/8"	12'-5 5/8"	9546
57'-4"	50'-10"	N	111.10	19.25	12'-5 5/8"	13'-9 3/8"	10119

HOL* with optional drum brake Weight of drum brake is 176 lb.

Load	Class
(TON)	ASME
60	H4
80	H3

Standard rail gauges are 7'-10 1/2", 8'-10 5/16", 10'-2", 11'-1 7/8", 12'-5 5/8" and 13'-9 3/8".

M2 is listed at minR.

Hoist weight calculated at Min R, with P6 motor, without drum brake.

This document is the absolute property of R&M Materials Handling, Inc. This document must not be copied without the written permission of R&M Materials Handling, Inc. The contents thereof must not be disclosed to a third party nor be used for any unauthorized purpose. Contravention will be prosecuted.

ETTPAL Design 2003-01-13 Date	ETTPAL Chd	Appd	Ref Drawing	QE-M-28
SLEQDQCV Owner/Desig	TROLLEY; DOUBLE GIRDER MEDIUM, 2X8 ROPE FALLS			1-18 Folder
R&M MATERIALS HANDLING INC.	R&M MATERIALS HANDLING, INC. HOIST & CRANE PRODUCTS SPRINGFIELD, OHIO	D006658-A		Issue 4