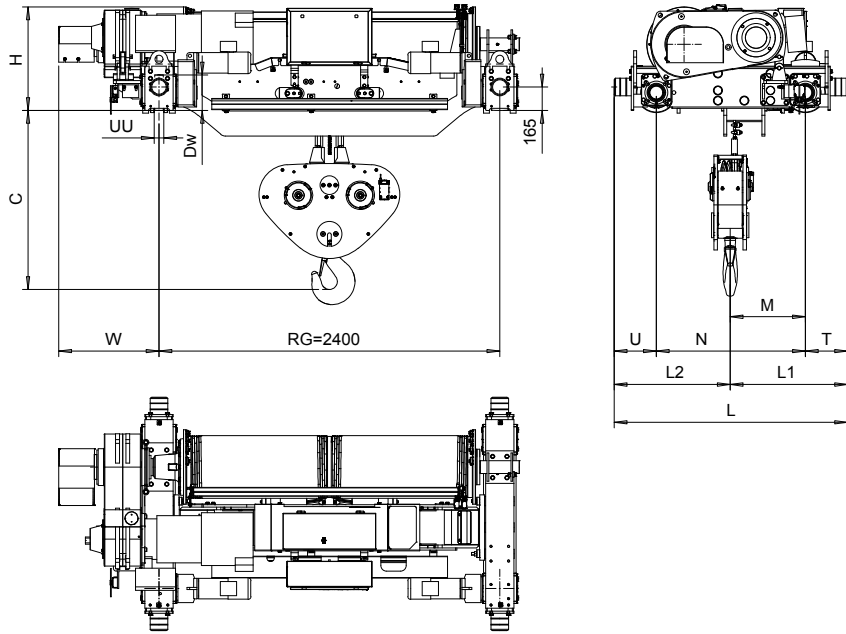


Hoist type:
SXL17...R2400

SI units



Hoisting trolley type	Duties 03...06	Hoisting trolley dimensions (mm)									Rail wheel (mm)		C (mm)		Weight (Kg)	
		H	M	N	L	L1	L2	T	U	W	Dw	UU*	RG24	RG24		
SXL17022	X	729	579	1050	1642	875	767	296	296	705	250	86	1260	3510		
SXL17032	X	729	529	1050	1642	825	817	296	296	705	250	86	1230	3620		
SXL17042	X	729	532	1050	1642	828	814	296	296	705	250	86	1230	3640		
SXL17052	X	729	513	1050	1642	809	833	296	296	705	250	86	1315	3880		
SXL17062	X	729	483	1050	1642	779	863	296	296	705	250	86	1315	3890		
SXL17082	X	729	452	1050	1642	748	894	296	296	705	250	86	1440	4320		

Weight of the service platform is not included into trolley weight.* UU based on 80 mm rail.

Rev Explanation Date Revised by Checked by
This document is the absolute property of R&M Materials Handling, Inc. This document must not be copied without the written permission of R&M Materials Handling, Inc. The contents thereof must not be disclosed to a third party nor be used for any unauthorized purpose. Contravention will be prosecuted.

DESHPYO Design 2011-06-17 Date	Chd	Appd	Ref Drawing	1:25 Folder
TROLLEY; DOUBLE GIRDER SXL17				
Owner Dept R&M MATERIALS HANDLING INC.	R&M MATERIALS HANDLING, INC. HOISTS & CRANE PRODUCTS SPRINGFIELD, OHIO		SXL17-R2400	Issue 3
			DA002643	