

Hoist type:

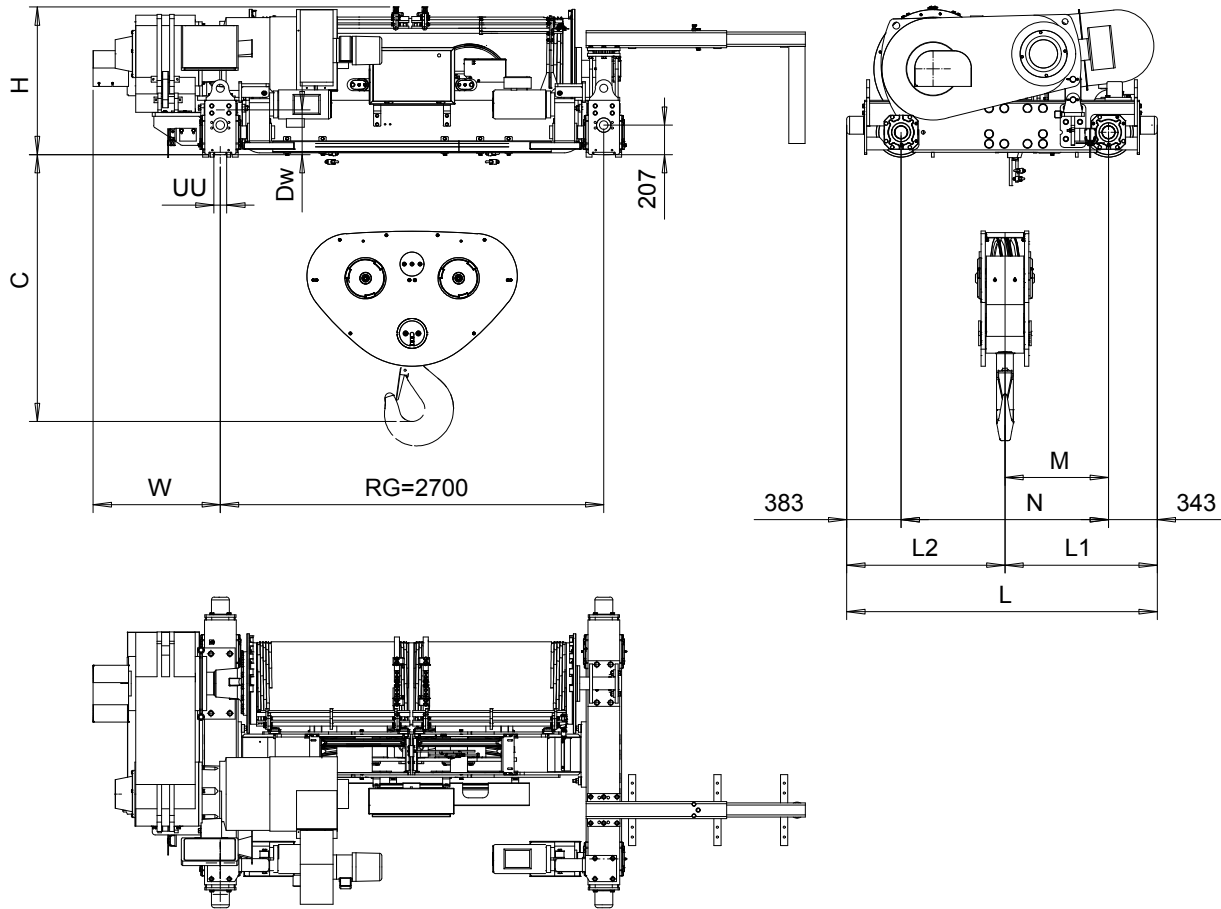
SXL19 022...R2700

SXL19 042...R2700

SXL19 032...R2700

SXL19 052...R2700

SI units



Trolley	Duty 03...06	Hoisting trolley dimensions (mm)							Rail wheel (mm)		C (mm)	Weight (Kg)
		H	M	N	L	L1	L2	W	Dw	UU*	(27)	(27)
SXL19022	X	1045	795	1460	2186	1134	1052	896	315	106	1895	7570
SXL19032	X	1045	775	1460	2186	1114	1072	896	315	106	1900	7730
SXL19042	X	1045	735	1460	2186	1074	1112	896	315	106	1865	8090
SXL19052	X	1045	725	1460	2186	1072	1114	896	315	106	1980	8450

Weight of the service platform is not included into the trolley weight. *UU based on 100 mm rail.

Rev Explanation Date Revised by Checked by
 This document is the absolute property of R&M Materials Handling, Inc. This document must not be copied without the written permission of R&M Materials Handling, Inc. The contents thereof must not be disclosed to a third party nor be used for any unauthorized purpose. Contravention will be prosecuted.

DESIGN 2011-06-17 Date	Chd	Appd	Ref Drawing	
Owner Dept R&M MATERIALS HANDLING INC.	TROLLEY; DOUBLE GIRDER SXL19			1:25
R&M MATERIALS HANDLING, INC. HOIST & CRANE PRODUCTS SPRINGFIELD, OHIO	SXL19-R2700-022/032/042/052			Folder
	DA002733			Issue 3