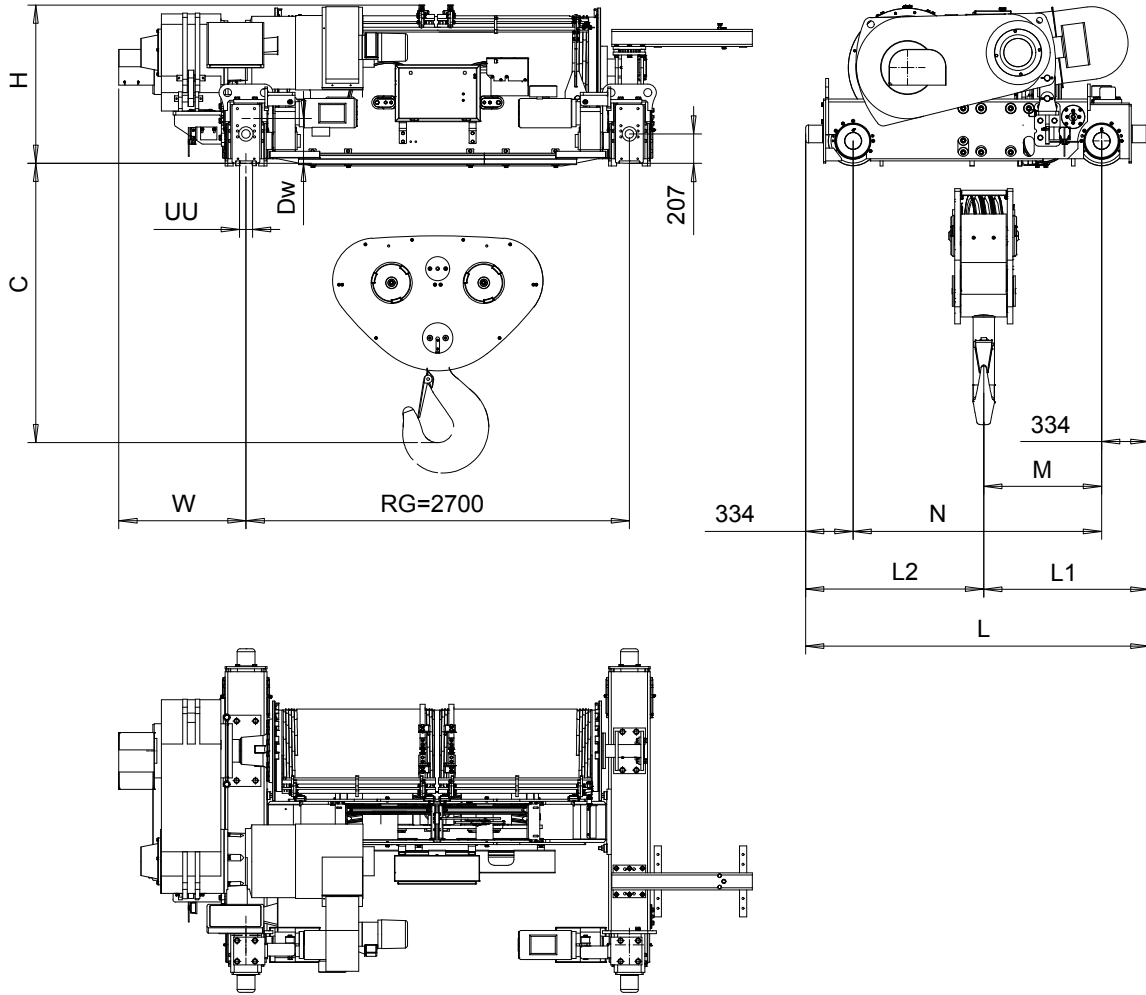


Hoist type:

SXL19 062...R2700

SXL19 082...R2700

SI units



Trolley	Duty 03...06	Hoisting trolley dimensions (mm)						Rail wheel (mm)		C (mm)	Weight (Kg)	
		H	M	N	L	L1	L2	W	Dw	UU*	(27)	(27)
SXL19062	X	1113	830	1750	2417	1164	1254	896	315	106	1980	10330
SXL19082	X	1113	792	1750	2417	1126	1292	896	315	106	2065	10920

Weight of the service platform is not included into the trolley weight. *UU based on 100 mm rail.

DESHPYO Design					Chd	Appd	Ref Drawing	
2011-06-17 Date					TROLLEY; DOUBLE GIRDER			
					SXL19			
					SXL19-R2700-062/082			
					DA002757			
Owner Dept					R&M MATERIALS HANDLING, INC. HOIST & CRANE PRODUCTS SPRINGFIELD, OHIO			
Rev	Explanation	Date	Revised by	Checked by				1:25 Folder
This document is the absolute property of R&M Materials Handling, Inc. This document must not be copied without the written permission of R&M Materials Handling, Inc. The contents thereof must not be disclosed to a third party nor be used for any unauthorized purpose. Contravention will be prosecuted.								
Issue 3								