

Hoist type:

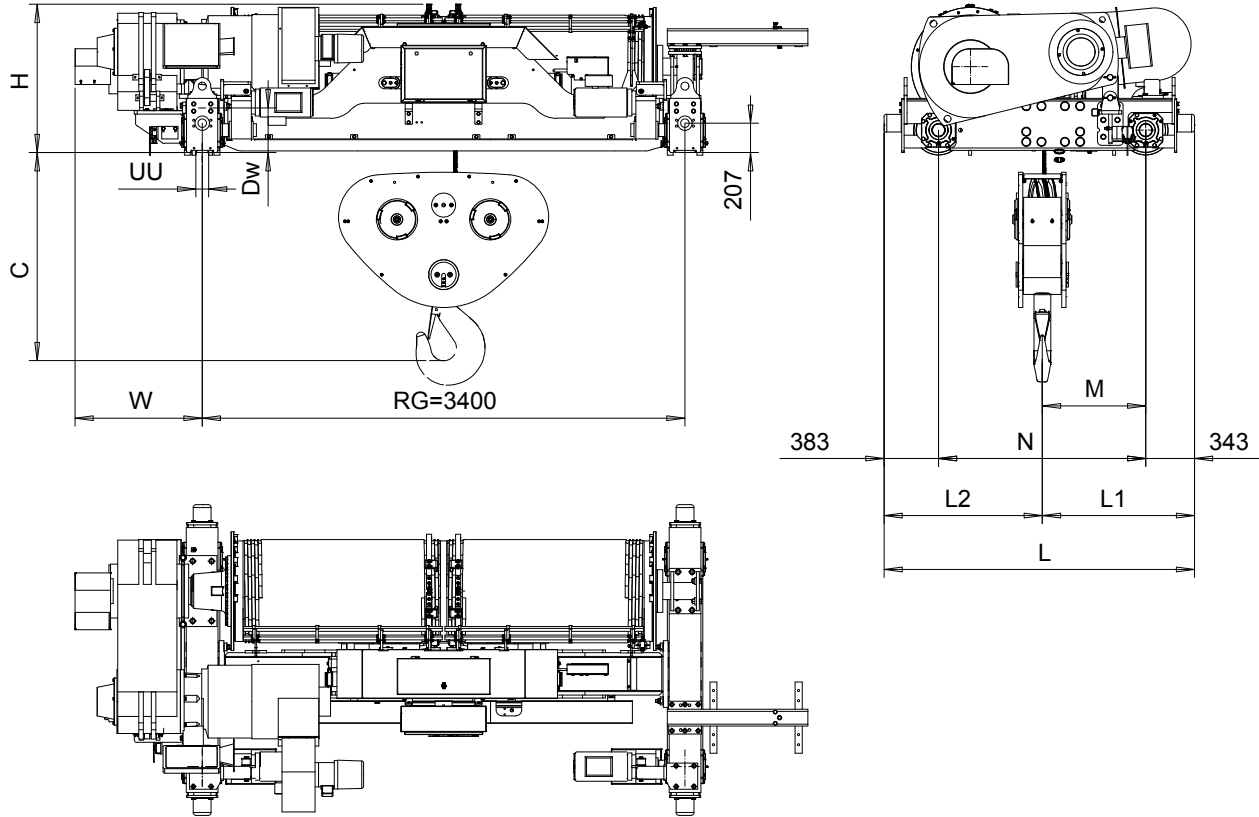
SXL19 022...R3400

SXL19 042...R3400

SXL19 032...R3400

SXL19 052...R3400

SI units



Trolley	Duty 03...06	Hoisting trolley dimensions (mm)							Rail wheel (mm)		C (mm)	Weight (Kg)
		H	M	N	L	L1	L2	W	Dw	UU*	(34)	(34)
SXL19022	X	1045	795	1460	2186	1134	1052	896	315	106	1595	8230
SXL19032	X	1045	775	1460	2186	1114	1072	896	315	106	1595	8390
SXL19042	X	1045	735	1460	2186	1074	1112	896	315	106	1475	8750
SXL19052	X	1045	725	1460	2186	1072	1114	896	315	106	1600	9110

Weight of the service platform is not included into the trolley weight. \*UU based on 100 mm rail.

DES/190				Chd	Appd	Ref Drawing		
2011-06-17				TROLLEY; DOUBLE GIRDER				1:25
Date				SXL19				
Owner Dept				R&M MATERIALS HANDLING, INC.				Folder
R&M MATERIALS HANDLING, INC.				HOIST & CRANE PRODUCTS SPRINGFIELD, OHIO				
Date				SXL19-R3400-022/032/042/052				Issue
Revised by				DA002749				
Checked by								3

This document is the absolute property of R&M Materials Handling, Inc. This document must not be copied without the written permission of R&M Materials Handling, Inc. The contents thereof must not be disclosed to a third party nor be used for any unauthorized purpose. Contravention will be prosecuted.