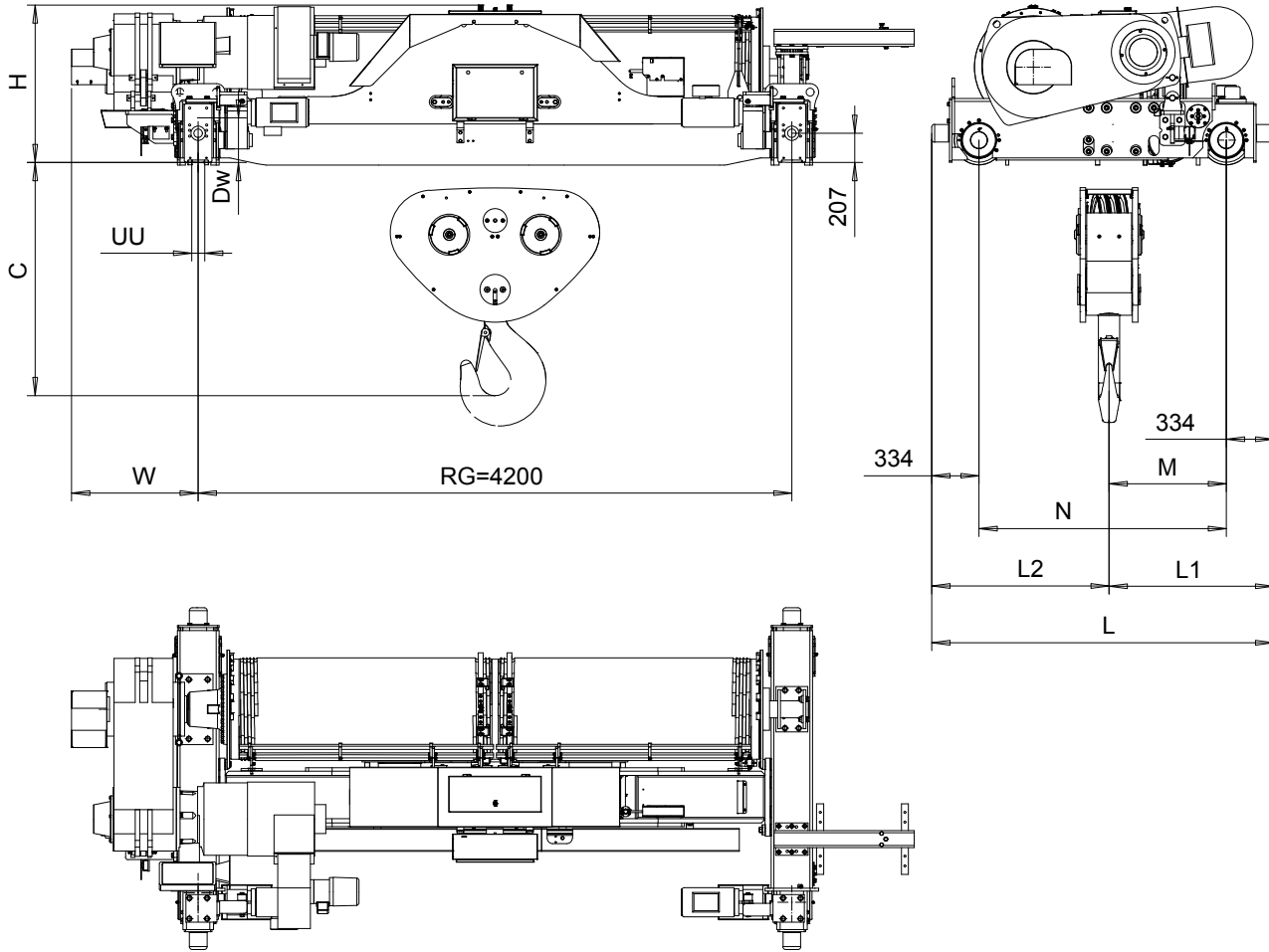


Hoist type:

SXL19 062...R4200

SXL19 082...R4200

SI units



Trolley	Duty 03...06	Hoisting trolley dimensions (mm)							Rail wheel (mm)		C (mm)	Weight (Kg)
		H	M	N	L	L1	L2	W	Dw	UU*	(42)	(42)
SXL19062	X	1113	830	1750	2417	1164	1254	896	315	106	1650	12010
SXL19082	X	1113	792	1750	2417	1126	1292	896	315	106	1730	12600

Weight of the service platform is not included into the trolley weight. \*UU based on 100 mm rail.

Rev Explanation Date Revised by Checked by  
 This document is the absolute property of R&M Materials Handling, Inc. This document must not be copied without the written permission of R&M Materials Handling, Inc. The contents thereof must not be disclosed to a third party nor be used for any unauthorized purpose. Contravention will be prosecuted.

DESIMYO Design	Chd	Appd	Ref Drawing	
2011-06-17 Date	TROLLEY; DOUBLE GIRDER			1:25
Owner Dept	SXL19			Folder
R&M MATERIALS HANDLING INC.	SXL19-R4200-062/082			Issue
R&M MATERIALS HANDLING, INC. HOIST & CRANE PRODUCTS SPRINGFIELD, OHIO	DA002774			3