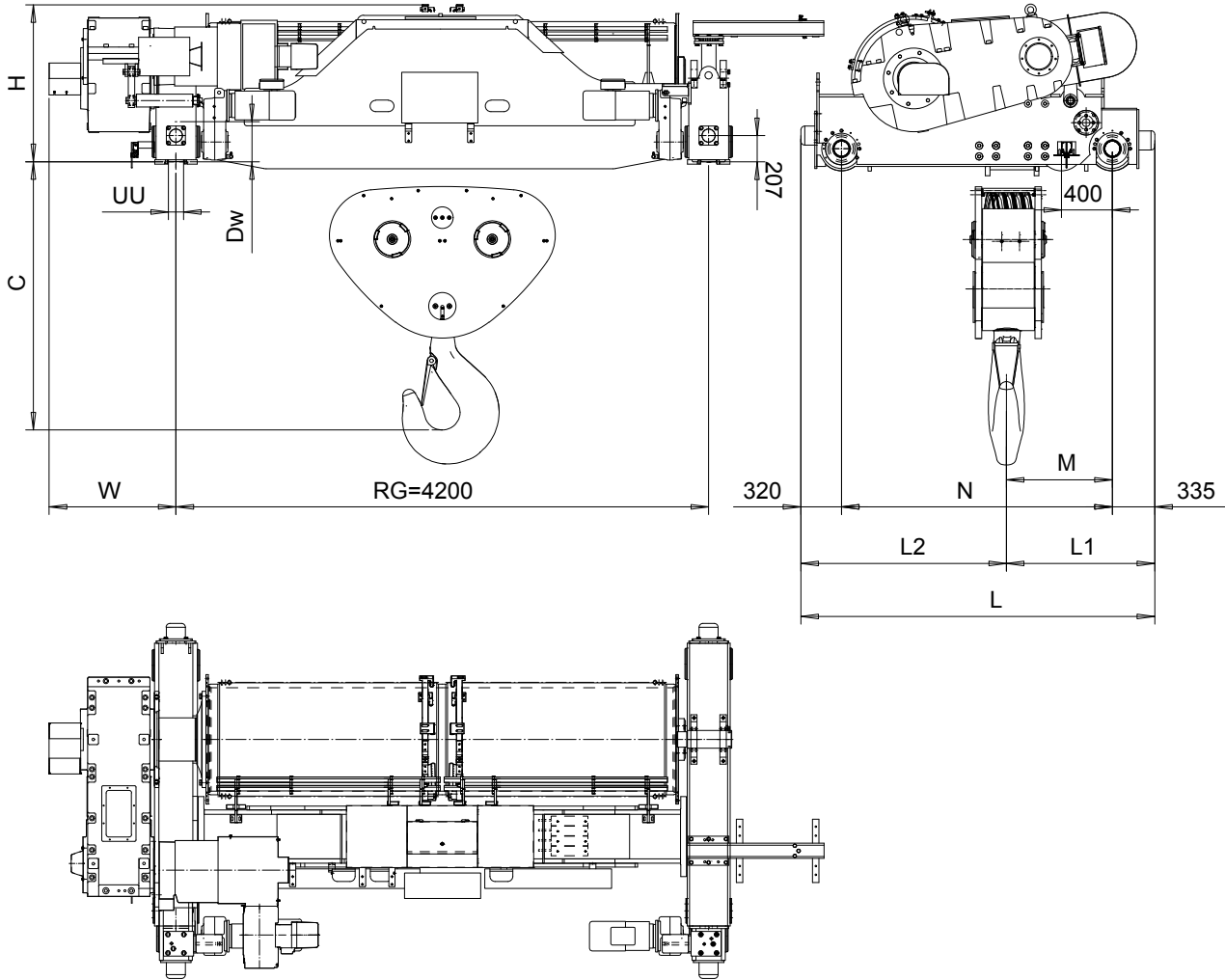


Hoist type:
SXL20...R4200

SI units

6-WHEEL TROLLEY



Trolley	Duty 03...06	Hoisting trolley dimensions (mm)							Rail wheel (mm)		C (mm)	Weight (Kg)
		H	M	N	L	L1	L2	W	Dw	UU*	(42)	(42)
SXL20022	X	1250	920	2135	2790	1255	1535	1000	315	106	1935	16590
SXL20032	X	1250	920	2135	2790	1255	1535	1000	315	106	2145	16890
SXL20042	X	1250	890	2135	2790	1225	1565	1000	315	106	1890	17410
SXL20052	X	1250	880	2135	2790	1215	1575	1000	315	106	2245	17880
SXL20062	X	1250	860	2135	2790	1195	1595	1000	315	126	2005	18410
SXL20082	X	1250	830	2135	2790	1165	1625	1000	315	126	2115	19180

Weight of the service platform is not included into the trolley weight. *UU based on 100 mm or 120 mm rail.

DESHPYO Design 2011-06-17 Date					Chd	Appd	Ref Drawing		
Rev					TROLLEY; DOUBLE GIRDER				1:27
Explanation					SXL20				Folder
Date					SXL20-R4200				Issue
Revised by					DA003422				1
Checked by									
<p>This document is the absolute property of R&M Materials Handling, Inc. This document must not be copied without the written permission of R&M Materials Handling, Inc. The contents thereof must not be disclosed to a third party nor be used for any unauthorized purpose. Contravention will be prosecuted.</p>					<p>R&M MATERIALS HANDLING INC.</p>		<p>R&M MATERIALS HANDLING, INC. HOIST & CRANE PRODUCTS SPRINGFIELD, OHIO</p>		