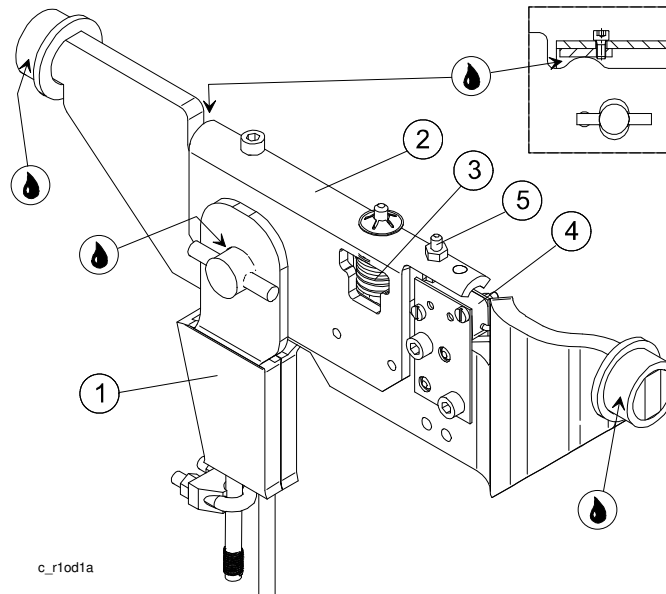


Adjustment of Mechanical Overload Device

WARNING: High voltage is present in the hoist control cabinet and overload switch.

1. Turn adjustment screw for the mechanical limit switch counterclockwise until it no longer engages micro-switch.
2. Lift test load 1-3 inches. (Use 110% rated capacity as a starting reference not to exceed 125% of rated capacity)
3. Remove power to hoist.
4. On a low headroom or double girder hoist remove the hoist cover. On a normal headroom hoist remove the access plate above the control enclosure directly below the trolley side plate.
5. Using a continuity tester across terminals 53 and 54 in the hoist control box (Continuity should be read), adjust the mechanical limit switch adjustment screw until the micro-switch just “opens” causing an interruption in the circuit.
6. Remove the test equipment then apply the power to the hoist.
7. Test the hoist using the load referenced in step 2. The hoist should shut off and not pick up the load. **Note: If the hoist lifts the load, stop lifting and repeat steps 2 through 7**
8. Test the hoist with 100%. The hoist should be capable of lifting the load.
9. Repeat steps 2 through 8 until the hoist lifts 100% of capacity but will not lift 125%.
10. Seal Screw with thread locking compound after Overload Protection is set properly.
11. Replace access covers.

Mechanical Overload Protection Switch



1. Rope anchorage
2. Lever mechanism
3. Set of plate springs
4. Mechanical limit switch
5. Adjustment screw for mechanical limit switch
(Load bar will differ between models-picture shown is SX2/SX3)