



# DIGICHAIN



## INSTALLATION AND MAINTENANCE INSTRUCTIONS

Job Number: \_\_\_\_\_

Serial Number: \_\_\_\_\_

(RECORD UNIT SERIAL NUMBER FOR FUTURE REFERENCE)



R&M Materials Handling, Inc  
Springfield, Ohio USA  
☎: 800 955-9967  
[www.rmhoist.com](http://www.rmhoist.com)

LoadMate Chain Hoist  
DIGICHAIN Instruction Manual  
June 2003

---

**This manual is supplemental to the [LoadMate](#) Chain Hoist Installation, Operation, and Maintenance Instruction manual.**

Before proceeding with the installation, operation or maintenance of the equipment it is important that the installation, operating, and maintenance personnel read this bulletin carefully in order to ensure the safe and efficient use of the equipment.

If any instructions are unclear or if the hoist manual is not available, contact the manufacturer or distributor of the hoist equipment before attempting to install or use the equipment.

[R&M Materials Handling, Inc](#)  
4501 Gateway Boulevard  
Springfield, OH 45502  
Tel. 937-328-5100  
Fax 937-325-5319

Visit our website: [www.rmhoist.com](http://www.rmhoist.com)



---

1	DESCRIPTION – TECHNICAL CHARACTERISTICS .....	4
1.1	Technical Data .....	4
1.2	Environmental Data.....	4
1.3	Function Tests.....	4
1.4	Dimensions .....	5
1.5	Setup.....	6
2	ELECTRICAL .....	7
2.1	Electrical Diagram of the Pendant .....	7
3	SPARE PARTS .....	8



## 1 Description – Technical Characteristics

### CAUTION

The DIGICHAIN shall only be used with the rated load indicated on the rating and capacity plates.

#### 1.1 Technical Data

- ❑ Load capacity from 250 lbs. [125 kg] up to 1000 lbs. [500 kg]
- ❑ Maximum height of lift is 10 ft [3 m].
- ❑ Safety latch on hook is furnished.
- ❑ Pushbutton: Hoist motion only
- ❑ Hoist speed: Single or two-speed
- ❑ E-Stop button: Push-to-maintain, turn-to-release, red mushroom head
- ❑ Matches the control voltage of the hoist – 115 volts maximum
- ❑ Weight of unit is approximately 7 lbs. [3.2 kg].
- ❑ Lateral drawing angle: 3 degrees maximum
- ❑ Single fall only; LM1 or LM05 hoist

#### 1.2 Environmental Data

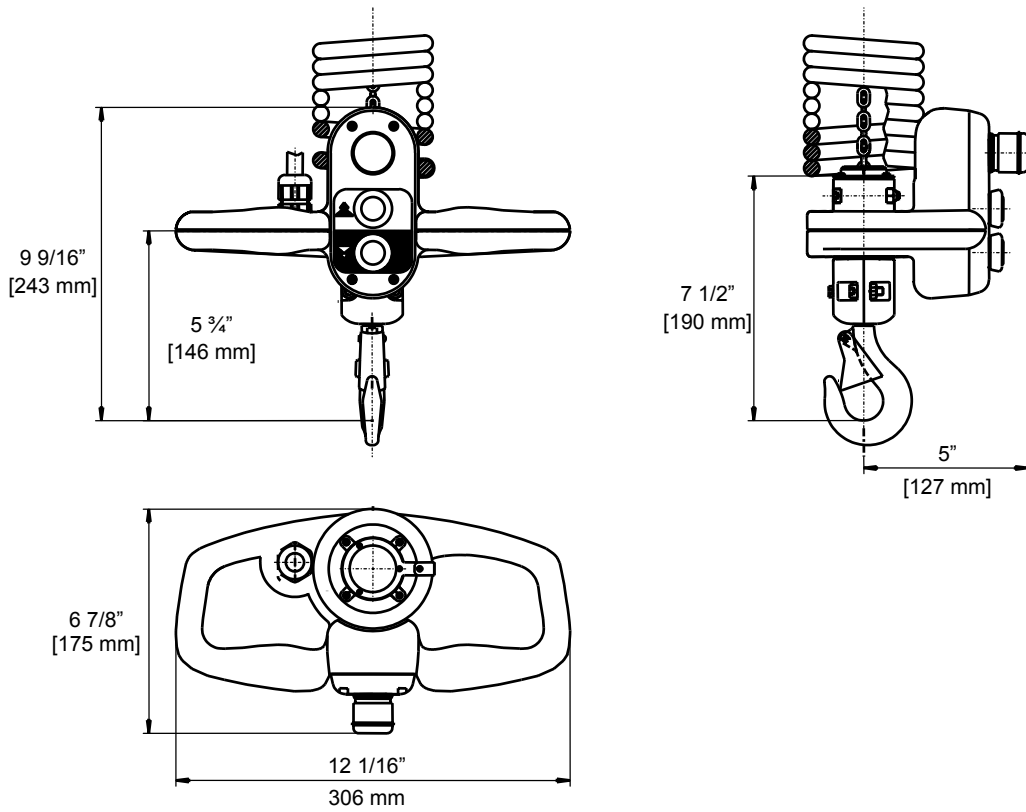
- Ambient temperature: 14°F to +104°F [-10°C to +40°C]
- Humidity: 90% RH (no condensation)
- Vibration: 0.2g<sub>n</sub> (2m/s<sup>2</sup>)
- Protection range: IP-55
- Approvals: CSA

#### 1.3 Function Tests

- ❑ Check that the electrical components are properly connected.
- ❑ Check that the operating parameters are met.
- ❑ Close the cover of the control enclosure.
- ❑ Supply the equipment with the appropriate voltage.
- ❑ Check the operation of the upper and lower limit switches.
- ❑ Make sure the direction of the hook corresponds with respect to the button being pressed. Interchange any two of the hoist power leads (L1, L2, L3) if the hook moves in the wrong direction.

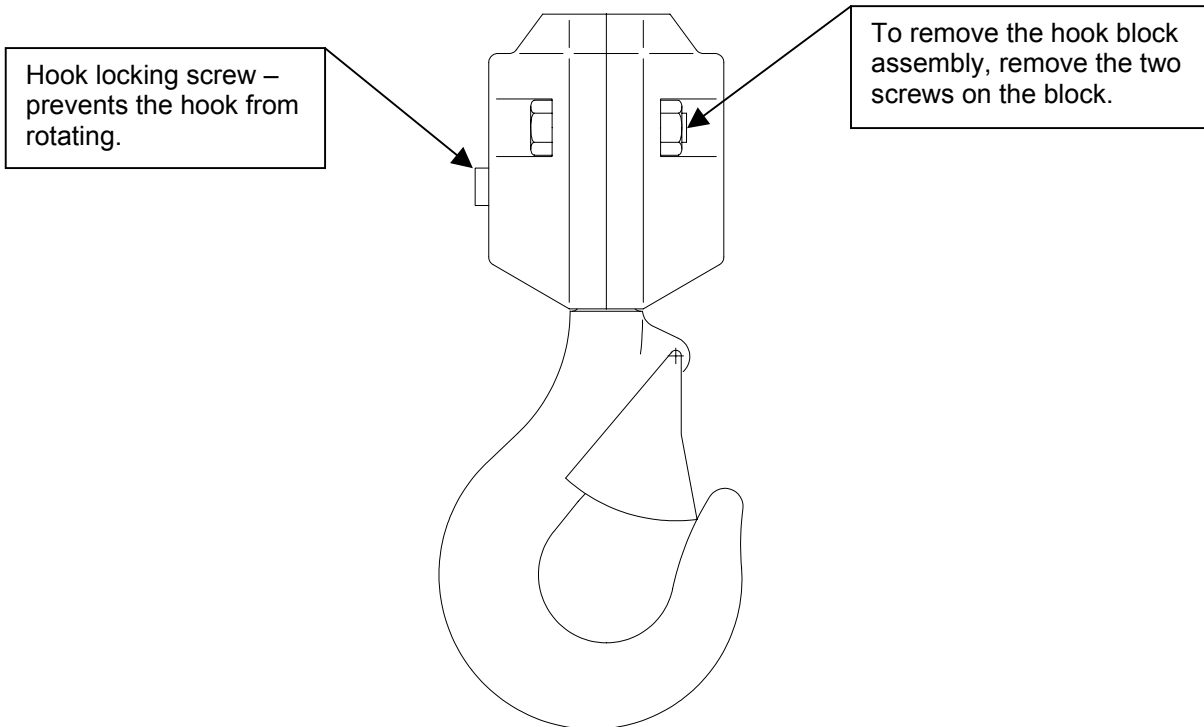
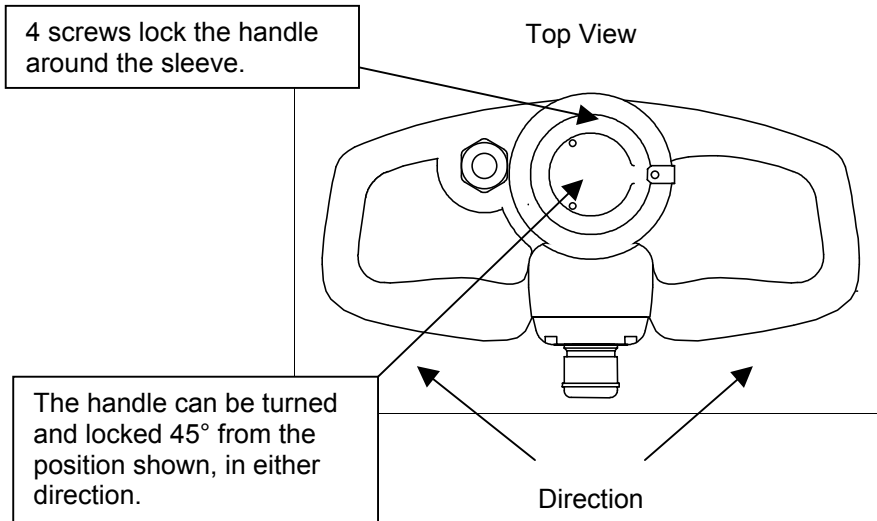


## 1.4 Dimensions





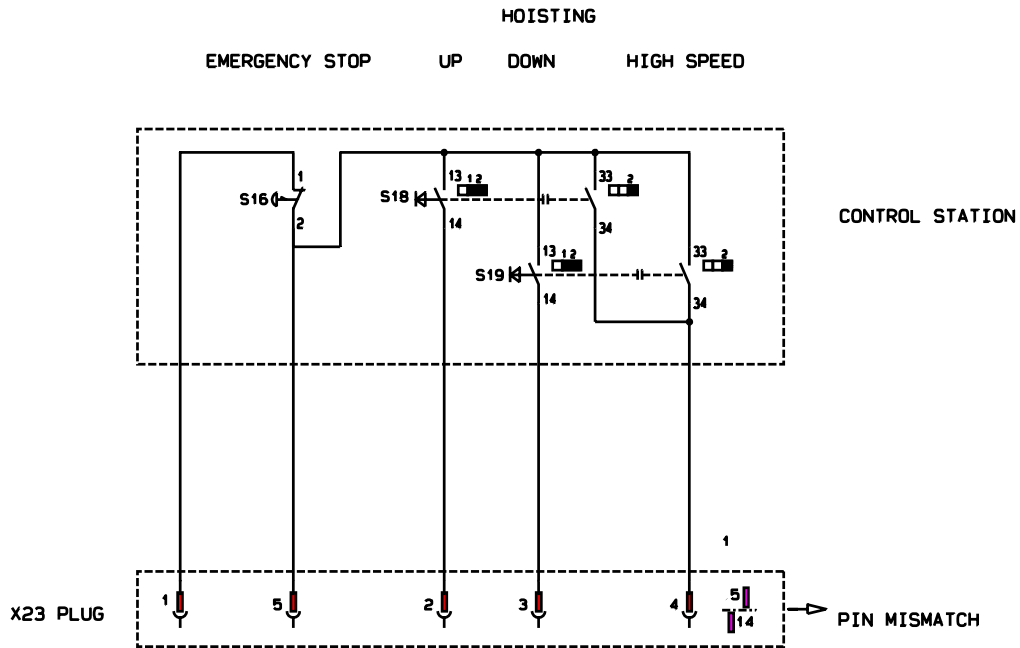
## 1.5 Setup





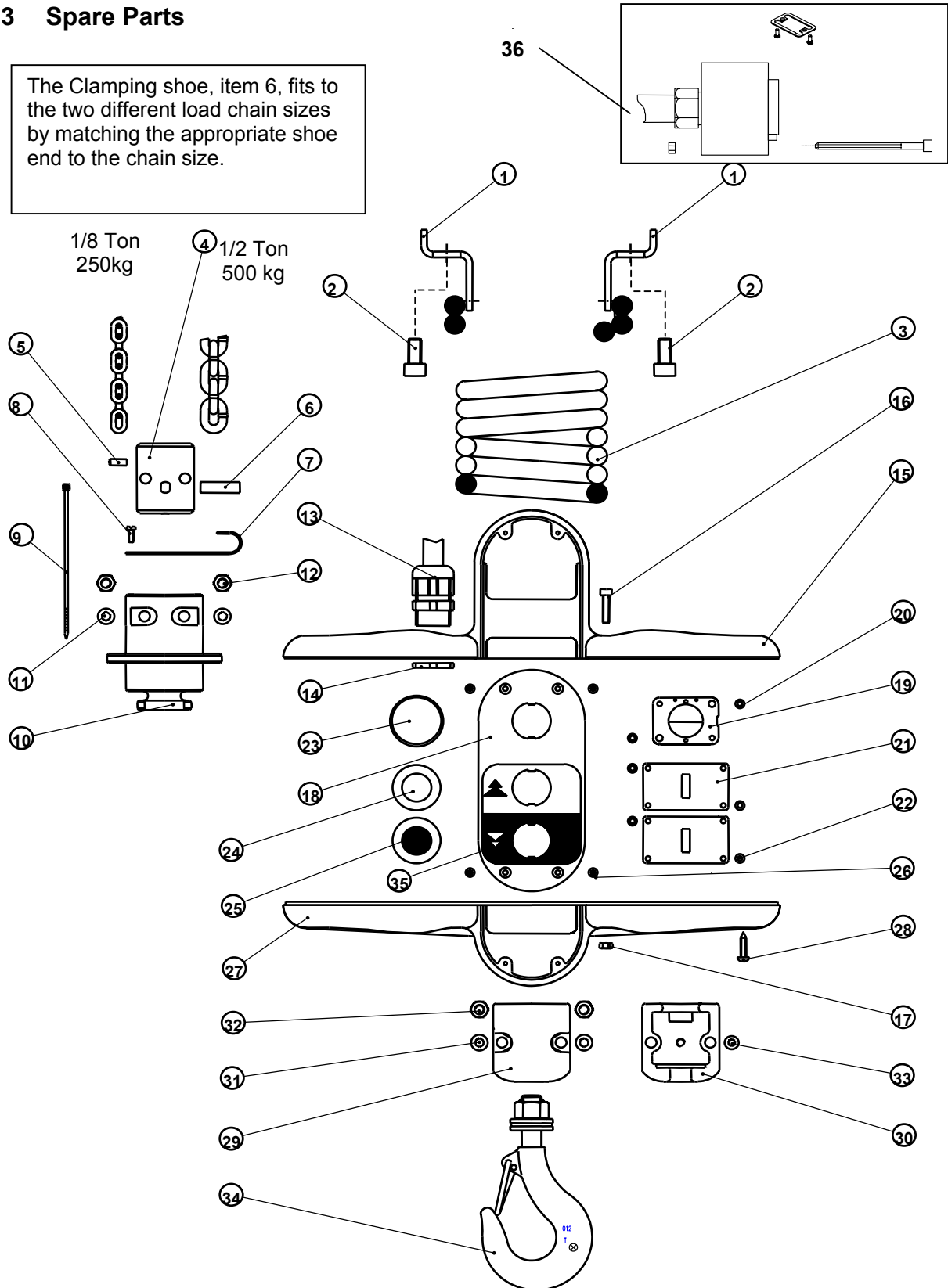
## 2 Electrical

### 2.1 Electrical Diagram of the Pendant



### 3 Spare Parts

The Clamping shoe, item 6, fits to the two different load chain sizes by matching the appropriate shoe end to the chain size.







Item	Part Number	Description	Qty	Specification
1	----	Upper cable fastener	2	
2	----	Thread rolling screw M8x12	2	
3	833498	Coiled electric cable with plug	1	
--	7285035	Electrical plug (not shown)	1	
4	----	Clamping shoe	2	
5	----	Parallel pin 4x12	1	
6	----	Support pin	1	
7	----	Lower cable fastener	1	
8	----	Screw TC M3x8 ZN DIN84	3	
9	----	Strap 2.3x99 PLT1mm	1	
10	----	Sleeve	1	
11	----	Screw CHC M6x45 ZN DIN912	2	
12	----	Nut M6 DIN985	2	
13	52302277	Black gland ISO M20	1	
14	52302285	Nut DIN 936	1	
15	----	Upper pendant enclosure	1	
16	----	Screw CHC M4x20 DIN 912	4	
17	----	Nut HM4 DIN934	4	
18	----	Pendant box module	1	
19	833572	Emergency Stop Contact XAC-S 414	1	
20	----	Screw M2.9x9.5 DIN7981	2	
21	2309417008	Contact XEN-G 1191	2	
22	----	Screw M2.9x13 DIN7981	4	
23	833765	Emergency Stop ZA2 BS44	1	
24	2309417044	White button XAC A9411	1	
25	2309417044	Black button XAC A9412	1	
26	----	Screw M2.9x19 DIN 7981	4	
27	----	Lower pendant enclosure	1	
28	----	Screw M3.5x16 DIN7981	12	
29	----	Hook shoe	1	
30	----	Drilled hook shoe	1	
31	----	Screw CHC M6x20 DIN912	2	
32	----	Nut M6 DIN985	2	
33	8010512	Screw CHC M5x12 DIN912	1	
34	2212011	Hook OT5 1br.	1	
35	52300975	Sticker up/down	1	
36	7285035	Electrical plug	1	
-	52304342	Complete DigiChain unit	1	
-	2211050	Fall stop assembly LM05 (not shown)	1	
-	52264313	Fall stop assembly LM1 (not shown)	1	