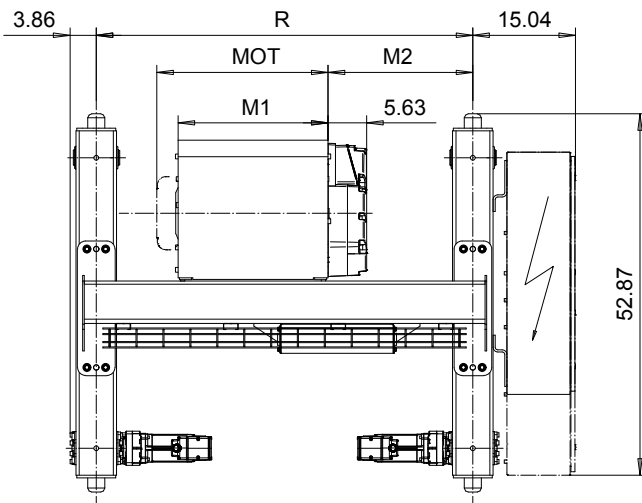
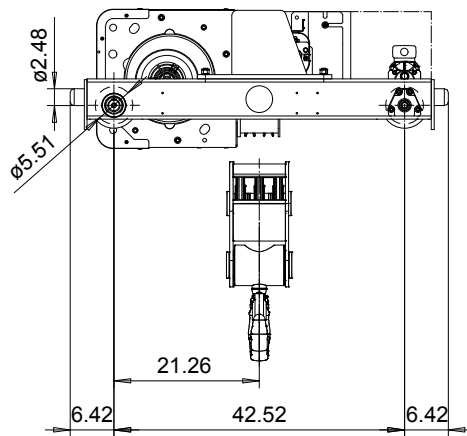
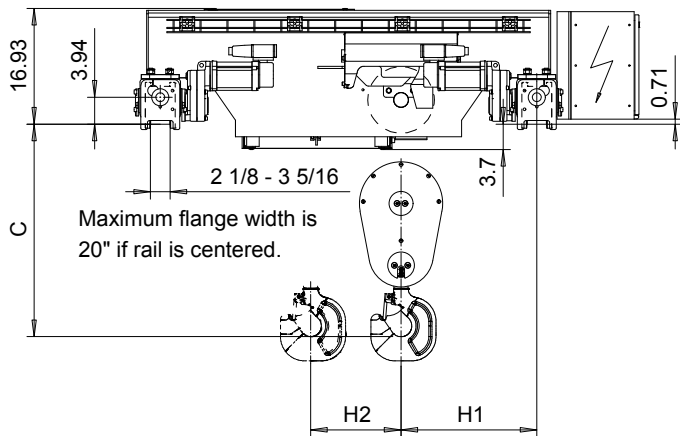


DOUBLE GIRDER, MEDIUM, 6 PART SINGLE
Hoist type:
SX5 061...D0

US-60Hz



Headroom - C dimension	
Standard	31.1"
with HS22 Hook operated limit switch	33.1"

Motor	P5	P6	P7	A5	S5	S7
MOT (in)	22.76	22.76	24.33	19.61	23.86	29.8
Weight (lb)	128	187	231	99	117	179

Load (TON)	Class ASME
12	H4+
15	H4

HOL	Length code	M1 (inch)	M2 (inch)	R (inch)	H1 (inch)	H2 (inch)	Approx. Weight (lb)
19'-8"	D	21.97	21.18	55.12	19.88	2.09	1676
26'-2"	E	26.69	29.84	66.93	28.54	3.07	1774
32'-9"	F	32.6	35.94	78.74	34.65	3.86	1874
42'-7"	G	40.08	44.12	94.49	42.19	5.2	2017

Note:

R is standard gauge, minimum gauge for second brake or service platform
 Standard rail gauge increments: 4'-7 1/8", 5'-6 7/8", 6'-6 3/4", 7'-10 1/2"
 Approx. Weight calculated with P5 motor.

This document is the absolute property of R&M Materials Handling, Inc. This document must not be copied without the written permission of R&M Materials Handling, Inc. The contents thereof must not be disclosed to a third party nor be used for any unauthorized purpose. Contravention will be prosecuted.

ETTPAL Design	ETTPAL Cnd	Appt	Ref Drawing	QC-M-06
2002-08-30 Date	TROLLEY; DOUBLE GIRDER			1:12
SLEQDQCV Drawn/Eng	MEDIUM, 6 ROPE FALLS			Folder
R&M MATERIALS HANDLING INC.	R&M MATERIALS HANDLING, INC HOIST & CRANE PRODUCTS SPRINGFIELD, OHIO	D007194-A		Issue 2