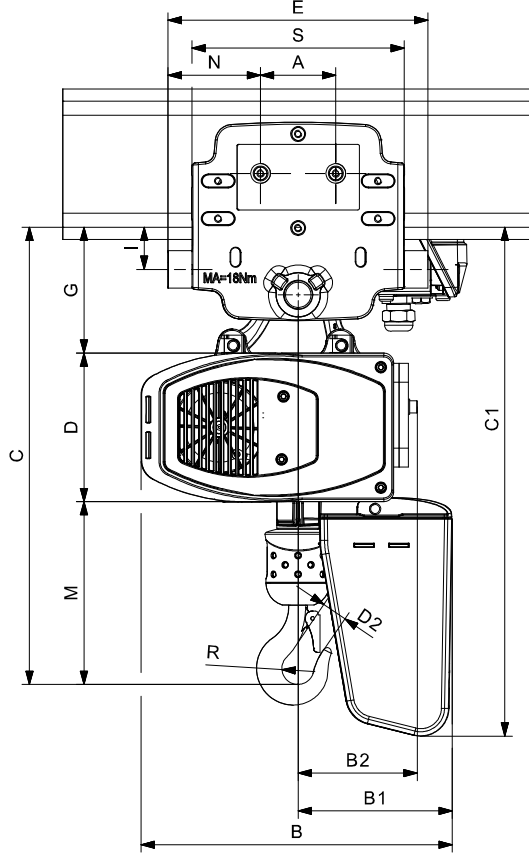
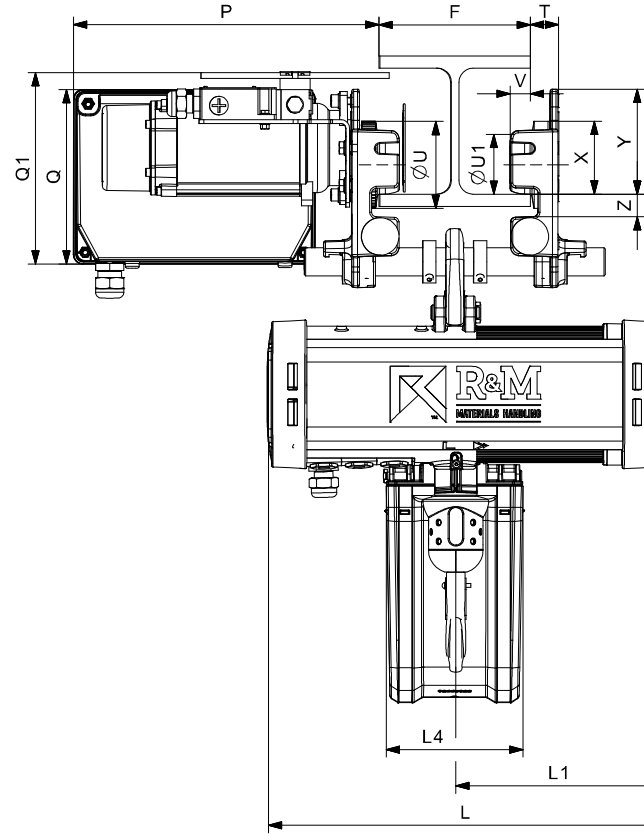


1/1 reeving, with long suspension bracket



More EU trolley dimensions can see dimensional drawing 56580974.



Rev	Description	ECN	Date	Revised by	Approved by
1	First version		2020-04-16	jiangfu	
4	Add "2-fall lifting height"		2021-12-03	jiangfu	
5	Change C-dimension and delete size 10 with M10 trolley.		2022-03-08	xure	
6	Update travelling motor with new inverter.		2022-03-17	xure	

Chain hoist	Trolley	Falls	A	B1	B2	C ¹⁾	C1			D	D2	E	F	G	I	L			L1			L4	M	N	B	P	Q	Q1 ⁴⁾	R	S	T	U	U1	V	X	Y	Z
							Chain collector size		Extension							Counterweight																					
							H6	H16	With ²⁾							With ³⁾	Without	With ²⁾	With ³⁾	Without																	
LR02	M10	1	80	159	116	463	525	627	144	19	276	58-310	132	45	509	/	392	210	/	209	145	187	98	294	321	187	203±13	15	226	30	92.5	62.5	21.5	78	111.5	25	
						460.5	522.5	624.5																													310-500
LR05	M10	1	80	163	127	493	540	641	158	21	276	58-310	133	45	549	/	417	220	/	220	145	202	98	330	321	187	203±13	17	226	30	92.5	62.5	21.5	78	111.5	25	
						490.5	537.5	638.5																													310-500
LR10	M32	1	161	196	144	584	600	688	194	27	394	58-310	147	50	610	634	478	231	255	231	201	243	116.5	408	362	187	224±33	21	344	38	149.5	100	21.5	125	132	30	
						580	596	684																													310-500

- 1) If chain hoist with $v=12$, $v=16$, $v=24$ m/min and frequency inverter hoisting (NEO) need two buffers, the c-dimension increase 48mm.
- 2) Extension and counterweight for frequency inverter hoisting (NEO) on LR05, Gear Limit Switch (GLS) on LR02&LR05&LR10 and Double Brake (DB) on LR02&LR05&LR10.
- 3) Extension and special counterweight for frequency inverter hoisting (NEO) on LR10.
- 4) With Travel limit switch configuration.

Chain hoist	Trolley	Chain size (mm)	Falls	Weight of chain (kg/m)	Estimated weight of hoist incl. EU trolley without chain (kg)			
					Standard	NEO	GLS	DB
LR02	M10	4.1 x 12.1	1	0.38	48	/	51	50
LR05	M10	5.1 x 15.1	1	0.62	57	63	61	60
LR10	M32	7.2 x 21.1	1	1.2	103	114	107	107

Approved	Date	Owner department	Folder	Size	Total weight	Sheet
Checked	Date	Title		A2	-	2/2
Designer	Date	Keywords				1:4
jiangfu	16-Apr-2020	size02;size05;size10				
Specification			Item ID	56966783		
EU TROLLEY-HOIST-R&M			Document ID	56966783-DRW1		Rev 6

This document and the information contained herein, is the exclusive property of R&M Materials Handling Inc. and represents a non-patented, confidential and proprietary trade secret of R&M Materials Handling Inc. All rights reserved. © 2020 R&M Materials Handling Inc.