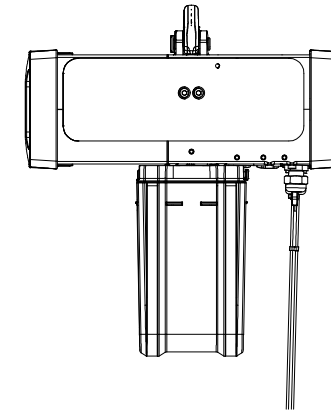
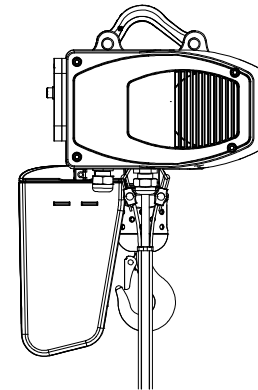
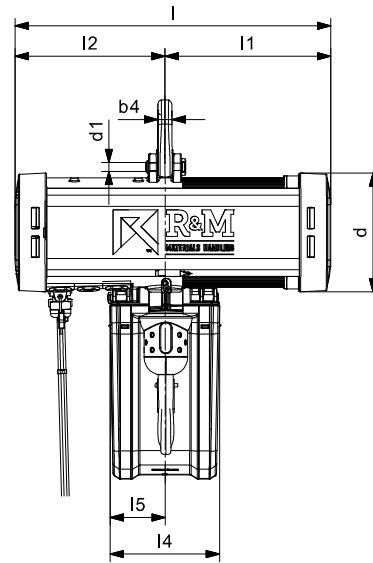
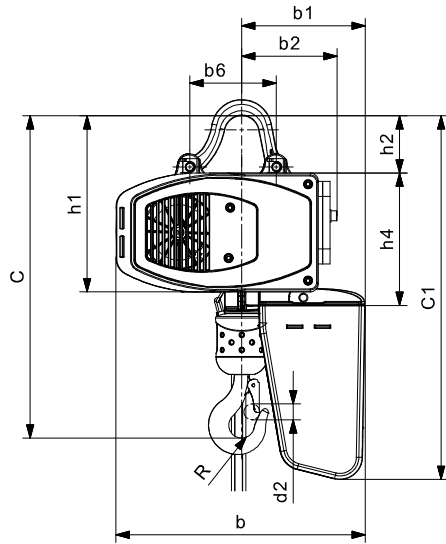


Rev	Description	ECN	Date	Revised by	Approved by
1	First version.		2020-03-27	chewens	
3	Add "2-fall lifting height"		2021-12-02	jiangfu	
4	Change C-dimension, add single phase hoist information.		2022-03-14	xure	
5	Remove short extension information.		2023-06-06	xure	

1/1 reeving, with long suspension bracket

1/1 reeving, with short suspension bracket



Chain hoist	Motor	Suspension bracket				b	b1	b2	l			l1			l2		l4	l5	b4	b6	d	d1	d2	R	Suspension bracket						
		Short ⁴⁾	Long	Short ⁴⁾	Long				Extension			Counterweight			Extension										Shrot ⁴⁾		h4				
									Chain collector size				With ²⁾	With ³⁾	Without	With ²⁾									With ³⁾	Without		With ²⁾³⁾	Without	h1	h2
		C ¹⁾																													
LR02	MT06MB104C	368	406	431	533	469	571	294	159	116	509	/	392	210	/	209	299	183	145	72	19	115	144	12	19	15	182	38	219	75	162
LR05	MT08MB104C	398	436	445	546	483	584	330	163	127	549	/	417	220	/	220	329	197	145	72	19	115	158	12	21	17	196	38	234	76	175
LR10	MT10SA104C	/	527	/	/	544	632	408	196	144	610	634	478	231	255	231	363	247	201	101	23	170	194	20	27	21	/	/	284	91	209

- 1) If chain hoist with $v=12$, $v=16$, $v=24$ m/min and frequency inverter hoisting (NEO) need two buffers, the C-dimension increase 48mm.
- 2) Extension and counterweight for frequency inverter hoisting (NEO) on LR05, Gear Limit Switch (GLS) on LR02&LR05&LR10, Double Brake (DB) on LR02&LR05&LR10 and Single Phase (1Ph) on LR05.
- 3) Extension and special counterweight for frequency inverter hoisting (NEO) on LR10.
- 4) Not suitable for every trolley.

Chain hoist	Chain size (mm)	Reeving	Weight of chain (kg/m)	Estimated weight of hoist without chain (kg)				
				Standard	NEO	GLS	DB	1PH
LR02	4.1 x 12.1	1/1	0.38	25	/	28	27	/
LR05	5.1 x 15.1	1/1	0.62	34	40	38	37	/
LR10	7.2 x 21.1	1/1	1.2	57	68	61	61	/

Approved	Date	Owner department	Folder	Size	Total weight	Sheet
Checked	Date	Title		A2	-	1/2
Designer	Date	Keywords				1:5
chewens	27-Mar-2020	size02;size05;size10				
Specification		Product/Project reference	Item ID	Document ID	Rev	
SINGLE HOIST-R&M			56818066	56818066-DRW1	5	