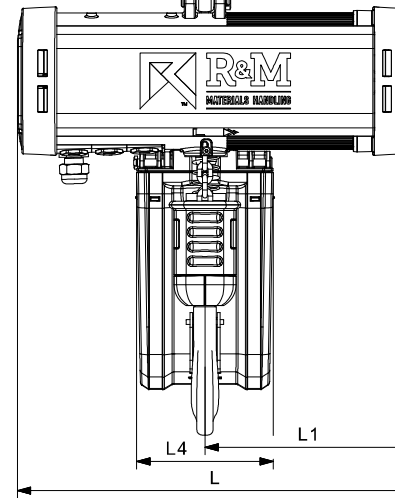
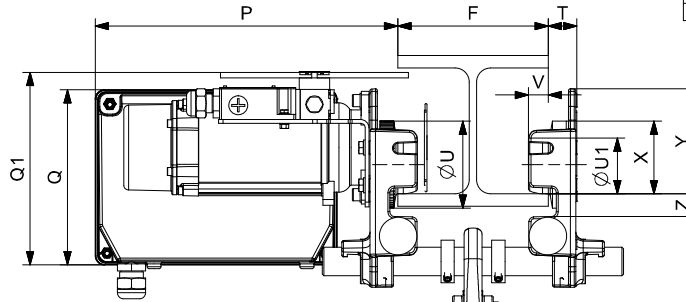
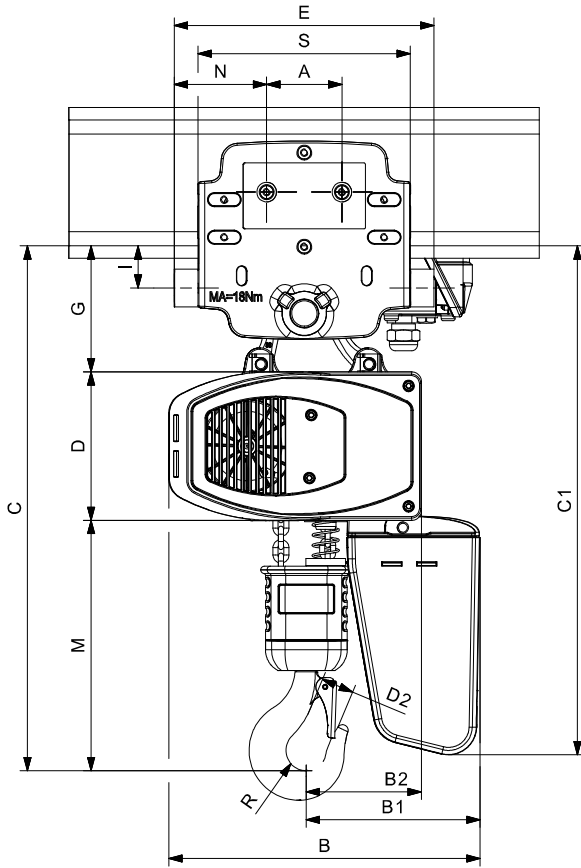


2/1 reeving, with long suspension bracket

More EU trolley dimensions can see dimensional drawing 56580974.

Rev	Description	ECN	Date	Revised by	Approved by
1	First version		2020-04-16	jiangfu	
4	Add "2-fall lifting height"		2021-12-03	jiangfu	
5	Change C-dimension and delete size 10 with M10 trolley.		2022-03-08	xure	
6	Update travelling motor with new inverter.		2022-03-17	xure	



Chain hoist	Trolley	Falls	A	B1	B2	C <sup>3)</sup>	C1			D	D2	E	F	G	I	L			L1			L4	M	N	B	P	Q	Q1 <sup>4)</sup>	R	S	T	U	U1	V	X	Y	Z
							Chain collector size									Extension			Counterweight																		
							H6 <sup>5)</sup>	H16 <sup>5)</sup>								With <sup>1)</sup>	With <sup>2)</sup>	Without	With <sup>1)</sup>	With <sup>2)</sup>	Without																
LR02	M10	2	80	182	127	513	525	627	144	22	276	58-310	132	45	508	/	392	210	/	209	145	237	98	294	321	187	203±13	17	226	30	92.5	62.5	21.5	78	111.5	25	
							510.5	522.5								624.5			310-500																		129.5
LR05	M10	2	80	186	125	546	540	641	158	27	276	58-310	133	45	549	/	417	220	/	220	145	255	98	330	321	187	203±13	21	226	30	92.5	62.5	21.5	78	111.5	25	
							543.5	537.5								638.5			310-500																		130.5
LR10	M32	2	161	229	157	648	600	688	194	33	394	58-310	147	50	610	634	478	231	255	231	201	307	116.5	408	362	187	224±33	24	344	38	149.5	100.5	21.5	125	132	30	
							644	596								684			310-500																		143

- 1) Extension and counterweight for frequency inverter hoisting (NEO) on LR05, Gear Limit Switch (GLS) on LR02& LR05& LR10 and Double Brake (DB) on LR02& LR05& LR10.
- 2) Extension and special counterweight for frequency inverter hoisting (NEO) on LR10.
- 3) Frequency inverter hoisting (NEO) need to use the longer spring switch, the c-dimension increase 75mm
- 4) With Travel limit switch configuration
- 5) In case of 2-fall hoist, available lifting height is half of the chain collector maximum capacity.

Chain hoist	Trolley	Chain size (mm)	Falls	Weight of chain (kg/m)	Estimated weight of hoist incl. EU trolley without chain (kg)			
					Standard	NEO	GLS	DB
LR02	M10	4.1 x 12.1	2	0.38	48	/	51	50
LR05	M10	5.1 x 15.1	2	0.62	53	59	57	56
LR10	M32	7.2 x 21.1	2	1.2	98	109	102	102

Approved	Date	Owner department	Folder	Size	Total weight	Sheet
Checked	Date	Engineering:ECH-N		A2	-	1/2
Designer	Date	Title		Scale		1:4
jiangfu	16-Apr-2020	DIMENSION DRAWING				
Keywords		size02;size05;size10		Rev		6
Process/Project reference		EU TROLLEY-HOIST-R&M		Item ID		
Specification		56966783		Document ID		
R&M		56966783-DRW1				

This document and the information contained herein, is the exclusive property of R&M Meridals Hoisting Inc. and represents a non-patented, confidential and proprietary trade secret. No part of this document may be reproduced, stored in a retrieval system, or transmitted in any form or by any means, electronic, mechanical, photocopying, recording, or by any information storage and retrieval system, without the express written consent of R&M Meridals Hoisting Inc. © 2020 R&M Meridals Hoisting Inc. All rights reserved.