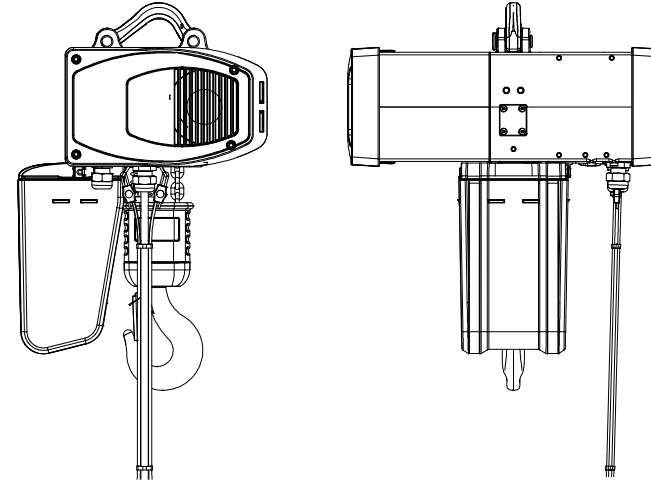
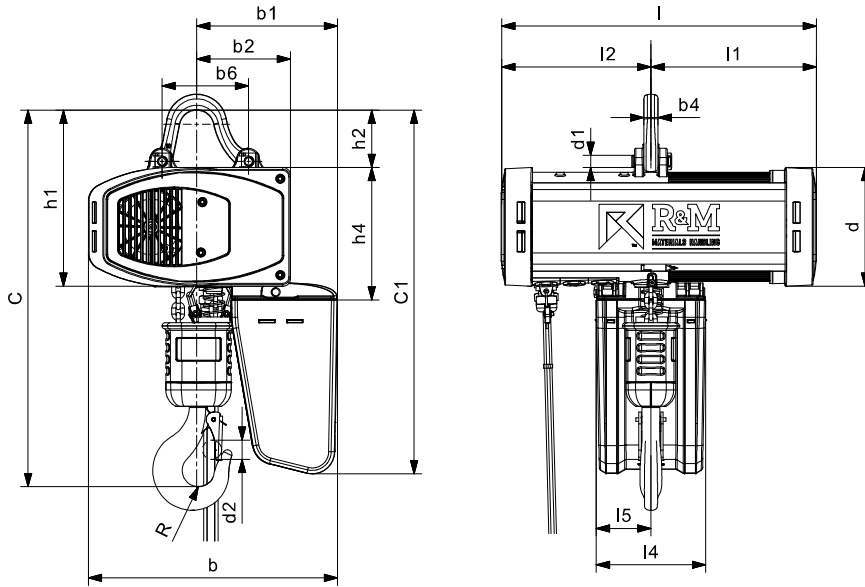


Rev	Description	ECN	Date	Revised by	Approved by
1	First version.		2020-03-27	chewens	
3	Add "2-fall lifting height"		2021-12-02	jiangfu	
4	Change C-dimension, add single phase hoist information.		2022-03-14	xure	
5	Remove short extension information.		2023-06-06	xure	

2/1 reeving, with long suspension bracket

2/1 reeving, with short suspension bracket



Chain hoist size	Motor	Suspension bracket				b	b1	b2	l			l1			l2		l4	l5	b4	b6	d	d1	d2	R	Suspension bracket				h4		
		Short <sup>3)</sup>	Long	Short <sup>3)</sup>	Long				Chain collector size			Extension			Counterweight										Extension		Short <sup>3)</sup>	Long			
									C <sup>4)</sup>			Without	With <sup>1)</sup>	With <sup>2)</sup>	Without	With <sup>1)</sup>									With <sup>2)</sup>	Without				With <sup>1)2)</sup>	Without
		H6 <sup>5)</sup>	H16 <sup>5)</sup>	H6 <sup>5)</sup>	H16 <sup>5)</sup>				Without	With <sup>1)</sup>	With <sup>2)</sup>																Without	With <sup>1)2)</sup>			
LR02	MT06MB104C	418	456	431	533	469	571	294	182	127	With <sup>1)</sup>	With <sup>2)</sup>	Without	With <sup>1)</sup>	With <sup>2)</sup>	Without	With <sup>1)2)</sup>	Without	145	72	19	115	144	12	22	17	182	38	219	75	162
LR05	MT08MB104C	451	489	445	546	483	584	330	186	125	Without	/	417	220	/	220	329	197	145	72	19	115	158	12	27	21	196	38	234	76	175
LR10	MT10SA104C	/	591	/	/	544	632	408	229	157	Without	/	478	255	255	231	363	247	201	101	23	170	194	20	33	24	/	/	284	91	209

- 1) Extension and counterweight for frequency inverter hoisting (NEO) on LR05, Gear Limit Switch (GLS) on LR02&LR05&LR10, Double Brake (DB) on LR02&LR05&LR10 and Single Phase (1Ph) on LR05.
- 2) Extension and special counterweight for frequency inverter hoisting (NEO) on LR10.
- 3) Not suitable for every trolley
- 4) Frequency inverter hoisting (NEO) need to use the longer spring switch, the c-dimension increase 75mm.
- 5) In case of 2-fall hoist, available lifting height is half of the chain bag maximum capacity.

Chain hoist size	Chain size (mm)	Reeving	Weight of chain (kg/m)	Estimated weight of hoist without chain (kg)			
				Standard	NEO	GLS	DB
LR02	4.1 x 12.1	2/1	0.38	25	/	28	27
LR05	5.1 x 15.1	2/1	0.62	30	36	34	33
LR10	7.2 x 21.1	2/1	1.2	52	63	56	56

Approved	Date	Owner department	Folder	Size	Total weight	Sheet
Checked	Date	Engineering:ECH-N		A2	-	2/2
Designer	Date	Title				Scale
chewens	27-Mar-2020	DIMENSION DRAWING				1:5
Keywords		size02:size05:size10				
Process/Project reference		Item ID				
		56818066				
Specification		Document ID				
SINGLE HOIST-R&M		56818066-DRW1				Rev
						5