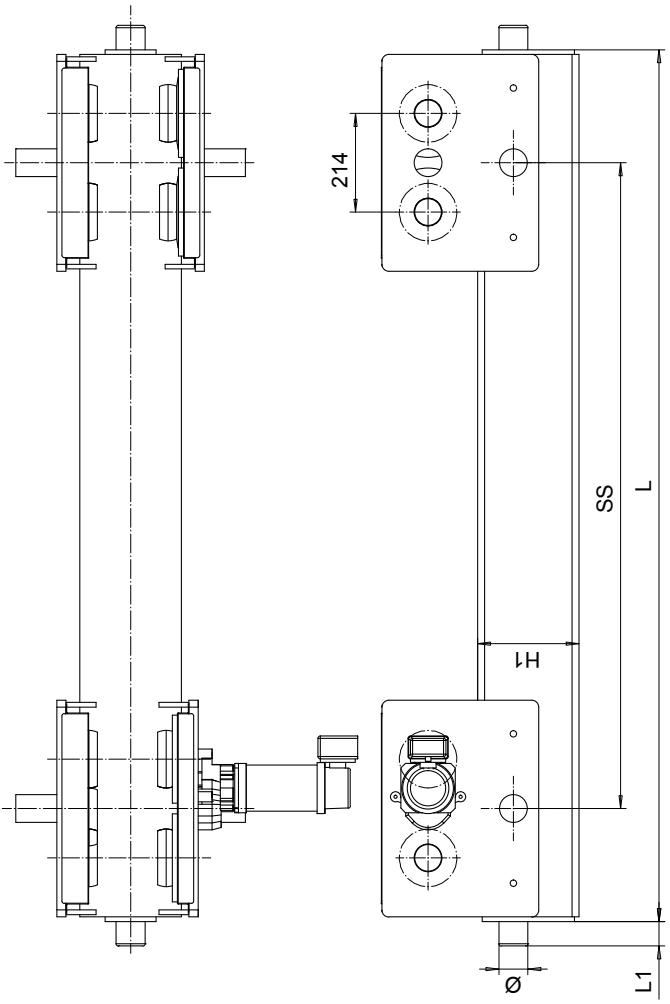


This document is the absolute property of R&M Materials Handling, Inc. This document must not be copied without the written permission of R&M Materials Handling, Inc. The contents thereof must not be disclosed to a third party nor be used for any unauthorized purpose. Contravention will be prosecuted.

### RU13 UNDER RUNNING END TRUCK

Buffer type	L1 (mm)	Ø (mm)
A	53	63
B	68	80
C	85	100
D	105	125
E	150	100
F	190	125
G	100	100
K	80	80
M	125	125
A, B, C, D rubber		
E, F, G, K, M polyurethane		

Flange width range, B (mm)	L2 (mm)	L3 (mm)	L4 (mm)	WIDTH (mm)
100 - 179	36	32	52	418
180 - 259	36	32	52	498
260 - 343	36	32	52	578
64 - 143 patented trk	20	50	70	418
144 - 223 patented trk	20	50	70	498



Wheelbase, SS (mm)	Max Dyn. Corner Load (kN)	L (mm)	Approx. Wt. (kg)	H (mm)	H1 (mm)
1200	80.5	1690	300	265	220
1400	80.5	1890	314	265	220
1800	80.5	2290	343	265	220
2300	80.5	2790	378	265	220
2800	80.5	3290	453	285	240
3200	72	3690	486	285	240
3500	65	3990	511	285	240

Pos	Description	Specification	Id	Drawing
DESIGN	RUT13A	RUT13A		
DATE	2008-08-11	END TRUCK		
DEPT	SELECOO27	OUTLINE DRAWING		
PROJ	R&M MATERIALS HANDLING, INC.	RU13		
REV		RU13 END TRUCK		
DATE				
BY				
CHECKED				
APPROVED				